

Job Name:	
Tag#	



Submittal Data Sheet	FDXS12LVJU
1-Ton Ducted Concealed Indoor Unit	



Indoor Specifications				
	Cooling		Heating	
	H	M	H	M
Airflow Rate (cfm)	305	280	305	280
	L	SL	L	SL
	260	235	260	235
Sound (dBA) H / M / L	35 / 33 / 31		35 / 33 / 31	
Dimensions (H x W x D) (in)	7-7/8 x 27-9/16 x 24-7/16			
Weight (Lbs)	47			
Nominal Capacity (Btu/hr)	12,000			

*See Outdoor Unit for Rated Capacities

Complete warranty details available from your local dealer or at www.daikincomfort.com. To receive the 12-Year Parts Limited Warranty, online registration must be completed within 60 days of installation. Online registration is not required in California or Quebec. *If product is installed in a commercial application, limited warranty period is 5 years.*

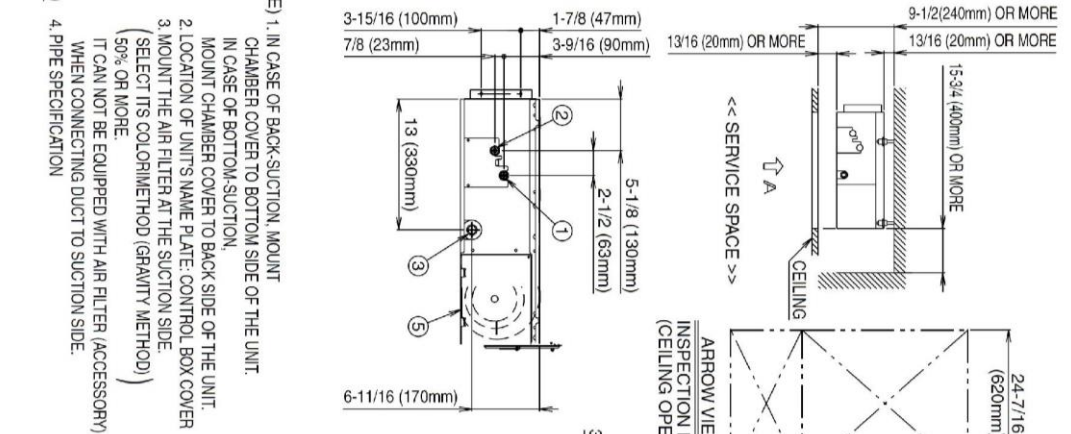
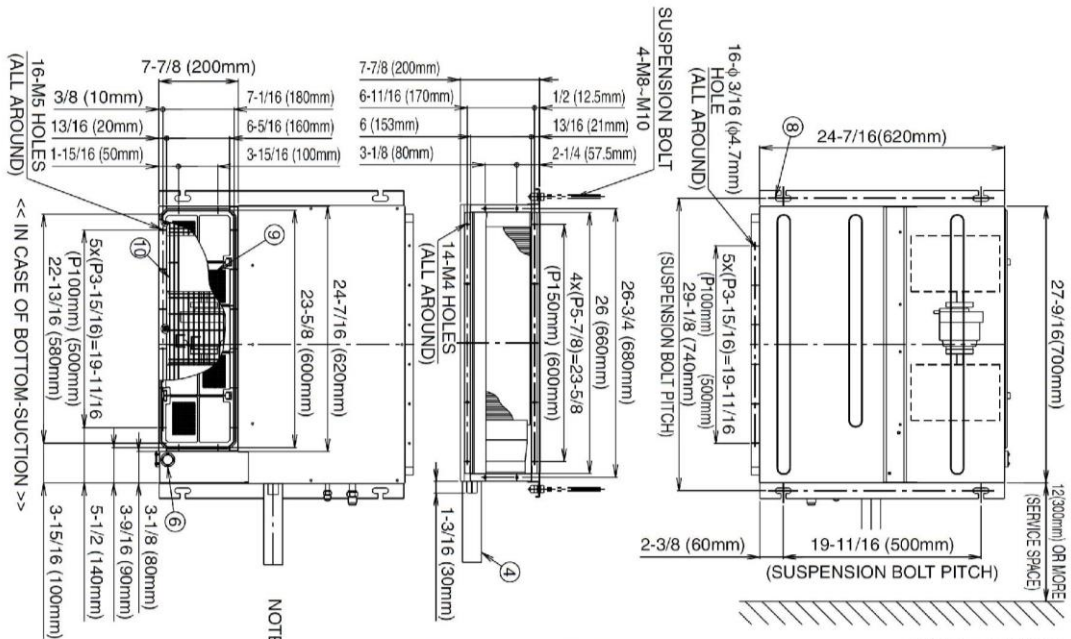
Piping	
Liquid (in)	1/4
Gas (in)	3/8
Drain (in)	25/32

Electrical	*208/230V	
	Cooling	Heating
Running Current (Rated) (A)	.58/.52*	.58.52*
Power Consumption (Rated) (W)	72/72*	72/72*

Optional Accessories

Included	Part Number	Description
	BRP072A43	Wireless Interface Adapter
	BRC944B2-A08	Wired Remote Controller
	BRCW901A08	Wired Remote Controller Cord - 3m
	DACA-BRCW901P10	Remote Controller Cable, Plenum Rated, 10 ft
	DACA-BRCW901P25	Remote Controller Cable, Plenum Rated, 25 ft
	DACA-ARCW901P10	IR Receiver Cable, Plenum Rated, 10ft
	DACA-ARCW901P25	IR Receiver Cable, Plenum Rated, 25ft
	DACA-TS1-1	Daikin ENVi Intelligent Thermostat Kit
	DACA-CP2-1	Maxi Orange Condensate Pump
	DACA-CP3-1	Mini Condensate Pump 5 gph
	KRP928BB2S	Interface Adaptor for DIII-NET

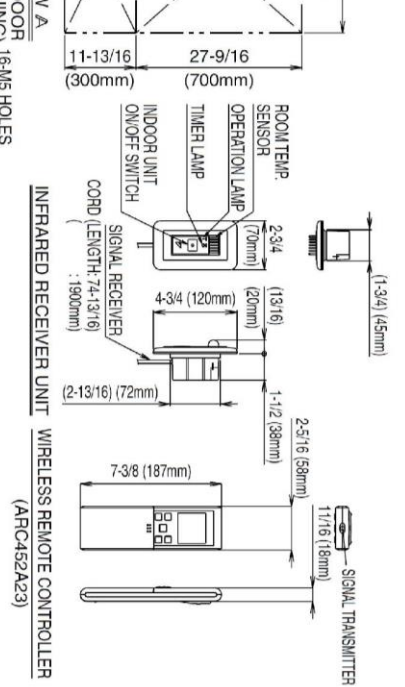
FDXS12LVJU Dimensional Data



NOTE 1. IN CASE OF BACK-SUCTION, MOUNT CHAMBER COVER TO BOTTOM SIDE OF THE UNIT.
 2. LOCATION OF UNIT'S NAME PLATE: CONTROL BOX COVER (SELECT ITS COLOR/METHOD (GRAVITY METHOD)) (50% OR MORE)
 3. MOUNT THE AIR FILTER AT THE SUCTION SIDE WHEN CONNECTING DUCT TO SUCTION SIDE.
 4. PIPE SPECIFICATION

NUMBER	NAME	DESCRIPTION
10	PROTECTION NET	
9	AIR FILTER (ACCESSORY)	
8	SUSPENSION BRACKET	
7	POWER SUPPLY CONNECTION	
6	INFRARED RECEIVER UNIT CONNECTION	
5	CONTROL BOX	
4	DRAIN HOSE (ACCESSORY) I.D. φ31-3/32 (φ25mm) (OUTLET)	
3	SOCKET FOR DRAIN W/P20 (O.D. φ1-1/32 (φ26mm) I.D. φ25/32 (φ20mm))	
2	GAS PIPE CONNECTION φ3/8 (φ9.5mm) (FLARE CONNECTION)	
1	LIQUID PIPE CONNECTION φ1/4 (φ6.4mm) (FLARE CONNECTION)	

3D074619



Daikin North America LLC 5151 San Felipe, Suite 500 Houston, TX 77056

(Daikin's products are subject to continuous improvements. Daikin reserves the right to modify product design, specifications and information in this data sheet without notice and without incurring any obligations)