

# PRODUCT INFORMATION PACKET



Model No: FDL6001A  
Catalog No: FDL6001A  
1/2-1/6 HP Fan & Blower Motor, 1075 RPM, 4 Speed, 115 Volts, 48 Frame, OAO  
Direct Drive Motors



Regal and Century are trademarks of Regal Beloit Corporation or one of its affiliated companies.  
©2020 Regal Beloit Corporation, All Rights Reserved. MC017097E





**Nameplate Specifications**

Output HP	1/2-1/6 Hp	Output KW	0.37 kW
Frequency	60 Hz	Voltage	115 V
Current	7.0 A	Speed	1075 rpm
Service Factor	1	Phase	1
Duty	Air Over	Insulation Class	F
Frame	48	Enclosure	Open Enclosed
Thermal Protection	Automatic	Ambient Temperature	40 °C
UL	Recognized	CSA	Y
CE	N		

**Technical Specifications**

Electrical Type	Permanent Split Capacitor	Starting Method	Across The Line
Poles	6	Rotation	Reversible
Mounting	Resilient Ring/Extended Studs	Motor Orientation	Horizontal
Drive End Bearing	Sleeve	Opp Drive End Bearing	Sleeve
Frame Material	Rolled Steel	Shaft Type	Flat
Overall Length	10.36 in	Frame Length	4.25 in
Shaft Diameter	0.500 in	Shaft Extension	5.0 in
Connection Drawing	614131-265	Outline Drawing	FDL6001A-S01

This is an uncontrolled document once printed or downloaded and is subject to change without notice. Date Created:06/11/2020

**GENERAL INFORMATION:**

SHAFT RUNOUT: .001 [.03] T.I.R. PER INCH LENGTH OF EXTENSION

END PLAY: .010 TO .063 [.25 TO 1.60]

BEARINGS: SLEEVE

MOUNTING POSITION: HORIZONTAL

**ELECTRICAL DATA:**

OVERLOAD PROTECTOR: AUTOMATIC RESET (SENSATA 7AM 036)

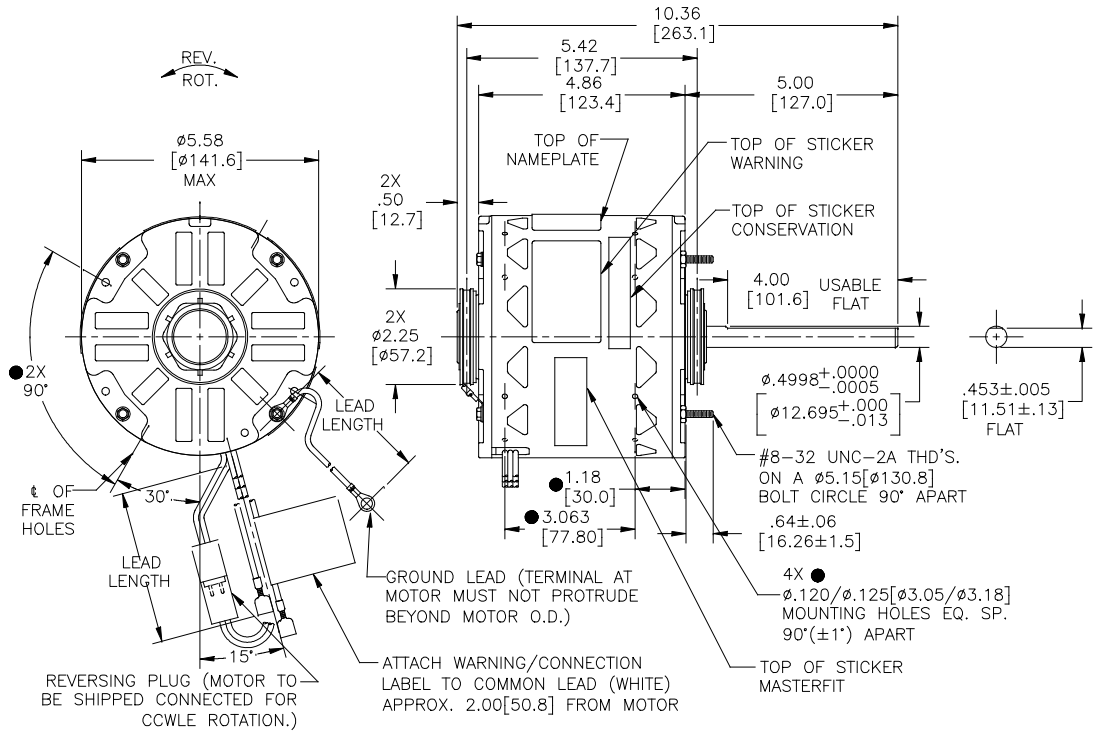
LINE LEADS: NO. 18 GA., .03[.8] THK. XLP 125°C INSUL.

REVERSING PLUGS: NO. 18 GA., .03[.8] THK. XLP 125°C INSUL.

GROUND LEAD: NO. 18 GA., .03[.8] THK. (GREEN) INSUL.

**NOTES:**

- DENOTES CRITICAL CHARACTERISTICS.
- (4) SPLIT RING ADAPTOR 615035 (OR 53P26-1 ONLY USED IN MEXICO), (8) SCREWS 615982-001, (1) 2518746-001 CLAMP AND (1) CAPACITOR 2509074-001 TO BE PUT IN A POLYBAG & BE PACKED WITH EACH MOTOR.
- THE SYMBOL OF CTQ: ▲ (NO CTQ ON THIS DRAWING).
- MEET THE REQUIREMENT OF RoHS & REACH, SEE EP000014\_5.1.



GREEN (GROUND)	9.0/11.0 [229/279]	.25[6.4] RING
BLACK/WHITE	3.0/5.0 [76/127]	REVERSING PLUG
BROWN	36.5/39.5 [927/1003]	.25[6.4] FEMALE
BROWN/WHITE	36.5/39.5 [927/1003]	.25[6.4] FEMALE
RED	36.5/39.5 [927/1003]	.25[6.4] FEMALE
YELLOW	36.5/39.5 [927/1003]	.25[6.4] FEMALE
BLUE	36.5/39.5 [927/1003]	.25[6.4] FEMALE
BLACK	36.5/39.5 [927/1003]	.25[6.4] FEMALE
WHITE	36.5/39.5 [927/1003]	.25[6.4] FEMALE
COLOR	LENGTH	TERMINAL OR STRIP LENGTH

REGAL-BELOIT CORPORATION (RBC) PROVIDES TECHNICAL ASSISTANCE TO OUR CUSTOMERS IN SEVERAL AREAS. SINCE RBC DOES NOT RECEIVE ALL DATA CONCERNING THE USE AND APPLICATION OF THE MOTOR, THE SUITABILITY OF THE MOTOR FOR THE APPLICATION MUST BE DETERMINED BY THE CUSTOMER.

DIMENSIONS WITHOUT TOLERANCES ARE FOR REFERENCE ONLY.

MAIN FRAME - OLE	OPEN
END FRAME - OLE	OPEN
MAIN FRAME - LE	OPEN
END FRAME - LE	OPEN

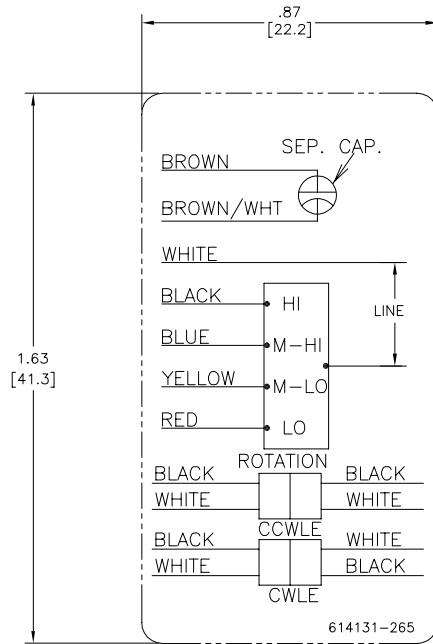
CUSTOMER DISTRIBUTION SERVICE

<b>NAMEPLATE DATA:</b>	<b>EXTERNAL CONNECTION DIAGRAM</b>
MODEL NO.: F48AD79A01 CUST. P/N: FDL6001A HP: 1/2 MAX. ROT.: REVERSIBLE RPM: 1075/4 SPD. TYPE: UF FRAME: 48 VOLTS: 115 PH: 1 AMPS: 7.0 MAX. HZ: 60 INS.: B AMB.: 40° C DUTY: AIR OVER CAP.: 10 MFD/370 V ENCL: OPEN UL LOGO CSA LOGO THERMALLY PROTECTED	<p>BROWN SEP. CAP. </p> <p>BRN/WHT </p> <p>WHITE </p> <p>BLACK HI</p> <p>BLUE MH</p> <p>YELLOW ML</p> <p>RED LO</p> <p>ROTATION</p> <p>BLACK CCWLE</p> <p>WHITE CWLE</p> <p>WHITE</p> <p>BLACK</p> <p>WHITE</p> <p>614131-265</p>

PERFORMANCE CURVE NO.	TORQUE @1075 RPM (25°C)	APPROVED SAMPLE	UL COMPONENT	CSA
C31866	49.5 OZ. FT.	99AC165A	E46412 PRGY2	LR43341 4211-01

DRAWING REVISION/REVISION BY		DATE	ENCLOSURE	DRAWN BY: R.RASCON	DATE: 04-28-2011	APPROVED BY: L.GRADO	DATE: 04-28-2011	REFERENCE	MATERIAL	SIZE DWG NO	PROCESS/FINISH	SHEET
ECO-0177361 APPROVED BY: KEYUN.GONG		DATE: 11-21-2019										
<p>THIRD ANGLE PROJECTION </p> <p>REGAL Beloit America, Inc. All rights reserved. INFORMATION AND CONFIDENTIAL INFORMATION - THIS DOCUMENT IS THE PROPERTY OF REGAL BELOIT AMERICA, INC. ("OWNER") AND CONTAINS OWNER'S PROPRIETARY INFORMATION. ANY PERSON, CORPORATION OR OTHER FIRM RECEIVING IT IS DEMAND, BY RECEIVING IT, TO AGREE THAT IT, AND/OR ANY PART OF IT, SHALL NOT BE DISCLOSED TO ANY PERSON, CORPORATION OR OTHER ENTITY, EMPLOYED, AND/OR USED EXCEPT AS EXPRESSLY APPROVED IN WRITING BY OWNER. THIS DOCUMENT SHALL BE RETURNED TO OWNER UPON REQUEST. IT MAY BE SUBJECT TO CERTAIN RESTRICTIONS UNDER APPLICABLE EXPORT CONTROL LAWS AND REGULATIONS.</p>												

REV	ECO	REV BY	DATE	APPD	DATE
C	0029048	D.RODRIGUEZ	10-18-2012	J.HESS	10-18-2012



NOTES:

1. FOR USE WITH 614129 NAMEPLATE BLANK
2. --- --- INDICATES DIMENSION LIMITS
3. DIE TO BE MADE FROM MASTER SUPPLIED BY REGAL
4. DIE MUST PRODUCE A LEGIBLE IMPRESSION.

<p>GEOMETRIC CHARACTERISTICS &amp; SYMBOLS</p> <ul style="list-style-type: none"> <li>□ FLATNESS</li> <li>— STRAIGHTNESS</li> <li>∠ ANGULARITY</li> <li>⊥ PERPENDICULARITY (SQUARENESS)</li> <li>// PARALLELISM</li> <li>○ ROUNDNESS (CIRCULARITY)</li> <li>⊘ CYLINDRICITY</li> <li>⌒ PROFILE OF ANY SURFACE</li> <li>⌒ PROFILE OF ANY LINE</li> <li>⌀ RUNOUT</li> <li>⊕ TRUE POSITION</li> <li>◎ CONCENTRICITY</li> <li>⊖ SYMMETRY</li> </ul> <p>ASME Y14.5M 1994</p>
--

<p>UNLESS OTHERWISE SPECIFIED DIM. TOLERANCES ARE AS FOLLOWS:</p> <p>INCH X XX XXX XXXX  <math>\pm 1</math> <math>\pm 02</math> <math>\pm 005</math> <math>\pm 0005</math></p> <p>mm <math>\pm 0.5</math> <math>\pm 0.13</math> <math>\pm 0.013</math></p> <p>ANG. <math>\pm 50</math> DEG</p> <p>REMOVE BURRS &amp; BREAK SHARP EDGES:          INCH .003-.015 mm 0.1-.04</p> <p>CORNER FILLETS TO:          INCH .020 mm 0.5</p> <p>MACHINE SURFACES:          INCH <math>125</math> mm 3.2</p> <p>METRIC DIMS. SHOWN IN [BRACKETS]</p>
---

DR BY:	JZ	03-31-2011
APPD:	CZ	03-31-2011
THIRD ANGLE PROJECTION		EDS DATE 11-11-2011 FORMAT REV H
<p>CONFIDENTIAL: THIS DRAWING AND ITS INFORMATION ARE THE EXCLUSIVE AND CONFIDENTIAL PROPERTY OF REGAL-BELOIT CORPORATION AND ARE NOT TO BE DISCLOSED, DUPLICATED, DISTRIBUTED OR OTHERWISE USED WITHOUT THE WRITTEN CONSENT OF REGAL-BELOIT CORPORATION. -ALL RIGHTS RESERVED.</p>		

<b>REGAL-BELOIT CORPORATION</b>	
DESCRIPTION	
CONN DIAGRAM-NAMEPLATE	
SIZE	DWG NO
C	614131-265
SCALE	SHEET
NONE	1