

# PRODUCT INFORMATION PACKET



Model No: FDL6001  
Catalog No: FDL6001  
1/2 HP Fan & Blower Motor, 1075 RPM, 4 Speed, 115 Volts, 48 Frame, OAO  
Direct Drive Motors



Regal and Century are trademarks of Regal Beloit Corporation or one of its affiliated companies.  
©2020 Regal Beloit Corporation, All Rights Reserved. MC017097E





**Nameplate Specifications**

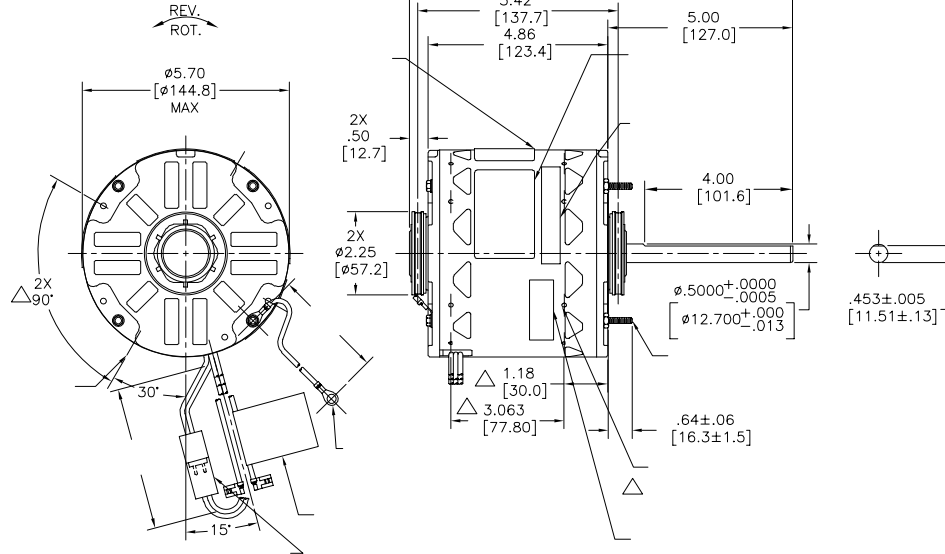
Output HP	1/2 MAX Hp	Output KW	0.37 kW
Frequency	60 Hz	Voltage	115 V
Current	7.0 MAX A	Speed	1075 rpm
Service Factor	1	Phase	1
Duty	Air Over	Insulation Class	B
Frame	48Y	Enclosure	Open Enclosed
Thermal Protection	Automatic	Ambient Temperature	40 °C
UL	Recognized	CSA	Y
CE	N		

**Technical Specifications**

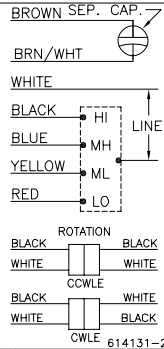
Electrical Type	Permanent Split Capacitor	Starting Method	Across The Line
Poles	6	Rotation	Reversible
Mounting	Resilient Ring/Extended Studs	Motor Orientation	Horizontal
Drive End Bearing	Sleeve	Opp Drive End Bearing	Sleeve
Frame Material	Rolled Steel	Shaft Type	Flat
Overall Length	10.36 in	Frame Length	4.25 in
Shaft Diameter	0.500 in	Shaft Extension	5 in
Connection Drawing	614131-265	Outline Drawing	FDL6001-S01

This is an uncontrolled document once printed or downloaded and is subject to change without notice. Date Created:06/11/2020

版本	ECO	编制	日期	核准	日期
A	0030326	J.M.RAMIREZ	02-08-2013	S.JIMENEZ	02-08-2013



MODEL NO.: F48N78A01  
 CUST. P/N:  
 HP: 1/2 MAX.  
 ROT.: REVERSIBLE  
 RPM: 1075/4 SPD.  
 TYPE: UF  
 FRAME: 48Y  
 VOLTS: 115  
 PH: 1  
 AMPS: 7.0 MAX.  
 HZ: 60  
 INS.: B  
 AMB.: 40° C  
 DUTY: AIR OVER  
 CAP.: 10 MFD/370 V  
 ENCL: OPEN  
 UL LOGO  
 CSA LOGO  
 THERMALLY PROTECTED



	9.0/11.0
	[229/279]
	3.0/5.0
	[76/127]
	36.5/39.5
	[927/1003]
	36.5/39.5
	[927/1003]
	36.5/39.5
	[927/1003]
	36.5/39.5
	[927/1003]
	36.5/39.5
	[927/1003]
	36.5/39.5
	[927/1003]
	36.5/39.5
	[927/1003]

C31866	49.5 OZ. FT.	99AC165A	E46412	PRGY2	LR43341	4211-01
--------	--------------	----------	--------	-------	---------	---------

REGAL-BELOIT CORPORATION (RBC) 在个别领域为客户提供技术支持。鉴于RBC未收到任何涉及电机使用和应用环境的数据，电机的适用性由客户自己决定。

未注公差尺寸仅供参考。

除图： J.M.RAMIREZ 02-08-2013  
 批准： CH.MCREYNOLDS 02-08-2013  
 第三角投影 图纸格式发布日期 02-22-2008  
 图纸格式版本 C  
 机密：本图纸及相关信息所有权归REGAL-BELOIT CORPORATION。未经REGAL-BELOIT CORPORATION书面授权，不得泄露、复制或传播作其他用途。--版权所有



MODEL-RFHP-48FR  
 OUTLINE

名称	MODEL-RFHP-48FR OUTLINE	
图号	C	FDL6001
比例	NONE	页号 1

- 形位公差
- 平面度
- 直线度
- ∠ 倾斜度
- ⊥ 垂直度
- ∥ 平行度
- 圆度
- ⊙ 圆跳动
- ⊖ 圆轮廓度
- ⊖ 线轮廓度
- ⊖ 圆跳动
- ⊖ 位置度
- ⊖ 对称度

ASME Y14.5M 1994

REV	ECO	REV BY	DATE	APPD	DATE
A	0030326	J.M.RAMIREZ	02-08-2013	S.JIMENEZ	02-08-2013

**GENERAL INFORMATION:**

SHAFT RUNOUT: .001[.03] T.I.R. PER INCH LENGTH OF EXTENSION  
 END PLAY: .010 TO .063[.25 TO 1.60]  
 BEARINGS: SLEEVE  
 MOUNTING POSITION: HORIZONTAL

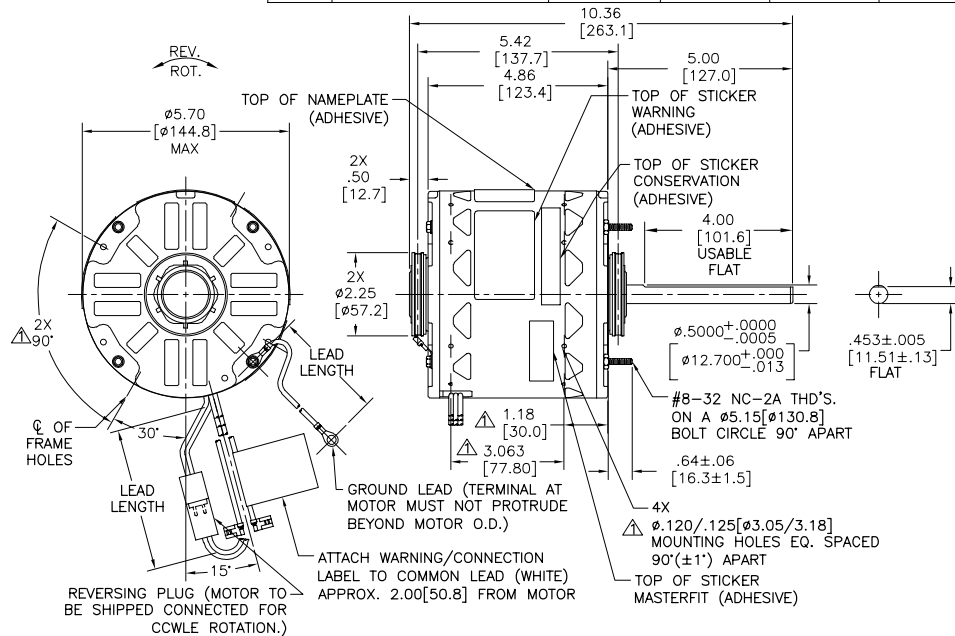
**ELECTRICAL DATA:**

OVERLOAD PROTECTOR: AUTOMATIC RESET (SENSATA 7AM 036)  
 LINE LEADS: NO. 18 GA., .03[.8] THK. XLP 125°C INSUL.  
 REVERSING PLUGS: NO. 18 GA., .03[.8] THK. XLP 125°C INSUL.  
 GROUND LEAD: NO. 18 GA., .03[.8] THK. (GREEN) INSUL.

**NOTES:**

- Δ DENOTES CRITICAL CHARACTERISTICS
- 2. (4) SPLIT RING ADAPTOR 53P26-1, (8) SCREWS 615982-001 TO BE PUT IN A POLYBAG & BE PACKED WITH EACH MOTOR
- 3. DISTRIBUTION: CUST. P/N: FDL6001 GRAINGER: CUST. P/N: 4ME32

SEE NOTE 3



COLOR	LENGTH	TERMINAL OR STRIP LENGTH
GREEN (GROUND)	9.0/11.0 [229/279]	.25[6.4] RING
BLACK/WHITE	3.0/5.0 [76/127]	REVERSING PLUG
BROWN	36.5/39.5 [927/1003]	.25[6.4] FLAG
BROWN/WHITE	36.5/39.5 [927/1003]	.25[6.4] FLAG
RED	36.5/39.5 [927/1003]	.25[6.4] FLAG
YELLOW	36.5/39.5 [927/1003]	.25[6.4] FLAG
BLUE	36.5/39.5 [927/1003]	.25[6.4] FLAG
BLACK	36.5/39.5 [927/1003]	.25[6.4] FLAG
WHITE	36.5/39.5 [927/1003]	.25[6.4] FLAG

MAIN FRAME - OLE	OPEN
END FRAME - OLE	OPEN
MAIN FRAME - LE	OPEN
END FRAME - LE	OPEN

CUSTOMER	DISTRIBUTION SERVICE
----------	----------------------

NAMEPLATE DATA:	EXTERNAL CONNECTION DIAGRAM
MODEL NO.: F48N78A01 CUST. P/N: HP: 1/2 MAX. ROT.: REVERSIBLE RPM: 1075/4 SPD. TYPE: UF FRAME: 48Y VOLTS: 115 PH: 1 AMPS: 7.0 MAX. HZ: 60 INS.: B AMB.: 40° C DUTY: AIR OVER CAP.: 10 MFD/370 V ENCL: OPEN UL LOGO CSA LOGO THERMALLY PROTECTED	BROWN SEP. CAP. BRN/WHT WHITE BLACK → HI BLUE → MH YELLOW → ML RED → LO ROTATION BLACK → CCWLE WHITE → CWLE

PERFORMANCE CURVE NO.	TORQUE @1075 RPM (25°C)	APPROVED SAMPLE	UL COMPONENT		CSA	
C31866	49.5 OZ. FT.	99AC165A	FILE#	GUIDE#	FILE#	GUIDE#
			E46412	PRGY2	LR43341	4211-01

**GEOMETRIC CHARACTERISTICS & SYMBOLS**

- FLATNESS
- STRAIGHTNESS
- ∠ ANGULARITY
- ⊥ PERPENDICULARITY (SQUARENESS)
- ∥ PARALLELISM
- ROUNDNESS (CIRCULARITY)
- ⊘ CYLINDRICITY
- ⌒ PROFILE OF ANY SURFACE
- ⌒ PROFILE OF ANY LINE
- ⊘ RUNOUT
- ⊕ TRUE POSITION
- ⊙ CONCENTRICITY
- SYMMETRY

ASME Y14.5M 1994

REGAL-BELOIT CORPORATION (RBC) PROVIDES TECHNICAL ASSISTANCE TO OUR CUSTOMERS IN SEVERAL AREAS. SINCE RBC DOES NOT RECEIVE ALL DATA CONCERNING THE USE AND APPLICATION OF THE MOTOR, THE SUITABILITY OF THE MOTOR FOR THE APPLICATION MUST BE DETERMINED BY THE CUSTOMER.

DIMENSIONS WITHOUT TOLERANCES ARE FOR REFERENCE ONLY.

DR BY: J.M.RAMIREZ 02-08-2013  
 APPD: CH.MCREYNOLDS 02-08-2013  
 THRD ANGLE PROJECTION

EDS DATE 02-22-2008  
 FORMAT REV C

CONFIDENTIAL: THIS DRAWING AND ITS INFORMATION ARE THE EXCLUSIVE AND CONFIDENTIAL PROPERTY OF REGAL-BELOIT CORPORATION AND ARE NOT TO BE DISCLOSED, DUPLICATED, DISTRIBUTED OR OTHERWISE USED WITHOUT THE WRITTEN CONSENT OF REGAL-BELOIT CORPORATION. -ALL RIGHTS RESERVED.

DESCRIPTION: MODEL-RFHP-48FR OUTLINE

SIZE: C DWG NO: FDL6001

SCALE: NONE SHEET: 1

INFORMACION GENERAL:

OSCILACION DE FLECHA .001[.03] L.T.I. LONGITUD DE EXTENSION  
 JUEGO AXIAL: .010 A .063[.25 A 1.60]  
 BALEROS: MANGA  
 POSICION DEL MONTAJE HORIZONTAL

INFORMACION ELECTRICA:

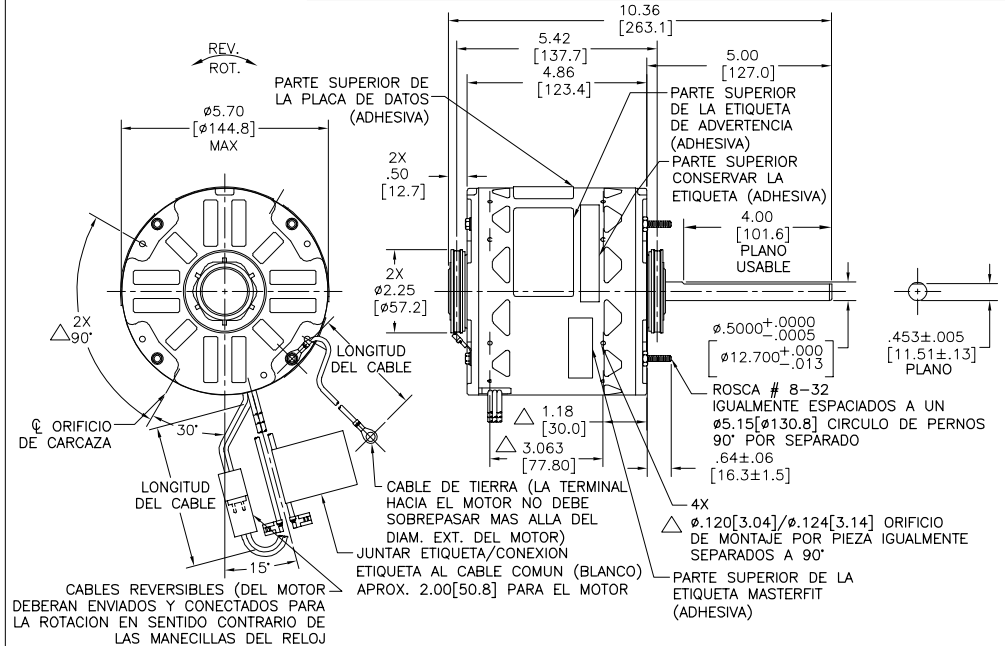
PROTECTOR DE SOBRECARGA: REINICIO AUTOMATICO (SENSATA 7AM 036)  
 CABLES EN LINE: CAL NO. 18, .03[.8] XLP 125°C AISLAM.  
 CABLES REVERSIBLES: CAL NO. 18, .03[.8] XLP 125°C AISLAM.  
 CABLE DE TIERRA: CAL NO. 18, .03[.8] DE ESPESOR (VERDE) AISLAM.

NOTA:

- Δ DENOTAR CRITICAS CARACTERISTICAS
- 2. (4) RAMAL DE ANILLO ADAPTOR 53P26-1, (8) TORNILLO 615982-001 DEBERA SER PUESTO EN BOLSA DE POLIETILENO Y SER EMPACADO CON CADA MOTOR.
- 3. DISTRIBUCION: CLIENTE P/N: FDL6001  
 GRAINGER: CLIENTE. P/N: 4ME32

VER NOTA 3

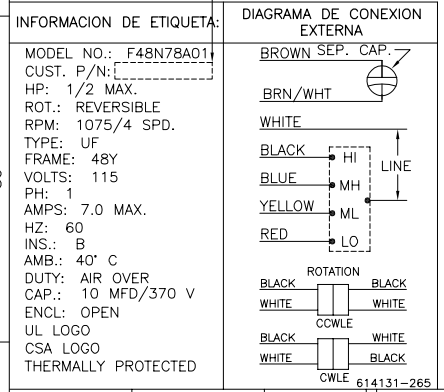
REVISION:	ECO	REVISADO POR:	FECHA:	APROBADO POR:	FECHA:
A	0030326	J.M.RAMIREZ	02-08-2013	S.JIMENEZ	02-08-2013



CABLES REVERSIBLES (DEL MOTOR) DEBERAN ENVIADOS Y CONECTADOS PARA LA ROTACION EN SENTIDO CONTRARIO DE LAS MANECILLAS DEL RELOJ

VERDE (TIERRA)	9.0/11.0 [229/279]	.25[6.3] ANILLO
NEGRO/BLANCO	3.0/5.0 [76/127]	CLAVIJA REVERSIBLE
CAFE	36.5/39.5 [927/1003]	.25[6.3] BANDERA
CAFE/BLANCO	36.5/39.5 [927/1003]	.25[6.3] BANDERA
ROJO	36.5/39.5 [927/1003]	.25[6.3] BANDERA
AMARILLO	36.5/39.5 [927/1003]	.25[6.3] BANDERA
AZUL	36.5/39.5 [927/1003]	.25[6.3] BANDERA
NEGRO	36.5/39.5 [927/1003]	.25[6.3] BANDERA
BLANCO	36.5/39.5 [927/1003]	.25[6.3] BANDERA
COLOR	LONGITUD	TERMINAL O LONGITUD DE DESFORRE

DE CARCASA - OLE	ABIERTO
DE TAPA - OLE	ABIERTO
DE CARCASA - LE	ABIERTO
DE TAPA - LE	ABIERTO



CURVAS DE FUNCIONAMIENTO	TORSION @ 1075 RPM (25°C)	MUESTRA APROBADA	COMPONENTE UL	CSA
C31866	49.5 OZ. FT.	99AC165A	E46412 PRGY2	LR43341 4211-01

CARACTERISTICAS DE GEOMETRIA Y SIMBOLOS

- PLANICIDAD
- RECTITUD
- ∠ ANGULARIDAD
- ⊥ PERPENDICULARIDAD (A ESCUADRA)
- ∥ PARALELISMO
- REDONDEZ (CIRCULARIDAD)
- ⊘ CILINDRICIDAD
- ⊖ PERFIL DE CUALQUIER SUPERFICIE
- ⊖ PERFIL DE CUALQUIER LINEA
- ∠ VARIACION
- ⊕ POSICION REAL
- ⊙ CONCENRICIDAD
- SIMETRIA

ASME Y14.5M 1994

REGAL-BELOIT CORPORATION (RBC) PROVEE ASISTENCIA TECNICA A NUESTROS CLIENTES EN VARIAS AREAS. DESDE QUE RBC NO RECIBE TODOS LOS DATOS EN RELACION AL USO Y A LA APLICACION DEL MOTOR, LA APLICACION ADECUADA DEL MOTOR DEBE SER DETERMINADA POR EL CLIENTE.

DIMENSIONES SIN TOLERANCIA SON DE REFERENCIA SOLAMENTE

DIBUJADO POR: J.M.RAMIREZ 02-08-2013

APROBADO POR: CH.MC'REYNOLDS 02-08-2013

TERCER ANGULO DE PROYECCION

FECHA EDS: 02-22-2008  
 REV. FORMATO: G

CONFIDENCIAL: ESTE DIBUJO Y SU INFORMACION SON PROPIEDAD DE USO EXCLUSIVO Y CONFIDENCIAL DE REGAL-BELOIT CORPORATION, Y NO DEBERAN SER REVELADOS, DUPLICADOS, DISTRIBUIDOS O USARSE DE OTRA MANERA SIN EL CONSENTIMIENTO ESCRITO DE REGAL-BELOIT CORPORATION. -TODOS LOS DERECHOS RESERVADOS.

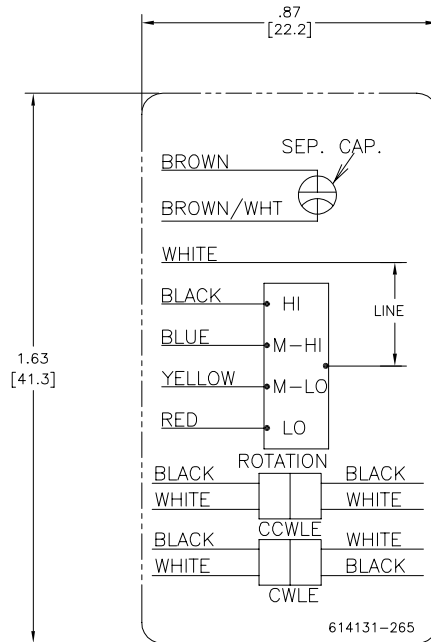
DESCRIPCION: MODEL-RFHP-48FR OUTLINE

TAMAÑO: C NUMERO DE DIBUJO: FDL6001

ESCALA: NONE

HOJA: 1

REV	ECO	REV BY	DATE	APPD	DATE
C	0029048	D.RODRIGUEZ	10-18-2012	J.HESS	10-18-2012



NOTES:

1. FOR USE WITH 614129 NAMEPLATE BLANK
2. --- --- INDICATES DIMENSION LIMITS
3. DIE TO BE MADE FROM MASTER SUPPLIED BY REGAL
4. DIE MUST PRODUCE A LEGIBLE IMPRESSION.

GEOMETRIC CHARACTERISTICS & SYMBOLS	
	FLATNESS
	STRAIGHTNESS
	ANGULARITY
	PERPENDICULARITY (SQUARENESS)
	PARALLELISM
	ROUNDNESS (CIRCULARITY)
	CYLINDRICITY
	PROFILE OF ANY SURFACE
	PROFILE OF ANY LINE
	RUNOUT
	TRUE POSITION
	CONCENTRICITY
	SYMMETRY

UNLESS OTHERWISE SPECIFIED DIM. TOLERANCES ARE AS FOLLOWS:	
INCH	±.1 ±.02 ±.005 ±.0005
mm	±0.5 ±0.13 ±0.013
ANG. ±.50 DEG	
REMOVE BURRS & BREAK SHARP EDGES:	
INCH	.003-.015
mm	0.1-.04
CORNER FILLETS TO:	
INCH	.020
mm	0.5
MACHINE SURFACES:	
INCH	125
mm	3.2
METRIC DIMS. SHOWN IN [BRACKETS]	

DR BY:	JZ	03-31-2011
APPD:	CZ	03-31-2011
THIRD ANGLE PROJECTION		EDS DATE 11-11-2011 FORMAT REV H
CONFIDENTIAL: THIS DRAWING AND ITS INFORMATION ARE THE EXCLUSIVE AND CONFIDENTIAL PROPERTY OF REGAL-BELOIT CORPORATION AND ARE NOT TO BE DISCLOSED, DUPLICATED, DISTRIBUTED OR OTHERWISE USED WITHOUT THE WRITTEN CONSENT OF REGAL-BELOIT CORPORATION. -ALL RIGHTS RESERVED.		

<b>REGAL-BELOIT CORPORATION</b>	
DESCRIPTION CONN DIAGRAM-NAMEPLATE	
SIZE C	DWG NO 614131-265
SCALE NONE	SHEET 1