

# PRODUCT INFORMATION PACKET



Model No: FDL1016  
Catalog No: FDL1016  
1/6 HP Fan & Blower Motor, 1075 RPM, 3 Speed, 115 Volts, 48 Frame, OAO  
Direct Drive Motors



Regal and Century are trademarks of Regal Beloit Corporation or one of its affiliated companies.  
©2020 Regal Beloit Corporation, All Rights Reserved. MC017097E





**Nameplate Specifications**

Output HP	1/6 Hp	Output KW	0.13 kW
Frequency	60 Hz	Voltage	115 V
Current	3.2 A	Speed	1075 rpm
Service Factor	1	Phase	1
Duty	Air Over	Insulation Class	B
Frame	48Y	Enclosure	Open Enclosed
Thermal Protection	Automatic	Ambient Temperature	50 °C
UL	Recognized	CSA	Y
CE	N		

**Technical Specifications**

Electrical Type	Permanent Split Capacitor	Starting Method	Across The Line
Poles	6	Rotation	Reversible
Mounting	Resilient Rings	Motor Orientation	Any
Drive End Bearing	Ball	Opp Drive End Bearing	Ball
Frame Material	Rolled Steel	Shaft Type	Flat
Overall Length	10.80 in	Frame Length	3.25 in
Shaft Diameter	0.500 in	Shaft Extension	6.4 in
Outline Drawing	FDL1016-S01		

This is an uncontrolled document once printed or downloaded and is subject to change without notice. Date Created:22/09/2020

**GENERAL INFORMATION:**

SHAFT RUNOUT: .001 [.03] T.I.R. PER INCH LENGTH OF EXTENSION

BEARINGS: BALL

MOUNTING POSITION: ALL ANGLE

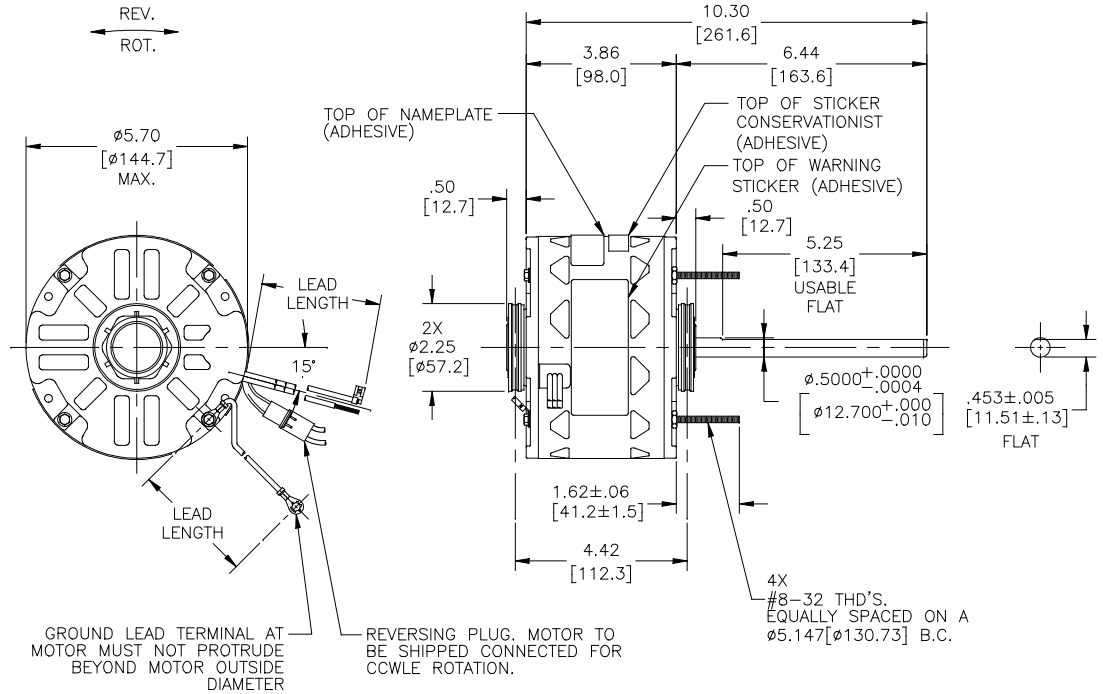
**ELECTRICAL DATA:**

OVERLOAD PROTECTOR: AUTOMATIC RESET (SENSATA 7AM 036)

LEADS: NO. 18 GA., .06 [1.5] THK., PVC 105°C INSUL.

REVERSING LEADS: NO. 18 GA., .03 [.8] THK., 125°C INSUL.

GROUND LEAD: NO. 18 GA., .03 [.8] THK., (GREEN) INSUL.



- NOTES:
1. SNAP RINGS 615035, 4 REQUIRED, TO BE PACKED WITH EACH MOTOR
  2. THE SYMBOL OF CTQ: ▲ (NO CTQ ON THIS DRAWING)
  3. MEET THE REQUIREMENT OF ROHS AND REACH: SEE EP000014\_5.1

REGAL-BELOIT CORPORATION (RBC) PROVIDES TECHNICAL ASSISTANCE TO OUR CUSTOMERS IN SEVERAL AREAS. SINCE RBC DOES NOT RECEIVE ALL DATA CONCERNING THE USE AND APPLICATION OF THE MOTOR, THE SUITABILITY OF THE MOTOR FOR THE APPLICATION MUST BE DETERMINED BY THE CUSTOMER.

DIMENSIONS WITHOUT TOLERANCES ARE FOR REFERENCE ONLY.

COLOR	LENGTH	TERMINAL OR STRIP LENGTH
GREEN (GRD)	12.0/13.0 [305/330]	#10 EYELET
BLACK/WHITE	3.0/5.0 [76/127]	REVERSING PLUG
BROWN	26.0/28.0 [660/711]	.25 [6.4] FLAG
BROWN	26.0/28.0 [660/711]	.25 [6.4] FLAG
YELLOW	26.0/28.0 [660/711]	.50 [12.7] SKIN
BLACK	26.0/28.0 [660/711]	.50 [12.7] SKIN
BLUE	26.0/28.0 [660/711]	.50 [12.7] SKIN
RED	26.0/28.0 [660/711]	.50 [12.7] SKIN

ENCLOSURE		
END FRAME - LE		OPEN
MAIN FRAME - LE		OPEN
END FRAME - OLE		OPEN
MAIN FRAME - OLE		OPEN

CUSTOMER	DISTRIBUTION SERVICES

NAMEPLATE DATA:	EXTERNAL CONNECTION DIAGRAM
MODEL NO: F48J97A01 CUST. P/N: FDL1016 HP: 1/6 ROT.: REVERSIBLE RPM: 1075/3 SPD. TYPE: UF FRAME: 48Y VOLTS: 115 PH: 1 AMPS: 3.2 HZ: 60 INS.: B AMB: 50°C DUTY: AIR OVER CAP.: 7.5 MFD/370V ENCL: OPEN CSA LOGO UL LOGO THERMALLY PROTECTED	

PERFORMANCE CURVE NO.	TORQUE @1075 RPM (25°C)	APPROVED SAMPLE	UL COMPONENT	CSA		
			FILE #	CCN #	FILE #	CLASS #
C31506	21.0 OZ. FT.	97AC362B	E46412	PRGY2	LR43341	4211-01

LEAD DATA			
DRAWING REVISION	REVISION BY	DATE	
D	J. RUPERT	03-27-2020	
ECCO-0183467	APPROVED BY	DATE	
	J. RUPERT	03-27-2020	
ECCO DESCRIPTION			
REMOVED SPANISH NAMEPLATE			
<small>COPYRIGHT REGAL-BELOIT AMERICA, INC. ALL RIGHTS RESERVED. PROPRIETARY AND CONFIDENTIAL INFORMATION - THIS DOCUMENT IS THE PROPERTY OF REGAL-BELOIT AMERICA, INC. (OWNER) AND CONTAINS OWNER'S PROPRIETARY INFORMATION. ANY PERSON, CORPORATION OR OTHER FIRM RECEIVING IT IS DEMAND, BY RECEIVING IT, TO AGREE THAT IT, AND/OR ANY PART OF IT, SHALL NOT BE DISCLOSED TO ANY PERSON, CORPORATION OR OTHER ENTITY, EMPLOYED, AND/OR USER, WITHOUT AS EXPRESSLY APPROVED IN WRITING BY OWNER. THIS DOCUMENT SHALL BE RETURNED TO OWNER UPON REQUEST. IT MAY BE SUBJECT TO CERTAIN RESTRICTIONS UNDER APPLICABLE EXPORT CONTROL LAWS AND REGULATIONS.</small>			

DRAWN BY: J. RUPERT	Regal Beloit America, Inc. MODEL-RFHP-48FR OUTLINE
DATE: 05-03-1991	
APPROVED BY: M. FRENCH	
DATE: 02-05-1992	
PROCESS/FINISH: -	MATERIAL: -
THIRD ANGLE PROJECTION	SIZE DWG NO: FDL1016
	SHEET 1