

PRODUCT INFORMATION PACKET



Model No: FD6000A
Catalog No: FD6000A
1/2-1/6 HP Fan & Blower Motor, 1075 RPM, 4 Speed, 208-230 Volts, 48 Frame, OAO
Direct Drive Motors



Regal and Century are trademarks of Regal Beloit Corporation or one of its affiliated companies.
©2020 Regal Beloit Corporation, All Rights Reserved. MC017097E





Nameplate Specifications

Output HP	1/2-1/6 Hp	Output KW	0.37 kW
Frequency	60 Hz	Voltage	208-230 V
Current	3.9 A	Speed	1075 rpm
Service Factor	1	Phase	1
Duty	Air Over	Insulation Class	B
Frame	48	Enclosure	Open Enclosed
Thermal Protection	Automatic	Ambient Temperature	40 °C
UL	Recognized	CSA	Y
CE	N		

Technical Specifications

Electrical Type	Permanent Split Capacitor	Starting Method	Across The Line
Poles	6	Rotation	Reversible
Mounting	Resilient Ring/Extended Studs	Motor Orientation	Horizontal
Drive End Bearing	Sleeve	Opp Drive End Bearing	Sleeve
Frame Material	Rolled Steel	Shaft Type	Flat
Overall Length	10.36 in	Frame Length	4.25 in
Shaft Diameter	0.500 in	Shaft Extension	5.0 in
Connection Drawing	614131-265	Outline Drawing	FD6000A-S01

This is an uncontrolled document once printed or downloaded and is subject to change without notice. Date Created:06/11/2020

版本	ECO	编制	日期	核准	日期
H	0039779	G. RODRIGUEZ	01-28-2014	TERESITA REYES	01-28-2014

总技术要求:

轴跳动: .001 [.03] (外伸轴)

端部窜动量

轴承: 滑动轴承

安装位置: 水平

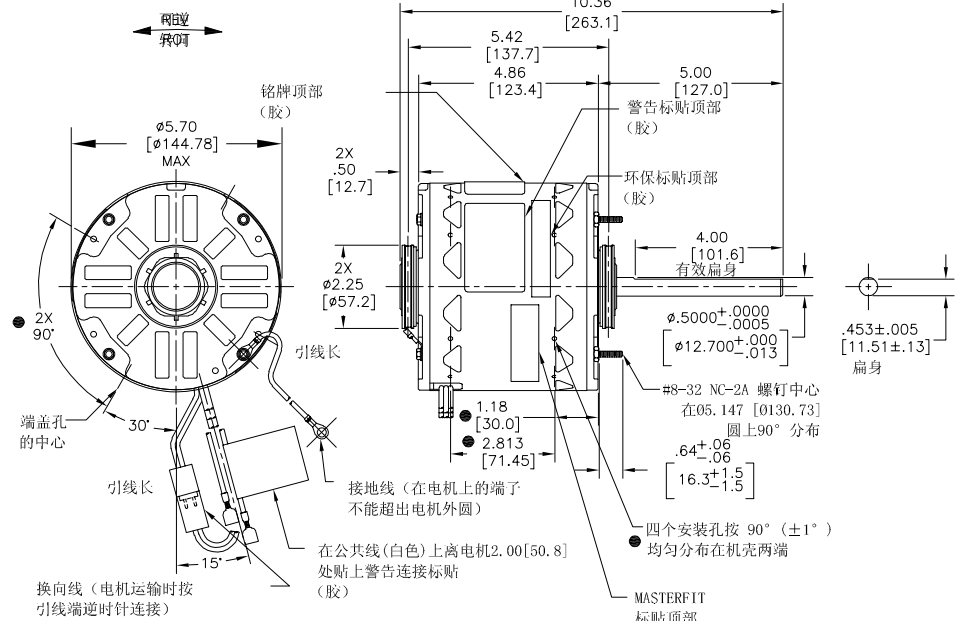
电气数据:

过载保护: 自动复位 (T. I. 7AM 036)

引线: 18 GA., .03[.8] 厚, 125° C XLP 绝缘

换向引线: 18 GA., .03[.8] 厚, 125° C XLP 绝缘

接地线: 18 GA., .03 [.8] 厚. (绿色) 绝缘



绿色 (接地)	9.0/11.0 [229/279]	.25 [6.4] 环形端子
黑色/白色	3.0/5.0 [76/127]	回形插
棕色	36.5/39.5 [927/1003]	.25 [6.4] 旗形插
棕色/白色	36.5/39.5 [927/1003]	.25 [6.4] 旗形插
红色	36.5/39.5 [927/1003]	.25 [6.4] 旗形插
黄色	36.5/39.5 [927/1003]	.25 [6.4] 旗形插
蓝色	36.5/39.5 [927/1003]	.25 [6.4] 旗形插
黑色	36.5/39.5 [927/1003]	.25 [6.4] 旗形插
白色	36.5/39.5 [927/1003]	.25 [6.4] 旗形插
颜色	长度	端子或剥线长度

- 技术要求:
1. 标有 ⊗ 为关键要求。
 2. 将4个弹垫 (615035) (或53P26-1 只用于墨西哥): 8个螺钉 (615982-001) 和1个电容器 (2509074-001), 一个卡箍 (2518746-001) 装在一个小塑料袋内并附在每台电机的包装箱中
 3. 分销客户代码为: FD6000A.

无引线端机壳	开放
有引线端盖	开放
有引线端机壳	开放
无引线端盖	开放

铭牌数据		外部数据连接图	
MODEL NO.: F48AD81A01 CUST. P/N: FD6000A HP: 1/2-1/6 ROT.: REVERSIBLE RPM: 1075/4 SPD. TYPE: UF FRAME: 48 VOLTS: 208-230 PH: 1 AMPS: 3.9 MAX. HZ: 60 INS.: B AMB.: 40° C DUTY: AIR OVER CAP.: 10 OR 5 MFD/370 V ENCL: OPEN UL LOGO CSA LOGO THERMALLY PROTECTED		BROWN SEP. CAP. BRN/WHT WHITE BLACK HI BLUE MH YELLOW ML RED LO ROTATION BLACK CCWLE WHITE BLACK CWLE WHITE	
性能曲线编号	转矩在 @1075 RPM (25° C)	批准样品	UL部件
C31865	56.7 OZ. FT.	99AC166A	文件号 指南 文件号 指南
		CSA	
		E46412 PRGY2 LR43341 4211-01	

形位公差	除图:	R.RASCON	05-26-2011
□ 平面度	标准:	J.FRANK	05-26-2011
— 直线度	第三角投影	图框格式发布日期 11-11-2011	
∠ 倾斜度	图框格式版本	H	
⊥ 垂直度	机密: 本图纸及相关信息所有权归REGAL-BELOIT CORPORATION.	未经REGAL-BELOIT CORPORATION书面授权, 不得泄露、复制、传播或作其他用途。--版权所有	
∥ 平行度	未注公差尺寸仅供参考。	名称	
○ 圆度		MODEL-RFHP-48FR	
⊙ 圆跳动		OUTLINE	
⊖ 圆轮廓度		图幅	
⊕ 圆跳动		C	
⊖ 圆轮廓度		图号	
⊕ 圆跳动		FD6000A	
⊖ 圆轮廓度		比例	
⊕ 圆跳动		NONE	
⊖ 圆轮廓度		页号	
		1	

REV	ECO	REV BY	DATE	APPD	DATE
H	0039779	G. RODRIGUEZ	01-28-2014	TERESITA REYES	01-28-2014

GENERAL INFORMATION:

SHAFT RUNOUT: .001[.03] T.I.R. PER INCH LENGTH OF EXTENSION

END PLAY: .010 TO .063[.25 TO 1.60]

BEARINGS: SLEEVE

MOUNTING POSITION: HORIZONTAL

ELECTRICAL DATA:

OVERLOAD PROTECTOR: AUTOMATIC RESET (SENSATA 7AM 036)

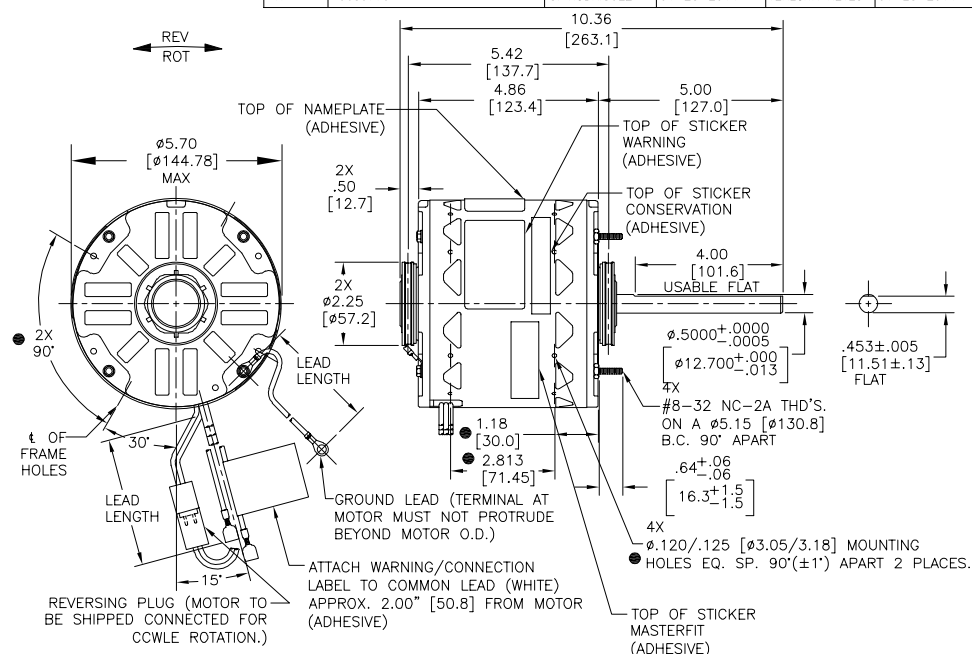
LEADS: NO. 18 GA., .03[.8] THK. XLP 125°C INSUL.

REVERSING PLUGS: NO. 18 GA., .03[.8] THK. XLP 125°C INSUL.

GROUND LEAD: NO. 18 GA., .03[.8] THK. (GREEN) INSUL.

NOTES:

- DENOTES CRITICAL CHARACTERISTICS.
- (4) SPLIT RING ADAPTOR 615035 (OR 53P26-1 ONLY USED IN MEXICO), (8) SCREWS 615982-001, (1) 2518746-001 CLAMP AND (1) CAPACITOR 2509074-001 TO BE PUT IN A POLYBAG & BE PACKED WITH EACH MOTOR.



COLOR	LENGTH	TERMINAL OR STRIP LENGTH
GREEN (GROUND)	9.0/11.0 [229/279]	.25 [6.4] RING
BLACK/WHITE	3.0/5.0 [76/127]	REVERSING PLUG
BROWN	36.5/39.5 [927/1003]	.25[6.4] FEMALE
BROWN/WHITE	36.5/39.5 [927/1003]	.25[6.4] FEMALE
RED	36.5/39.5 [927/1003]	.25[6.4] FEMALE
YELLOW	36.5/39.5 [927/1003]	.25[6.4] FEMALE
BLUE	36.5/39.5 [927/1003]	.25[6.4] FEMALE
BLACK	36.5/39.5 [927/1003]	.25[6.4] FEMALE
WHITE	36.5/39.5 [927/1003]	.25[6.4] FEMALE

MAIN FRAME - OLE	OPEN
END FRAME - OLE	OPEN
MAIN FRAME - LE	OPEN
END FRAME - LE	OPEN

CUSTOMER	DISTRIBUTION SERVICE
----------	----------------------

NAMEPLATE DATA:	EXTERNAL CONNECTION DIAGRAM
MODEL NO.: F48AD81A01 CUST. P/N: FD6000A HP: 1/2-1/6 ROT.: REVERSIBLE RPM: 1075/4 SPD. TYPE: UF FRAME: 48 VOLTS: 208-230 PH: 1 AMPS: 3.9 MAX. HZ: 60 INS.: B AMB.: 40° C DUTY: AIR OVER CAP.: 10 OR 5 MFD/370 V ENCL: OPEN UL LOGO CSA LOGO THERMALLY PROTECTED	BROWN SEP. CAP. BRN/WHT WHITE BLACK HI BLUE MH YELLOW ML RED LO ROTATION BLACK CCWLE WHITE CWLE BLACK WHITE WHITE BLACK

PERFORMANCE CURVE NO.	TORQUE @1075 RPM (25°C)	APPROVED SAMPLE	UL COMPONENT CSA			
C31865	56.7 OZ. FT.	99AC166A	FILE #	CCN #	FILE #	CLASS #
			E46412	PRGY2	LR43341	4211-01

GEOMETRIC CHARACTERISTICS & SYMBOLS

- FLATNESS
- STRAIGHTNESS
- ∠ ANGULARITY
- ⊥ PERPENDICULARITY (SQUARENESS)
- ∥ PARALLELISM
- ROUNDNESS (CIRCULARITY)
- ⊘ CYLINDRICITY
- ⌒ PROFILE OF ANY SURFACE
- ⌒ PROFILE OF ANY LINE
- ⊘ RUNOUT
- ⊙ TRUE POSITION
- ⊙ CONCENTRICITY
- ⊘ SYMMETRY

ASME Y14.5M 1994

REGAL-BELOIT CORPORATION (RBC) PROVIDES TECHNICAL ASSISTANCE TO OUR CUSTOMERS IN SEVERAL AREAS. SINCE RBC DOES NOT RECEIVE ALL DATA CONCERNING THE USE AND APPLICATION OF THE MOTOR, THE SUITABILITY OF THE MOTOR FOR THE APPLICATION MUST BE DETERMINED BY THE CUSTOMER.

DIMENSIONS WITHOUT TOLERANCES ARE FOR REFERENCE ONLY.

DR BY:	R.RASCON	05-26-2011
APPD:	J.FRANK	05-26-2011
THIRD ANGLE PROJECTION		EDS DATE 11-11-2011 FORMAT REV H

CONFIDENTIAL: THIS DRAWING AND ITS INFORMATION ARE THE EXCLUSIVE AND CONFIDENTIAL PROPERTY OF REGAL-BELOIT CORPORATION AND ARE NOT TO BE DISCLOSED, DUPLICATED, DISTRIBUTED OR OTHERWISE USED WITHOUT THE WRITTEN CONSENT OF REGAL-BELOIT CORPORATION. -ALL RIGHTS RESERVED.

REGAL-BELOIT CORPORATION	
DESCRIPTION	
MODEL-RFHP-48FR OUTLINE	
SIZE	DWG NO
C	FD6000A
SCALE	SHEET
NONE	1

REVISION:	ECO	REVISADO POR:	FECHA:	APROBADO POR:	FECHA:
H	0039779	G. RODRIGUEZ	01-28-2014	TERESITA REYES	01-28-2014

INFORMACION GENERAL:

OSCILACION DE FLECHA: .001[.03] L.T.I. POR PULGADA DE EXTENSION

JUEGO AXIAL: .010 A .063 [.25 A 1.60]

BALEROS: MANGA

POSICION DEL MONTAJE: HORIZONTAL

INFORMACION ELECTRICA:

PROTECTOR DE SOBRECARGA: REINICIO AUTOMATICO (SENSATA 7AM 036)

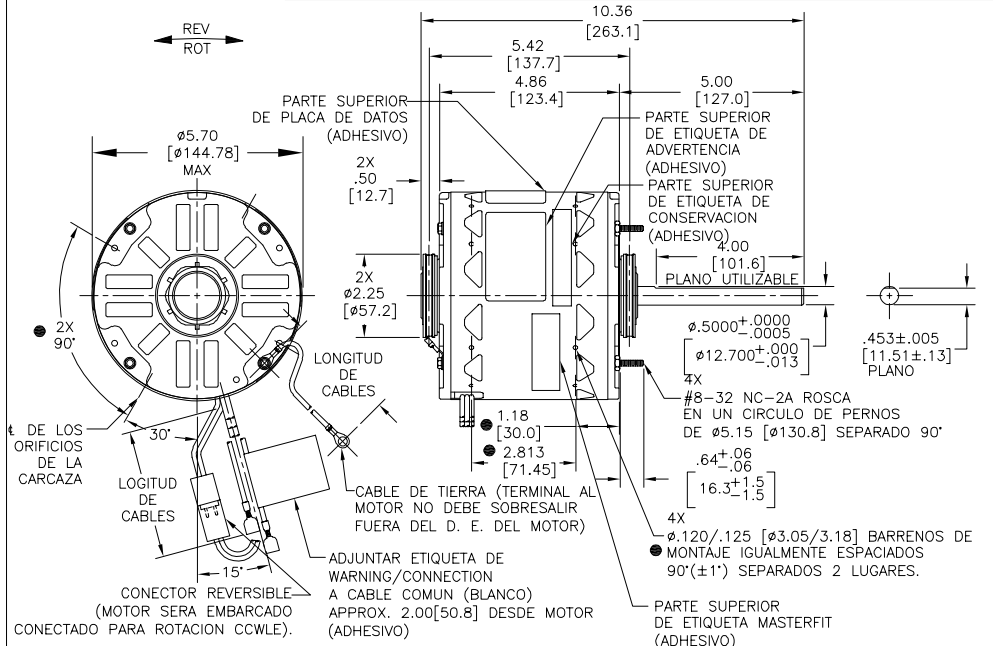
CABLES: NO. 18 GA., .03[.8] GROSOR XLP AISLANTE 125°C

CONECTOR REVERSIBLE: NO. 18 GA., .03[.8] GROSOR XLP AISLANTE 125°C

CABLE DE TIERRA: NO. 18 GA., .03[.8] GROSOR AISLANTE (VERDE)

NOTAS:

- INDICA CARACTERISTICAS CRITICAS.
- (4) ANILLO ADAPTADOR CON RANURA 615035, (8) TORNILLOS 615982-001 (1) ABRAZADERA 2518746-001 Y UN CAPACITOR 2509074-001 DEBEN PONERSE EN UNA BOLSA DE POLIESTER Y SER EMPACADO EN CADA MOTOR.



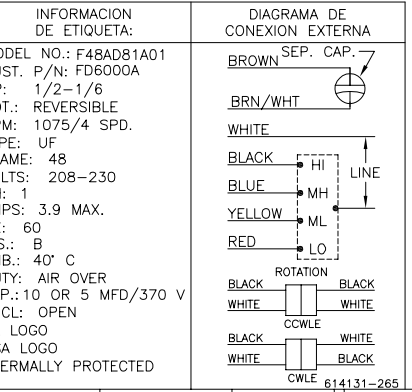
VERDE (TIERRA)	9.0/11.0 [229/279]	.25 [6.4] ANILLO
NEGRO/BLANCO	3.0/5.0 [76/127]	CONECTOR REVERSIBLE
CAFE	36.5/39.5 [927/1003]	.25[6.4] HEMBRA
CAFE/BLANCO	36.5/39.5 [927/1003]	.25[6.4] HEMBRA
ROJO	36.5/39.5 [927/1003]	.25[6.4] HEMBRA
AMARILLO	36.5/39.5 [927/1003]	.25[6.4] HEMBRA
AZUL	36.5/39.5 [927/1003]	.25[6.4] HEMBRA
NEGRO	36.5/39.5 [927/1003]	.25[6.4] HEMBRA
BLANCO	36.5/39.5 [927/1003]	.25[6.4] HEMBRA
COLOR	LONGITUD	TERMINAL O LONGITUD DE DESFORRE

CARCAZA - LOC	ABIERTO
TAPA - LOC	ABIERTO
CARCAZA - LC	ABIERTO
TAPA - LC	ABIERTO

TIPO DE MOTOR

CLIENTE

DISTRIBUTION SERVICE



CURVAS DE DESEMPEÑO	TORSION @1075 RPM (25°C)	MUESTRA APROBADA	COMPONENTE UL	CSA
C31865	56.7 OZ. FT.	99AC166A	#ARCHIVO CCN #	#ARCHIVO CLASE #
			E46412 PRGY2	LR43341 4211-01

INFORMACION DE GEOMETRIA Y SIMBOLOS

PLANICIDAD

RECTITUD

ANGULARIDAD

PERPENDICULARIDAD (A ESQUADRA)

PARALELISMO

REDONDEZ (CIRCULARIDAD)

CILINDRICIDAD

PERFIL DE CUALQUIER SUPERFICIE

PERFIL DE CUALQUIER LINEA

VARIACION

POSICION REAL

CONCENTRICIDAD

SIMETRIA

ASME Y14.5M 1994

REGAL-BELOIT CORPORATION (RBC) PROVEE ASISTENCIA TECNICA A NUESTROS CLIENTES EN VARIAS AREAS. DESDE QUE RBC NO RECIBE TODOS LOS DATOS EN RELACION AL USO Y A LA APLICACION DEL MOTOR, LA APLICACION ADECUADA DEL MOTOR DEBE SER DETERMINADA POR EL CLIENTE.

DIMENSIONES SIN TOLERANCIA SON DE REFERENCIA SOLAMENTE

DIBUJADO POR: R.RASCON 05-26-2011

APROBADO POR: J.FRANK 05-26-2011

TERCER ANGULO DE PROYECCION

FECHA EDS: 11-11-2011

REV. FORMATO: H

CONFIDENCIAL: ESTE DIBUJO Y SU INFORMACION SON PROPIEDAD DE USO EXCLUSIVO Y CONFIDENCIAL DE REGAL-BELOIT CORPORATION. Y NO DEBERAN SER REVELADOS, DUPLICADOS, DISTRIBUIDOS O USARSE DE OTRA MANERA SIN EL CONSENTIMIENTO ESCRITO DE REGAL-BELOIT CORPORATION. -TODOS LOS DERECHOS RESERVADOS.

REGAL-BELOIT CORPORATION

DESCRIPCION: MODEL-RFHP-48FR OUTLINE

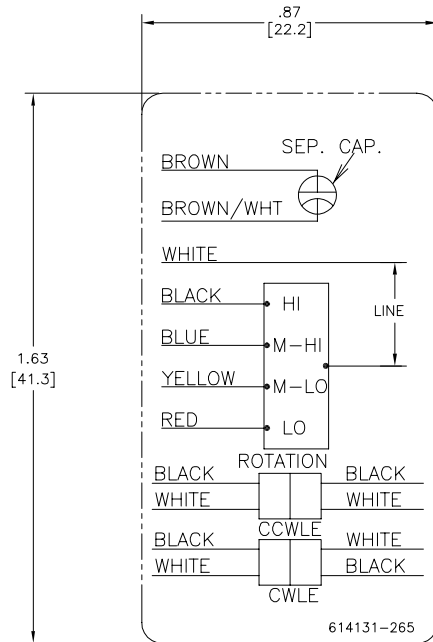
TAMAÑO: C

NUMERO DE DIBUJO: FD6000A

ESCALA: NONE

HOJA: 1

REV	ECO	REV BY	DATE	APPD	DATE
C	0029048	D.RODRIGUEZ	10-18-2012	J.HESS	10-18-2012



NOTES:

1. FOR USE WITH 614129 NAMEPLATE BLANK
2. - - - - - INDICATES DIMENSION LIMITS
3. DIE TO BE MADE FROM MASTER SUPPLIED BY REGAL
4. DIE MUST PRODUCE A LEGIBLE IMPRESSION.

<p>GEOMETRIC CHARACTERISTICS & SYMBOLS</p> <ul style="list-style-type: none"> ▭ FLATNESS - STRAIGHTNESS ∠ ANGULARITY ⊥ PERPENDICULARITY (SQUARENESS) ∥ PARALLELISM ○ ROUNDNESS (CIRCULARITY) ⊘ CYLINDRICITY ⌒ PROFILE OF ANY SURFACE ⌒ PROFILE OF ANY LINE ⌀ RUNOUT ⊕ TRUE POSITION ◎ CONCENTRICITY ⊖ SYMMETRY <p>ASME Y14.5M 1994</p>

<p>UNLESS OTHERWISE SPECIFIED DIM. TOLERANCES ARE AS FOLLOWS:</p> <p>INCH X XX XXX XXXX ±.1 ±.02 ±.005 ±.0005</p> <p>mm ±0.5 ±0.13 ±0.013</p> <p>ANG. ±.50 DEG</p> <p>REMOVE BURRS & BREAK SHARP EDGES: INCH .003-.015 mm 0.1-.04</p> <p>CORNER FILLETS TO: INCH .020 mm 0.5</p> <p>MACHINE SURFACES: INCH 125 mm 3.2</p> <p>METRIC DIMS. SHOWN IN [BRACKETS]</p>

DR BY: JZ	03-31-2011
APPD: CZ	03-31-2011
THIRD ANGLE PROJECTION	EDS DATE 11-11-2011 FORMAT REV H
<p>CONFIDENTIAL: THIS DRAWING AND ITS INFORMATION ARE THE EXCLUSIVE AND CONFIDENTIAL PROPERTY OF REGAL-BELOIT CORPORATION AND ARE NOT TO BE DISCLOSED, DUPLICATED, DISTRIBUTED OR OTHERWISE USED WITHOUT THE WRITTEN CONSENT OF REGAL-BELOIT CORPORATION. -ALL RIGHTS RESERVED.</p>	

REGAL-BELOIT CORPORATION	
DESCRIPTION CONN DIAGRAM-NAMEPLATE	
SIZE C	DWG NO 614131-265
SCALE NONE	SHEET 1