

# PRODUCT INFORMATION PACKET



Model No: FC3156F  
Catalog No: FC3156F  
1 1/2 HP Condenser Fan Motor, 1120 RPM, 200-230/460 Volts, 48 Frame, OAO  
Condenser Fans Motors



Regal and Century are trademarks of Regal Beloit Corporation or one of its affiliated companies.  
©2020 Regal Beloit Corporation, All Rights Reserved. MC017097E

The REGAL logo is a stylized, italicized wordmark in a bold, sans-serif font, set within a dark grey, trapezoidal shape. The background of the page features a vertical blue gradient with a halftone dot pattern on the right side.

REGAL



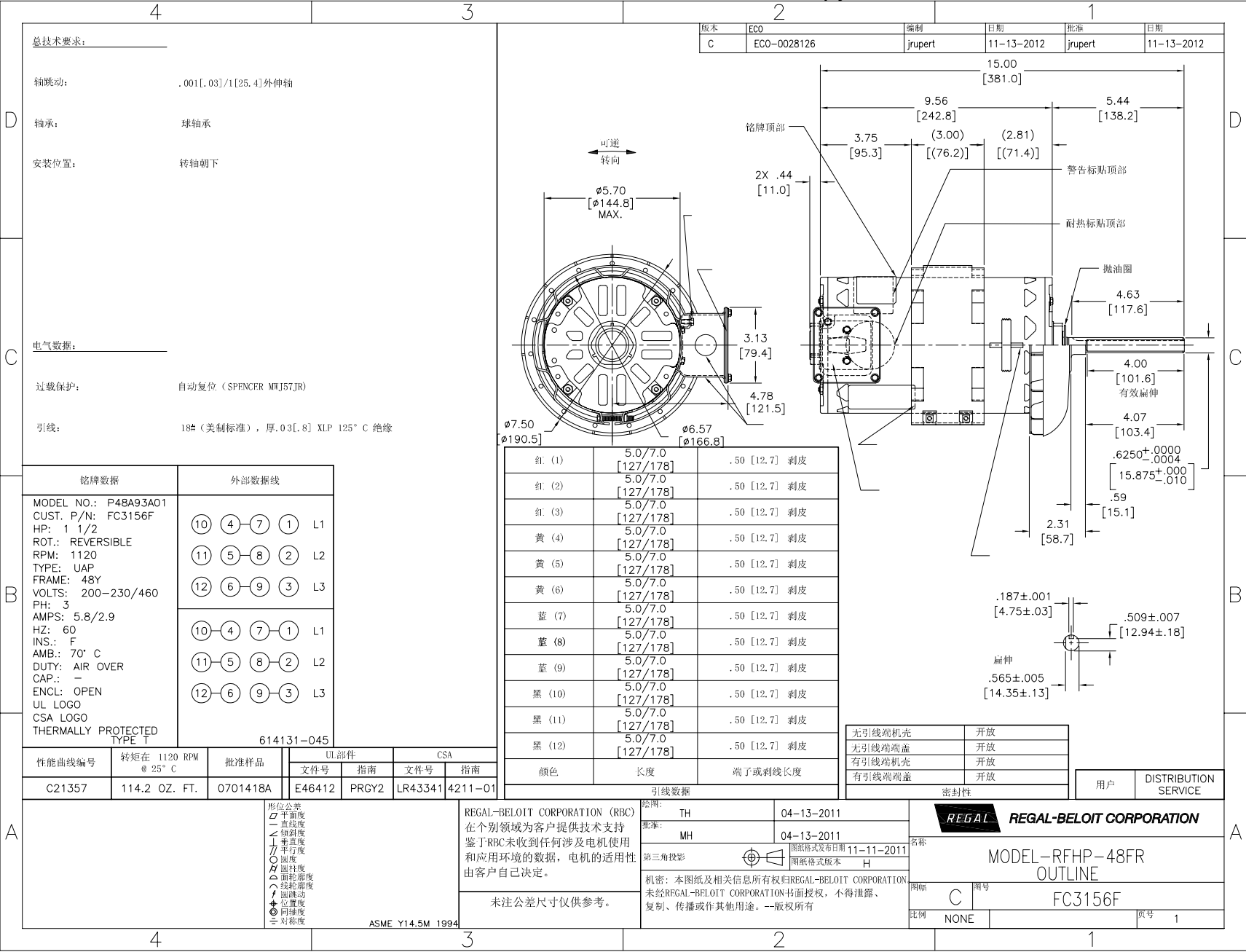
**Nameplate Specifications**

Output HP	<b>1 1/2 Hp</b>	Output KW	<b>1.1 kW</b>
Frequency	<b>60 Hz</b>	Voltage	<b>200-230/460 V</b>
Current	<b>5.8/2.9 A</b>	Speed	<b>1120 rpm</b>
Service Factor	<b>1</b>	Phase	<b>3</b>
Duty	<b>Air Over</b>	Insulation Class	<b>F</b>
Frame	<b>48Y</b>	Enclosure	<b>Open Enclosed</b>
Thermal Protection	<b>Automatic</b>	Ambient Temperature	<b>70 °C</b>
UL	<b>Recognized</b>	CSA	<b>Y</b>
CE	<b>N</b>		

**Technical Specifications**

Electrical Type	<b>Three Phase</b>	Starting Method	<b>Across The Line</b>
Poles	<b>6</b>	Rotation	<b>Reversible</b>
Mounting	<b>Round Belly Band</b>	Motor Orientation	<b>Vertical Shaft Up</b>
Drive End Bearing	<b>Ball</b>	Opp Drive End Bearing	<b>Ball</b>
Frame Material	<b>Rolled Steel</b>	Shaft Type	<b>Keyed</b>
Overall Length	<b>15.44 in</b>	Frame Length	<b>9.00 in</b>
Shaft Diameter	<b>0.625 in</b>	Shaft Extension	<b>4.07 in</b>
Connection Drawing	<b>614131-045</b>	Outline Drawing	<b>FC3156F-S01</b>

This is an uncontrolled document once printed or downloaded and is subject to change without notice. Date Created:06/11/2020



总技术要求:  
 轴跳动: .001[.03]/1[25.4]外伸轴  
 轴承: 球轴承  
 安装位置: 转轴朝下

电气数据:  
 过载保护: 自动复位 (SPENCER MWJ5JR)  
 引线: 18# (美制标准), 厚.03[.8] XLP 125° C 绝缘

铭牌数据	外部数据															
MODEL NO.: P48A93A01 CUST. P/N: FC3156F HP: 1 1/2 ROT.: REVERSIBLE RPM: 1120 TYPE: UAP FRAME: 48Y VOLTS: 200-230/460 PH: 3 AMPS: 5.8/2.9 HZ: 60 INS.: F AMB.: 70° C DUTY: AIR OVER CAP.: - ENCL: OPEN UL LOGO CSA LOGO THERMALLY PROTECTED TYPE T	<table border="1"> <tr> <td>⑩</td><td>④</td><td>⑦</td><td>①</td><td>L1</td> </tr> <tr> <td>⑪</td><td>⑤</td><td>⑧</td><td>②</td><td>L2</td> </tr> <tr> <td>⑫</td><td>⑥</td><td>⑨</td><td>③</td><td>L3</td> </tr> </table>	⑩	④	⑦	①	L1	⑪	⑤	⑧	②	L2	⑫	⑥	⑨	③	L3
⑩	④	⑦	①	L1												
⑪	⑤	⑧	②	L2												
⑫	⑥	⑨	③	L3												

颜色	长度	端子或剥线长度
红 (1)	5.0/7.0 [127/178]	.50 [12.7] 剥皮
红 (2)	5.0/7.0 [127/178]	.50 [12.7] 剥皮
红 (3)	5.0/7.0 [127/178]	.50 [12.7] 剥皮
黄 (4)	5.0/7.0 [127/178]	.50 [12.7] 剥皮
黄 (5)	5.0/7.0 [127/178]	.50 [12.7] 剥皮
黄 (6)	5.0/7.0 [127/178]	.50 [12.7] 剥皮
蓝 (7)	5.0/7.0 [127/178]	.50 [12.7] 剥皮
蓝 (8)	5.0/7.0 [127/178]	.50 [12.7] 剥皮
蓝 (9)	5.0/7.0 [127/178]	.50 [12.7] 剥皮
黑 (10)	5.0/7.0 [127/178]	.50 [12.7] 剥皮
黑 (11)	5.0/7.0 [127/178]	.50 [12.7] 剥皮
黑 (12)	5.0/7.0 [127/178]	.50 [12.7] 剥皮

无引线端机壳	密封性
无引线端机壳	开放
有引线端机壳	开放
有引线端盖	开放

性能曲线编号	转矩在 1120 RPM @ 25° C	批准样品	UL 部件	CSA
C21357	114.2 OZ. FT.	0701418A	E46412 PRGY2	LR43341 4211-01

形位公差	ASME Y14.5M 1994
□ 平面度	
— 直线度	
— 圆筒度	
⊥ 垂直度	
∥ 平行度	
⊘ 圆度	
⊙ 圆跳动	
⊙ 圆轮廓度	
⊙ 线轮廓度	
⊙ 圆跳动	
⊙ 位置度	
⊙ 同轴度	
⊙ 对称度	

REGAL-BELOIT CORPORATION (RBC) 在个别领域为客户提供技术支持 鉴于RBC未收到任何涉及电机使用 和应用环境的数据, 电机的适用性 由客户自己决定。  
 未注公差尺寸仅供参考。

TH	04-13-2011	名称
MH	04-13-2011	MODEL-RFHP-48FR OUTLINE
图框格式发布日期 11-11-2011		图号
图框格式版本 H		FC3156F
机密: 本图纸及相关信息所有权归REGAL-BELOIT CORPORATION 未经REGAL-BELOIT CORPORATION书面授权, 不得泄露、 复制、传播或作其他用途。--版权所有		比例
		NONE
		页号
		1

GENERAL INFORMATION:

SHAFT RUNOUT: .001 [.03] T.I.R. PER INCH LENGTH OF EXTENSION

BEARINGS: BALL

MOUNTING POSITION: VERTICAL SHAFT UP

ELECTRICAL DATA:

OVERLOAD PROTECTOR: AUTOMATIC RESET (SPENCER MWJ57JR)

LEADS: NO. 18 GA., .03 [.8] THK. XLP 125°C INSUL.

REV	ECO	REV BY	DATE	APPD	DATE
C	ECO-0028126	jrupert	11-13-2012	jrupert	11-13-2012

NAMEPLATE DATA:	EXTERNAL CONNECTION DIAGRAM
MODEL NO.: P48A93A01 CUST. P/N: FC3156F HP: 1 1/2 ROT.: REVERSIBLE RPM: 1120 TYPE: UAP FRAME: 48Y VOLTS: 200-230/460 PH: 3 AMPS: 5.8/2.9 HZ: 60 INS.: F AMB.: 70° C DUTY: AIR OVER CAP.: - ENCL: OPEN UL LOGO CSA LOGO THERMALLY PROTECTED TYPE T	

PERFORMANCE CURVE NO.	TORQUE @ 1120 RPM (25°C)	APPROVED SAMPLE	UL COMPONENT FILE #	CCN #	CSA FILE #	CLASS #
C21357	114.2 OZ. FT.	0701418A	E46412	PRGY2	LR43341	4211-01

COLOR	LENGTH	TERMINAL OR STRIP LENGTH
RED (1)	5.0/7.0 [127/178]	.50 [12.7] SKIN
RED (2)	5.0/7.0 [127/178]	.50 [12.7] SKIN
RED (3)	5.0/7.0 [127/178]	.50 [12.7] SKIN
YELLOW (4)	5.0/7.0 [127/178]	.50 [12.7] SKIN
YELLOW (5)	5.0/7.0 [127/178]	.50 [12.7] SKIN
YELLOW (6)	5.0/7.0 [127/178]	.50 [12.7] SKIN
BLUE (7)	5.0/7.0 [127/178]	.50 [12.7] SKIN
BLUE (8)	5.0/7.0 [127/178]	.50 [12.7] SKIN
BLUE (9)	5.0/7.0 [127/178]	.50 [12.7] SKIN
BLACK (10)	5.0/7.0 [127/178]	.50 [12.7] SKIN
BLACK (11)	5.0/7.0 [127/178]	.50 [12.7] SKIN
BLACK (12)	5.0/7.0 [127/178]	.50 [12.7] SKIN

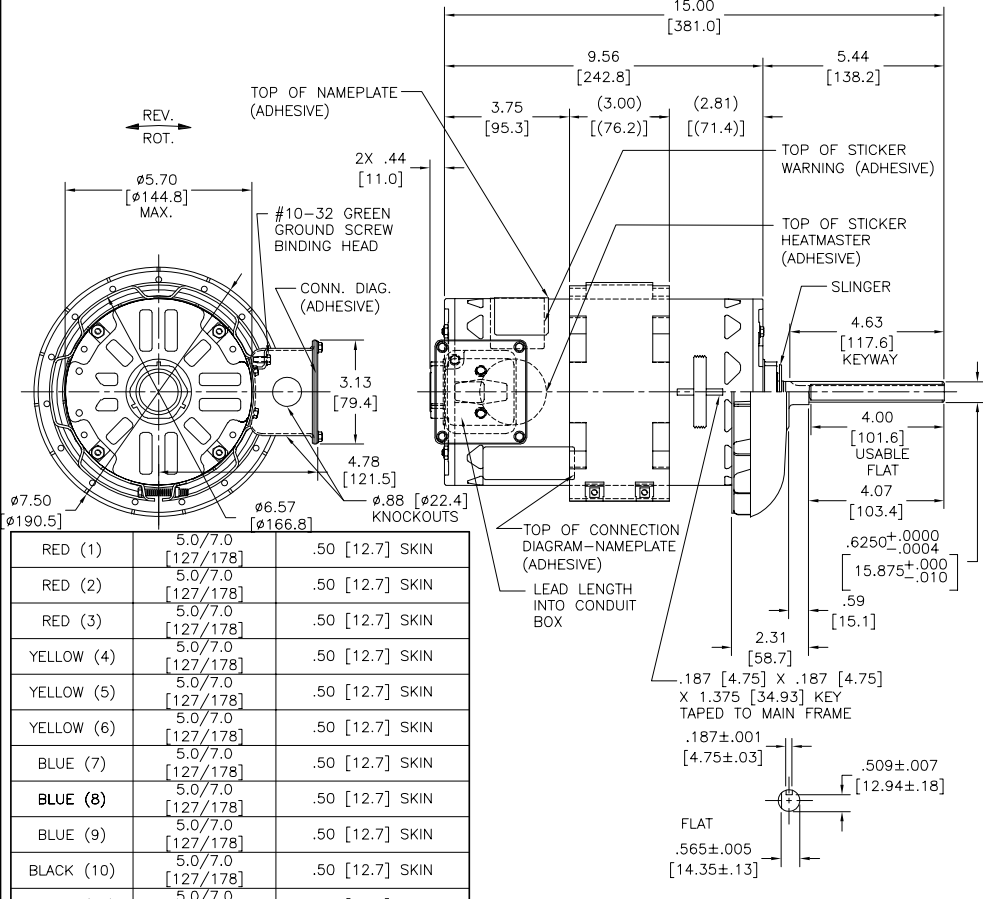
REGAL-BELOIT CORPORATION (RBC) PROVIDES TECHNICAL ASSISTANCE TO OUR CUSTOMERS IN SEVERAL AREAS. SINCE RBC DOES NOT RECEIVE ALL DATA CONCERNING THE USE AND APPLICATION OF THE MOTOR, THE SUITABILITY OF THE MOTOR FOR THE APPLICATION MUST BE DETERMINED BY THE CUSTOMER.

DIMENSIONS WITHOUT TOLERANCES ARE FOR REFERENCE ONLY.

DR BY: TH 04-13-2011  
APPD: MH 04-13-2011  
EDS DATE 11-11-2011  
FORMAT REV H

THIRD ANGLE PROJECTION

CONFIDENTIAL: THIS DRAWING AND ITS INFORMATION ARE THE EXCLUSIVE AND CONFIDENTIAL PROPERTY OF REGAL-BELOIT CORPORATION AND ARE NOT TO BE DISCLOSED, DUPLICATED, DISTRIBUTED OR OTHERWISE USED WITHOUT THE WRITTEN CONSENT OF REGAL-BELOIT CORPORATION. -ALL RIGHTS RESERVED.



MAIN FRAME - OLE	OPEN
END FRAME - OLE	OPEN
MAIN FRAME - LE	OPEN
END FRAME - LE	OPEN

CUSTOMER	DISTRIBUTION SERVICE
----------	----------------------

A

D

C

B

4

3

2

1

INFORMACION GENERAL:

OSCILACION DE FLECHA: .001 [.03] T.I.R. PER INCH LENGTH OF EXTENSION

BALEROS: BALERO

POSICION DEL MONTAJE: FLECHA VERTICAL ENCIMA DE

INFORMACION ELECTRICA:

SOBRECARGA DEL PROTECTOR: REINICIO AUTOMATIC (SPENCER M5W73JR)

CABLES: NO. 18 GA., .03 [.8] THK. XLP 125°C AISLAM.

REVISION: ECO	REVISADO POR: jrupert	FECHA: 11-13-2012	APROBADO POR: jrupert	FECHA: 11-13-2012
---------------	-----------------------	-------------------	-----------------------	-------------------

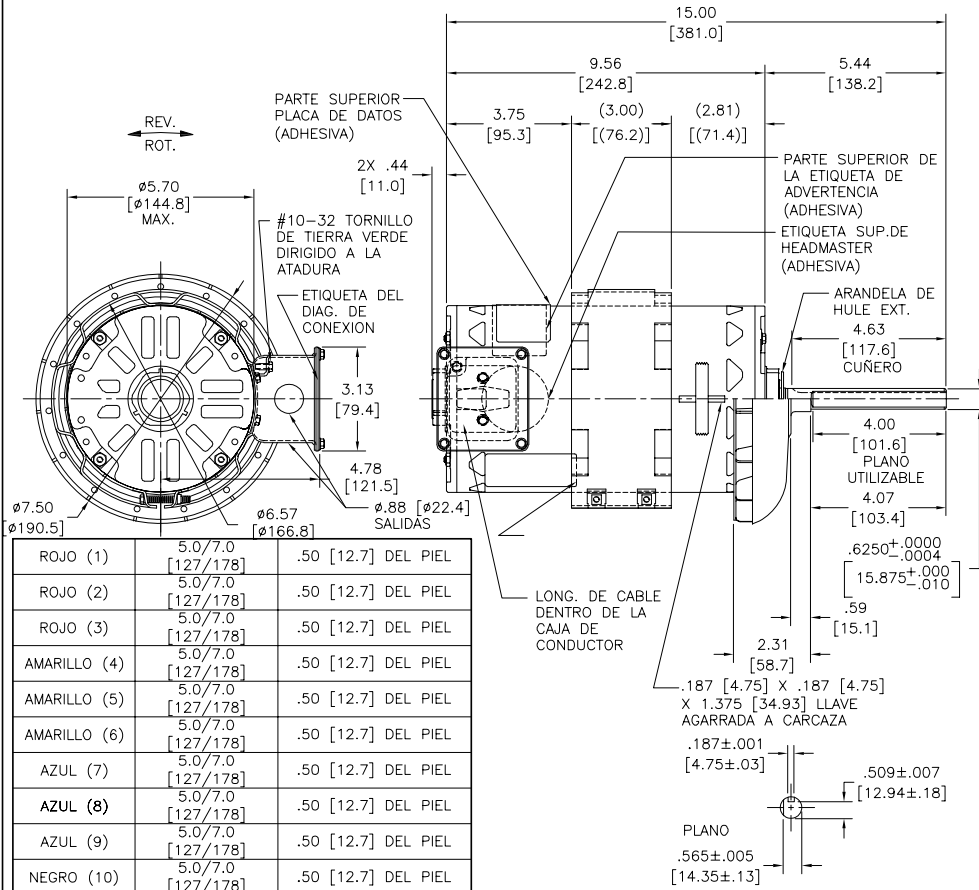
INFORMACION DE ETIQUETA:	DIAGRAMA DE CONEXION EXTRNA
MODEL NO.: P48A93A01 CUST. P/N: FC3156F HP: 1 1/2 ROT.: REVERSIBLE RPM: 1120 TYPE: UAP FRAME: 48Y VOLTS: 200-230/460 PH: 3 AMPS: 5.8/2.9 HZ: 60 INS.: F AMB.: 70° C DUTY: AIR OVER CAP.: - ENCL: OPEN UL LOGO CSA LOGO THERMALLY PROTECTED TYPE T	

CURVAS DE FUNCIONAMIENTO	TORSION @ 1120 RPM (25°C)	MUESTRA APROBADA	COMPONENTE UL	CSA
C21357	114.2 OZ. FT.	0701418A	E46412 PRGY2	LR43341 4211-01

COLOR	LONGITUD	TERMINAL O LONGITUD DE DESFORRE
ROJO (1)	5.0/7.0 [127/178]	.50 [12.7] DEL PIEL
ROJO (2)	5.0/7.0 [127/178]	.50 [12.7] DEL PIEL
ROJO (3)	5.0/7.0 [127/178]	.50 [12.7] DEL PIEL
AMARILLO (4)	5.0/7.0 [127/178]	.50 [12.7] DEL PIEL
AMARILLO (5)	5.0/7.0 [127/178]	.50 [12.7] DEL PIEL
AMARILLO (6)	5.0/7.0 [127/178]	.50 [12.7] DEL PIEL
AZUL (7)	5.0/7.0 [127/178]	.50 [12.7] DEL PIEL
AZUL (8)	5.0/7.0 [127/178]	.50 [12.7] DEL PIEL
AZUL (9)	5.0/7.0 [127/178]	.50 [12.7] DEL PIEL
NEGRO (10)	5.0/7.0 [127/178]	.50 [12.7] DEL PIEL
NEGRO (11)	5.0/7.0 [127/178]	.50 [12.7] DEL PIEL
NEGRO (12)	5.0/7.0 [127/178]	.50 [12.7] DEL PIEL

INFORMACION DE CABLES

REGAL-BELOIT CORPORATION (RBC) PROVEE ASISTENCIA TECNICA A NUESTROS CLIENTES EN VARIAS AREAS. DESDE QUE RBC NO RECIBE TODOS LOS DATOS EN RELACION AL USO Y A LA APLICACION DEL MOTOR, LA APLICACION ADECUADA DEL MOTOR DEBE SER DETERMINADA POR EL CLIENTE.	DIBUJADO POR: TH 04-13-2011
DIMENSIONES SIN TOLERANCIA SON DE REFERENCIA SOLAMENTE	APROBADO POR: MH 04-13-2011
	TERCER ANGULO DE PROYECCION
	FECHA EDS: 11-11-2011 REV. FORMATO: H
	CONFIDENCIAL: ESTE DIBUJO Y SU INFORMACION SON PROPIEDAD DE USO EXCLUSIVO Y CONFIDENCIAL DE REGAL-BELOIT CORPORATION. Y NO DEBERAN SER REVELADOS, DUPLICADOS, DISTRIBUIDOS O USARSE DE OTRA MANERA SIN EL CONSENTIMIENTO ESCRITO DE REGAL-BELOIT CORPORATION. -TODOS LOS DERECHOS RESERVADOS.



DE CARCASA - OLE	ABIERTA
DE TAPA - OLE	ABIERTA
DE CARCASA - LE	ABIERTA
DE TAPA - LE	ABIERTA

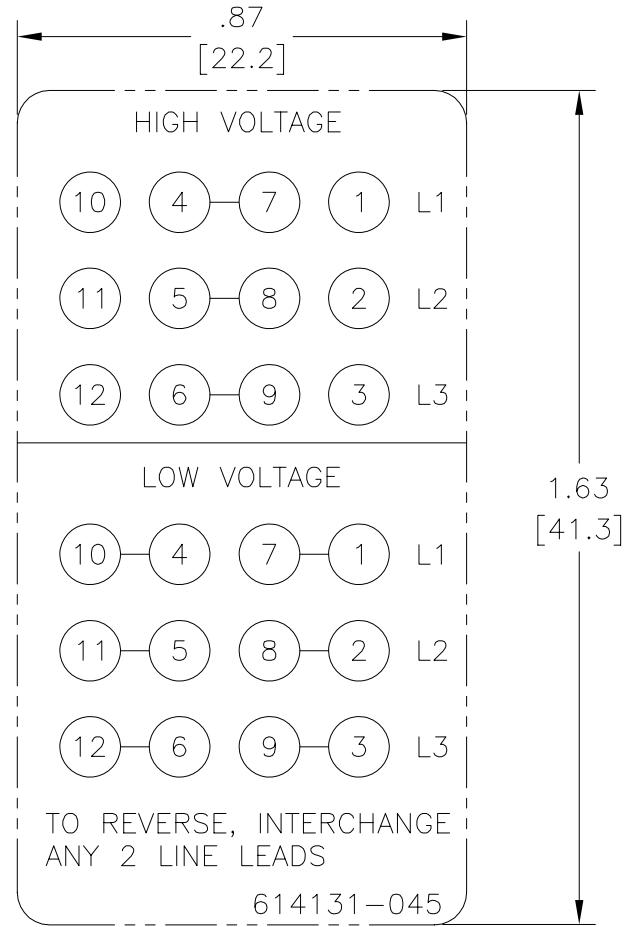
CLIENTE	DISTRIBUTION SERVICE
---------	----------------------

CARACTERISTICAS DE GEOMETRIA Y SIMBOLOS	REGAL-BELOIT CORPORATION (RBC) PROVEE ASISTENCIA TECNICA A NUESTROS CLIENTES EN VARIAS AREAS. DESDE QUE RBC NO RECIBE TODOS LOS DATOS EN RELACION AL USO Y A LA APLICACION DEL MOTOR, LA APLICACION ADECUADA DEL MOTOR DEBE SER DETERMINADA POR EL CLIENTE.
<ul style="list-style-type: none"> <li>□ PLANICIDAD</li> <li>▭ RECTITUD</li> <li>∠ ANGULARIDAD</li> <li>⊥ PERPENDICULARIDAD (A ESQUADRA)</li> <li>∥ PARALELISMO</li> <li>○ REDONDEZ (CIRCULARIDAD)</li> <li>⊘ CILINDRICIDAD</li> <li>⊖ PERFIL DE CUALQUIER SUPERFICIE</li> <li>⌒ PERFIL DE CUALQUIER LINEA</li> <li>∠ VARIACION</li> <li>⊕ POSICION REAL</li> <li>⊙ CONCENTRICIDAD</li> <li>≡ SIMETRIA</li> </ul>	ASME Y14.5M 1994

DESCRIPCION:	MODEL-RFHP-48FR OUTLINE
TAMAÑO:	C
NUMERO DE DIBUJO:	FC3156F
ESCALA:	NONE
HOJA:	1

# Uncontrolled Copy

REV	ECO	REV BY	DATE	APPD	DATE
C	0029048	D.RODRIGUEZ	10-18-2012	J.HESS	10-18-2012



**NOTES:**

1. FOR USE WITH 614129 NAMEPLATE BLANK
2. — — — — — INDICATES DIMENSION LIMITS
3. DIE TO BE MADE FROM MASTER SUPPLIED BY REGAL
4. DIE MUST PRODUCE A LEGIBLE IMPRESSION.

<b>GEOMETRIC CHARACTERISTICS &amp; SYMBOLS</b> ▮ FLATNESS — STRAIGHTNESS ∟ ANGULARITY ⊥ PERPENDICULARITY (SQUARENESS) // PARALLELISM ○ ROUNDNESS (CIRCULARITY) ∅ CYLINDRICITY △ PROFILE OF ANY SURFACE ∩ PROFILE OF ANY LINE ∞ RUNOUT ⊕ TRUE POSITION ⊙ CONCENTRICITY = SYMMETRY	UNLESS OTHERWISE SPECIFIED DIM. TOLERANCES ARE AS FOLLOWS: X XX XXX XXXX INCH ±.1 ±.02 ±.005 ±.0005 mm ±0.5 ±0.13 ±0.013 ANG. ±.50 DEG REMOVE BURRS & BREAK SHARP EDGES: INCH .003-.015 mm 0.1-0.4 CORNER FILLETS TO: INCH .020 mm 0.5 MACHINE SURFACES: INCH 125 mm 3.2 METRIC DIMS. SHOWN IN [BRACKETS]	DR BY: jrupert APPD: triley THIRD ANGLE PROJECTION	02-03-2009 02-03-2009 EDS DATE 11-11-2011 FORMAT REV H	<b>REGAL-BELOIT CORPORATION</b>	DESCRIPTION CONN DIAGRAM EXTERNAL
				SIZE A SCALE NONE	DWG NO 614131-045
				SHEET 1	