

PRODUCT INFORMATION PACKET



Model No:
Catalog No: FC1156F
MODEL-RFHP-48FR
Condenser Fans



Regal and Century are trademarks of Regal Beloit Corporation or one of its affiliated companies.
©2020 Regal Beloit Corporation, All Rights Reserved. MC017097E





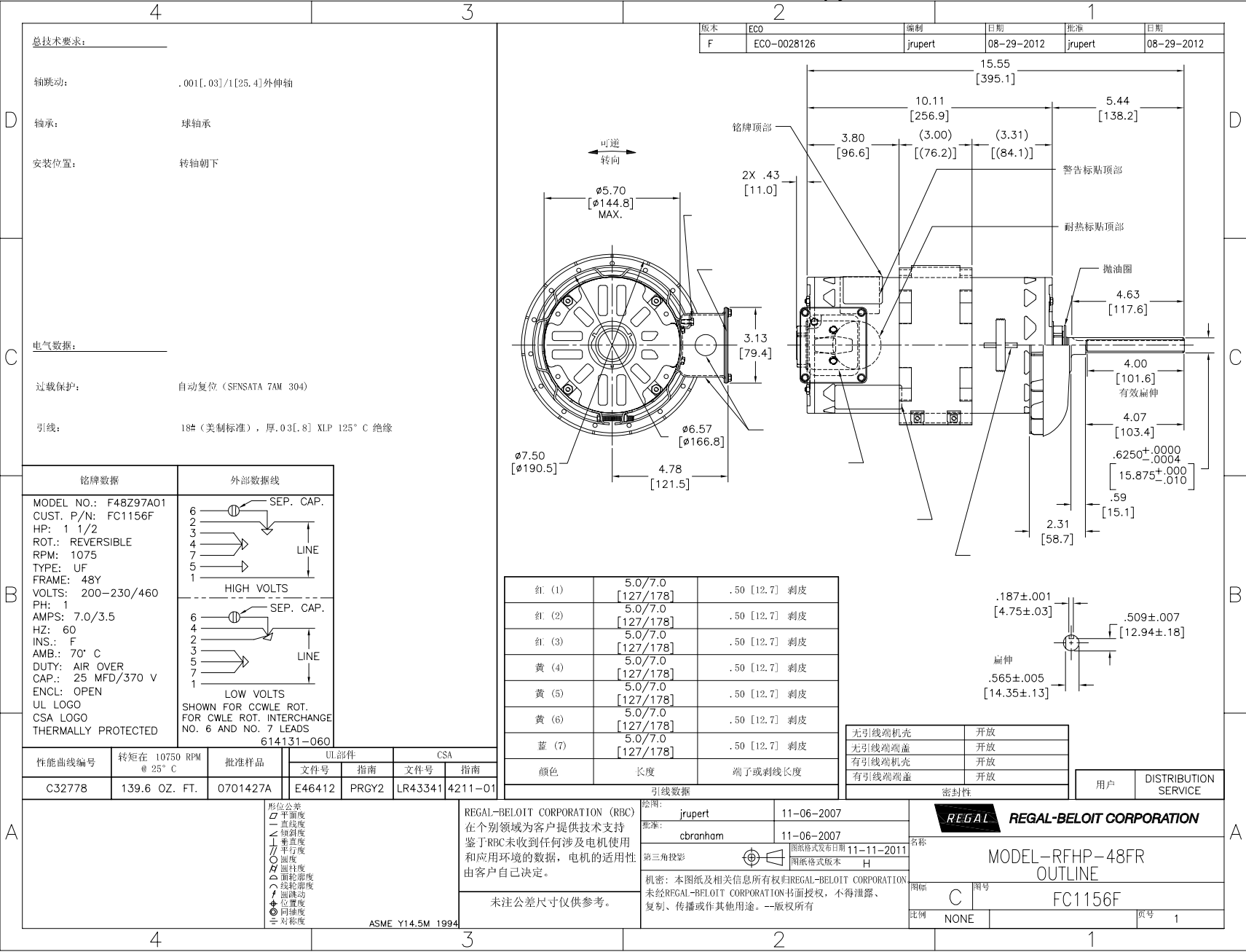
Nameplate Specifications

Output HP	1 1/2 HP	Output KW	1.1 kW
Frequency	60 Hz	Voltage	200-230/460 V
Current	7.0/3.5 A	Speed	1075 RPM
Service Factor	1	Phase	1
Duty	Air Over	Insulation Class	F
Frame	48Y	Enclosure	Open Enclosed
Overload Protector	Automatic	Ambient Temperature	70 °C
UL	Recognized	CSA	Y
CE	N		

Technical Specifications

Electrical Type	Permanent Split Capacitor	Starting Method	Induction Run
Poles	6	Rotation	Reversible
Mounting	Round Belly Band	Motor Orientation	Vertical Shaft Up
Drive End Bearing	203 Ball	Opp Drive End Bearing	Ball
Frame Material	Rolled Steel	Shaft Type	Keyed
Overall Length	15.98 in	Frame Length	9.50 in
Shaft Diameter	0.600 in	Shaft Extension	4.1 in
Outline Drawing	FC1156F-S01	Connection Diagram	614131-060

This is an uncontrolled document once printed or downloaded and is subject to change without notice. Date Created: 11/18/2020



总技术要求: _____

轴跳动: .001[.03]/1[25.4]外伸轴

轴承: 球轴承

安装位置: 转轴朝下

电气数据: _____

过载保护: 自动复位 (SENSATA 7AM 304)

引线: 18# (美制标准), 厚.03[.8] XLP 125° C 绝缘

铭牌数据	外部数据																												
MODEL NO.: F48Z97A01 CUST. P/N: FC1156F HP: 1 1/2 ROT.: REVERSIBLE RPM: 1075 TYPE: UF FRAME: 48Y VOLTS: 200-230/460 PH: 1 AMPS: 7.0/3.5 HZ: 60 INS.: F AMB.: 70° C DUTY: AIR OVER CAP.: 25 MFD/370 V ENCL: OPEN UL LOGO CSA LOGO THERMALLY PROTECTED	<table border="1"> <tr> <td>6</td> <td>SEP. CAP.</td> </tr> <tr> <td>2</td> <td></td> </tr> <tr> <td>3</td> <td></td> </tr> <tr> <td>4</td> <td>LINE</td> </tr> <tr> <td>7</td> <td></td> </tr> <tr> <td>5</td> <td></td> </tr> <tr> <td>1</td> <td></td> </tr> </table> <p>HIGH VOLTS</p> <table border="1"> <tr> <td>6</td> <td>SEP. CAP.</td> </tr> <tr> <td>4</td> <td></td> </tr> <tr> <td>2</td> <td></td> </tr> <tr> <td>3</td> <td>LINE</td> </tr> <tr> <td>5</td> <td></td> </tr> <tr> <td>7</td> <td></td> </tr> <tr> <td>1</td> <td></td> </tr> </table> <p>LOW VOLTS</p> <p>SHOWN FOR CW/LE ROT. FOR CW/LE ROT. INTERCHANGE NO. 6 AND NO. 7 LEADS</p> <p>614131-060</p>	6	SEP. CAP.	2		3		4	LINE	7		5		1		6	SEP. CAP.	4		2		3	LINE	5		7		1	
6	SEP. CAP.																												
2																													
3																													
4	LINE																												
7																													
5																													
1																													
6	SEP. CAP.																												
4																													
2																													
3	LINE																												
5																													
7																													
1																													

红 (1)	5.0/7.0 [127/178]	.50 [12.7]	剥皮
红 (2)	5.0/7.0 [127/178]	.50 [12.7]	剥皮
红 (3)	5.0/7.0 [127/178]	.50 [12.7]	剥皮
黄 (4)	5.0/7.0 [127/178]	.50 [12.7]	剥皮
黄 (5)	5.0/7.0 [127/178]	.50 [12.7]	剥皮
黄 (6)	5.0/7.0 [127/178]	.50 [12.7]	剥皮
蓝 (7)	5.0/7.0 [127/178]	.50 [12.7]	剥皮
颜色	长度	端子或剥线长度	

无引线端机壳	开放
无引线端端盖	开放
有引线端机壳	开放
有引线端端盖	开放

用户	DISTRIBUTION SERVICE
----	----------------------

性能曲线编号	转矩在 10750 RPM @ 25° C	批准样品	UL 部件		CSA	
			文件号	指南	文件号	指南
C32778	139.6 OZ. FT.	0701427A	E46412	PRGY2	LR43341	4211-01

形位公差 □ 平面度 〓 直线度 〓 圆筒度 ⊥ 垂直度 // 平行度 〇 圆度 〇 圆跳动 ⊕ 位置度 ⊕ 同轴度 ⊕ 对称度	ASME Y14.5M 1994
------------------------------------------------------------------------------------------------	------------------

REGAL-BELOIT CORPORATION (RBC) 在个别领域为客户提供技术支持 鉴于RBC未收到任何涉及电机使用 和应用环境的数据, 电机的适用性 由客户自己决定。

未注公差尺寸仅供参考。

图例: 制图: jrupert 日期: 11-06-2007 批准: cbrnham 日期: 11-06-2007 第三角投影 图框格式发布日期 11-11-2011 图框格式版本 H 机密: 本图纸及相关信息所有权归REGAL-BELOIT CORPORATION 未经REGAL-BELOIT CORPORATION书面授权, 不得泄露、 复制、传播或作其他用途。--版权所有	名称 REGAL REGAL-BELOIT CORPORATION MODEL-RFHP-48FR OUTLINE 图号 FC1156F 图号 1
密封性 用户	比例 NONE

GENERAL INFORMATION:

SHAFT RUNOUT: .001 [.03] T.I.R. PER INCH LENGTH OF EXTENSION

BEARINGS: BALL

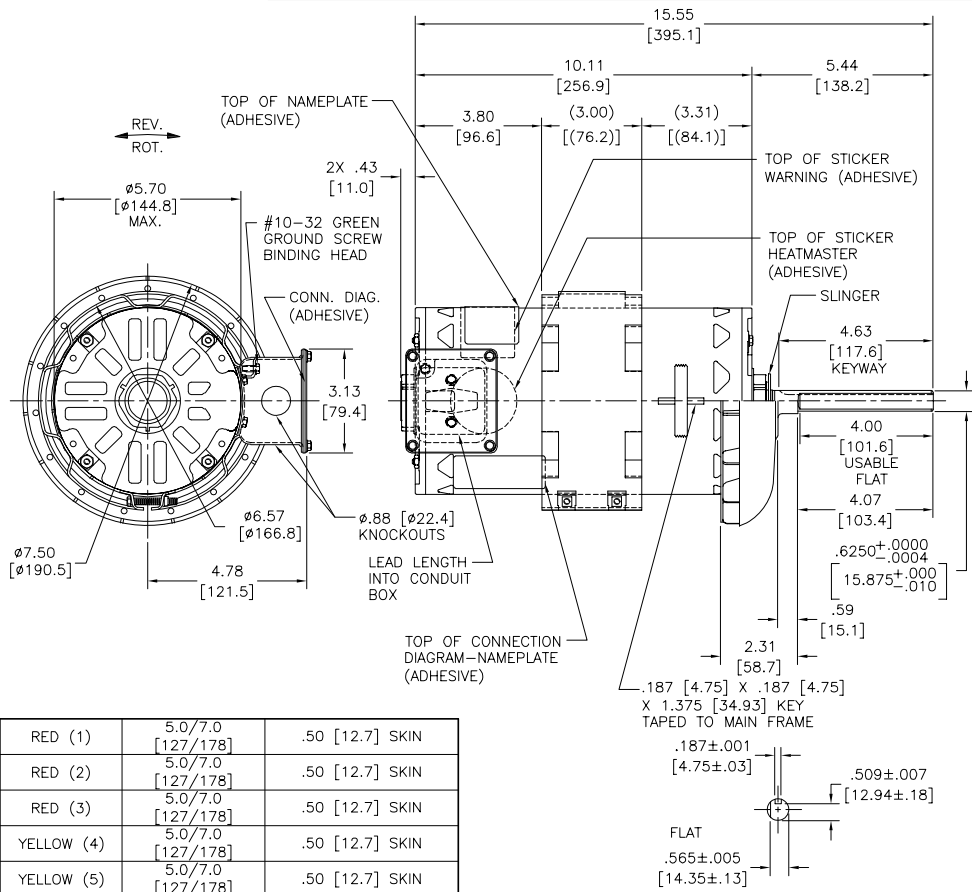
MOUNTING POSITION: VERTICAL SHAFT UP

ELECTRICAL DATA:

OVERLOAD PROTECTOR: AUTOMATIC RESET (SENSATA 7AM 304)

LEADS: NO. 18 GA., .03 [.8] THK. XLP 125°C INSUL.

REV	ECO	REV BY	DATE	APPD	DATE
F	ECO-0028126	jrupert	08-29-2012	jrupert	08-29-2012



NAMEPLATE DATA:	EXTERNAL CONNECTION DIAGRAM
MODEL NO.: F48Z97A01 CUST. P/N: FC1156F HP: 1 1/2 ROT.: REVERSIBLE RPM: 1075 TYPE: UF FRAME: 48Y VOLTS: 200-230/460 PH: 1 AMPS: 7.0/3.5 HZ: 60 INS.: F AMB.: 70° C DUTY: AIR OVER CAP.: 25 MFD/370 V ENCL: OPEN UL LOGO CSA LOGO THERMALLY PROTECTED	<p>SEP. CAP. LINE</p> <p>HIGH VOLTS</p> <p>SEP. CAP. LINE</p> <p>LOW VOLTS</p> <p>SHOWN FOR COWLE ROT. FOR CWLE ROT. INTERCHANGE NO. 6 AND NO. 7 LEADS</p> <p>614131-060</p>

PERFORMANCE CURVE NO.	TORQUE @ 1075 RPM (25°C)	APPROVED SAMPLE	UL COMPONENT FILE #	CCN #	CSA FILE #	CLASS #
C32778	139.6 OZ. FT.	0701427A	E46412	PRGY2	LR43341	4211-01

COLOR	LENGTH	TERMINAL OR STRIP LENGTH
RED (1)	5.0/7.0 [127/178]	.50 [12.7] SKIN
RED (2)	5.0/7.0 [127/178]	.50 [12.7] SKIN
RED (3)	5.0/7.0 [127/178]	.50 [12.7] SKIN
YELLOW (4)	5.0/7.0 [127/178]	.50 [12.7] SKIN
YELLOW (5)	5.0/7.0 [127/178]	.50 [12.7] SKIN
YELLOW (6)	5.0/7.0 [127/178]	.50 [12.7] SKIN
BLUE (7)	5.0/7.0 [127/178]	.50 [12.7] SKIN

MAIN FRAME - OLE	OPEN
END FRAME - OLE	OPEN
MAIN FRAME - LE	OPEN
END FRAME - LE	OPEN

GEOMETRIC CHARACTERISTICS & SYMBOLS
 □ FLATNESS
 - STRAIGHTNESS
 < ANGLARITY
 ⊥ PERPENDICULARITY (SQUARENESS)
 // PARALLELISM
 ○ ROUNDNESS (CIRCULARITY)
 ∅ CYLINDRICITY
 ~ PROFILE OF ANY SURFACE
 ~ PROFILE OF ANY LINE
 † RUNOUT
 ⊕ TRUE POSITION
 ⊙ CONCENTRICITY
 = SYMMETRY
 ASME Y14.5M 1994

REGAL-BELOIT CORPORATION (RBC) PROVIDES TECHNICAL ASSISTANCE TO OUR CUSTOMERS IN SEVERAL AREAS. SINCE RBC DOES NOT RECEIVE ALL DATA CONCERNING THE USE AND APPLICATION OF THE MOTOR, THE SUITABILITY OF THE MOTOR FOR THE APPLICATION MUST BE DETERMINED BY THE CUSTOMER.
 DIMENSIONS WITHOUT TOLERANCES ARE FOR REFERENCE ONLY.

DR BY: jrupert	11-06-2007
APPD: cbrnham	11-06-2007
THRD ANGLE PROJECTION	EDS DATE 11-11-2011 FORMAT REV H

CONFIDENTIAL: THIS DRAWING AND ITS INFORMATION ARE THE EXCLUSIVE AND CONFIDENTIAL PROPERTY OF REGAL-BELOIT CORPORATION AND ARE NOT TO BE DISCLOSED, DUPLICATED, DISTRIBUTED OR OTHERWISE USED WITHOUT THE WRITTEN CONSENT OF REGAL-BELOIT CORPORATION. -ALL RIGHTS RESERVED.

REGAL REGAL-BELOIT CORPORATION

DESCRIPTION: MODEL-RFHP-48FR OUTLINE

SIZE: C DWG NO: FC1156F

SCALE: NONE SHEET: 1

INFORMACION GENERAL:

OSCILACION DE FLECHA: .001 [.03] T.I.R. PER INCH LENGTH OF EXTENSION

BALEROS: BALERO

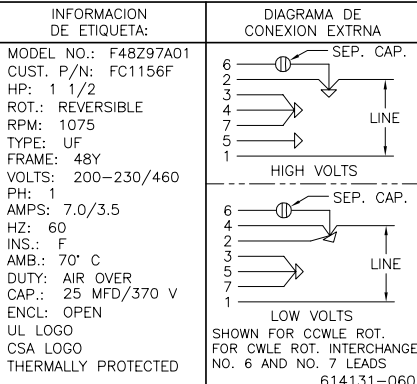
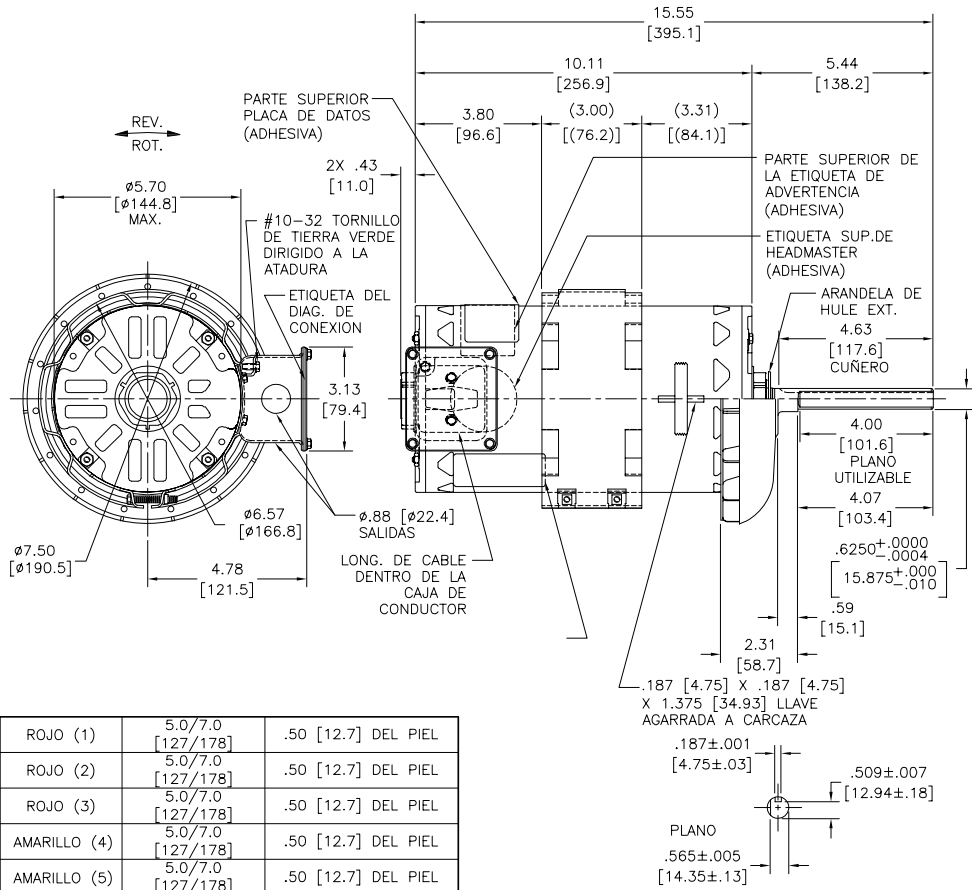
POSICION DEL MONTAJE: FLECHA VERTICAL ENCIMA DE

INFORMACION ELECTRICA:

SOBRECARGA DEL PROTECTOR: REINICIO AUTOMATIC (SENSATA 7AM 304)

CABLES: NO. 18 GA., .03 [.8] THK. XLP 125°C AISLAM.

REVISION:	ECO	REVISADO POR:	FECHA:	APROBADO POR:	FECHA:
F	ECO-0028126	jrupert	08-29-2012	jrupert	08-29-2012



CURVAS DE FUNCIONAMIENTO	TORSION @ 1075 RPM (25°C)	MUESTRA APROBADA	COMPONENTE UL	CSA
C32778	139.6 OZ. FT.	0701427A	E46412 PRGY2	LR43341 4211-01

ROJO (1)	5.0/7.0 [127/178]	.50 [12.7] DEL PIEL
ROJO (2)	5.0/7.0 [127/178]	.50 [12.7] DEL PIEL
ROJO (3)	5.0/7.0 [127/178]	.50 [12.7] DEL PIEL
AMARILLO (4)	5.0/7.0 [127/178]	.50 [12.7] DEL PIEL
AMARILLO (5)	5.0/7.0 [127/178]	.50 [12.7] DEL PIEL
AMARILLO (6)	5.0/7.0 [127/178]	.50 [12.7] DEL PIEL
AZUL (7)	5.0/7.0 [127/178]	.50 [12.7] DEL PIEL
COLOR	LONGITUD	TERMINAL O LONGITUD DE DESFORRE

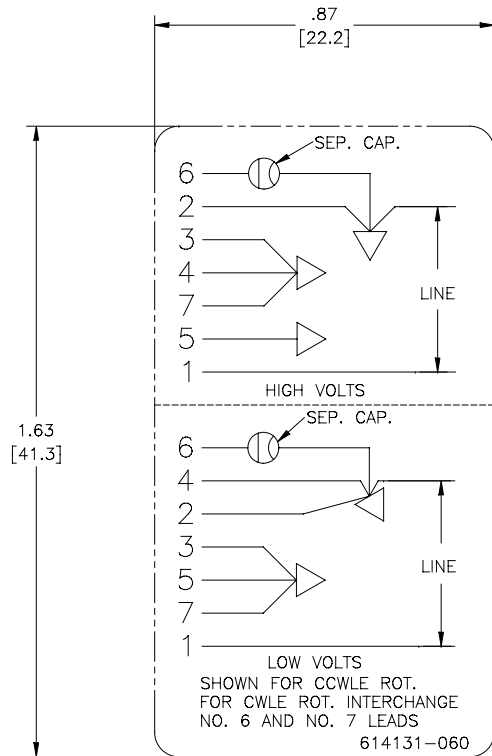
DE CARCASA - OLE	ABIERTA
DE TAPA - OLE	ABIERTA
DE CARCASA - LE	ABIERTA
DE TAPA - LE	ABIERTA
TIPO DE MOTOR	

CARACTERISTICAS DE GEOMETRIA Y SIMBOLOS:
 ▽ PLANICIDAD
 ⊥ RECTITUD
 ∠ ANGULARIDAD
 ⊥ PERPENDICULARIDAD (A ESQUADRA)
 // PARALELISMO
 ○ REDONDEZ (CIRCULARIDAD)
 A CILINDRICIDAD
 ⊖ PERFIL DE CUALQUIER SUPERFICIE
 ⊖ PERFIL DE CUALQUIER LINEA
 ≠ VARIACION
 ⊕ POSICION REAL
 ⊕ CONCENTRICIDAD
 ⊖ SIMETRIA ASME Y14.5M 1994

REGAL-BELOIT CORPORATION (RBC)
 PROVEE ASISTENCIA TECNICA A NUESTROS CLIENTES EN VARIAS AREAS. DESDE QUE RBC NO RECIBE TODOS LOS DATOS EN RELACION AL USO Y A LA APLICACION DEL MOTOR, LA APLICACION ADECUADA DEL MOTOR DEBE SER DETERMINADA POR EL CLIENTE.
 DIMENSIONES SIN TOLERANCIA SON DE REFERENCIA SOLAMENTE

DIBUJADO POR:	jrupert	11-06-2007
APROBADO POR:	cbranhm	11-06-2007
TERCER ANGULO DE PROYECCION		FECHA EDS: 11-11-2011 REV. FORMATO: H
CONFIDENCIAL: ESTE DIBUJO Y SU INFORMACION SON PROPIEDAD DE USO EXCLUSIVO Y CONFIDENCIAL DE REGAL-BELOIT CORPORATION, Y NO DEBERAN SER REVELADOS, DUPLICADOS, DISTRIBUIDOS O USARSE DE OTRA MANERA SIN EL CONSENTIMIENTO ESCRITO DE REGAL-BELOIT CORPORATION. -TODOS LOS DERECHOS RESERVADOS.		

REGAL-BELOIT CORPORATION	
DESCRIPCION:	MODEL-RFHP-48FR OUTLINE
TAMAÑO:	C
NUMERO DE DIBUJO:	FC1156F
ESCALA:	NONE
HOJA:	1



NOTES:

1. FOR USE WITH 614129 NAMEPLATE BLANK(OR 2513020-001 NAMEPLATE BLANKS)
2. ——— INDICATES DIMENSION LIMITS

DRAWING REVISION C	REVISION BY C.ZHOU	DATE 07-30-2015	TOLERANCES UNLESS OTHERWISE SPECIFIED	DRAWN BY: Cherry Zhang	
ECD 0082510	APPROVED BY C.ZHANG	DATE 07-30-2015	DEC. INCH mm ANGLE X ±0.1 [±0.5] ±0.5° JXX ±0.02 [±0.13] .XXX ±0.005 [±0.013] .XXXX ±0.0005 [±0.0013]	DATE: 03-28-2011	
ECD DESCRIPTION ZONE B3 ADD REVERSING TEXT			REMOVE BURRS & BREAK SHARP EDGES .003/015 [08,38] CORNER FILLETS .02 [3]	APPROVED BY: Tiger Wang	DESCRIPTION CONN DIAGRAM-NAMEPLATE
<small>COPYRIGHT REGAL BELOIT AMERICA, INC. ALL RIGHTS RESERVED. PROPRIETARY AND CONFIDENTIAL INFORMATION - THIS DOCUMENT IS THE PROPERTY OF REGAL BELOIT AMERICA, INC. (CONES) AND CONTAINS OWNERS PROPRIETARY INFORMATION. ANY REPRODUCTION, COPIATION OR OTHER FIRM RECEIVING IT IS DENIED. BY RECEIVING IT, TO AGREE THAT IT, AND/OR ANY PART OF IT, SHALL NOT BE DISCLOSED TO ANY PERSON, CORPORATION OR OTHER ENTITY, SUPPLIER, AND/OR USER, EXCEPT AS EXPRESSLY APPROVED IN WRITING BY OWNER. THIS DOCUMENT SHALL BE RETURNED TO OWNER UPON REQUEST. IT MAY BE SUBJECT TO CERTAIN RESTRICTIONS UNDER APPLICABLE EXPORT CONTROL LAWS AND REGULATIONS.</small>			MACHINED SURFACES INCH mm mm SHOWN IN BRACKETS	DATE: 03-28-2011	MATERIAL -
			THIRD ANGLE PROJECTION	REFERENCE -	PROCESS/FINISH -
			SIZE DWG NO C	614131-060	SHEET 1

GENERAL INFORMATION:

SHAFT RUNOUT: .001 [.03] T.I.R. PER INCH LENGTH OF EXTENSION

BEARINGS: BALL

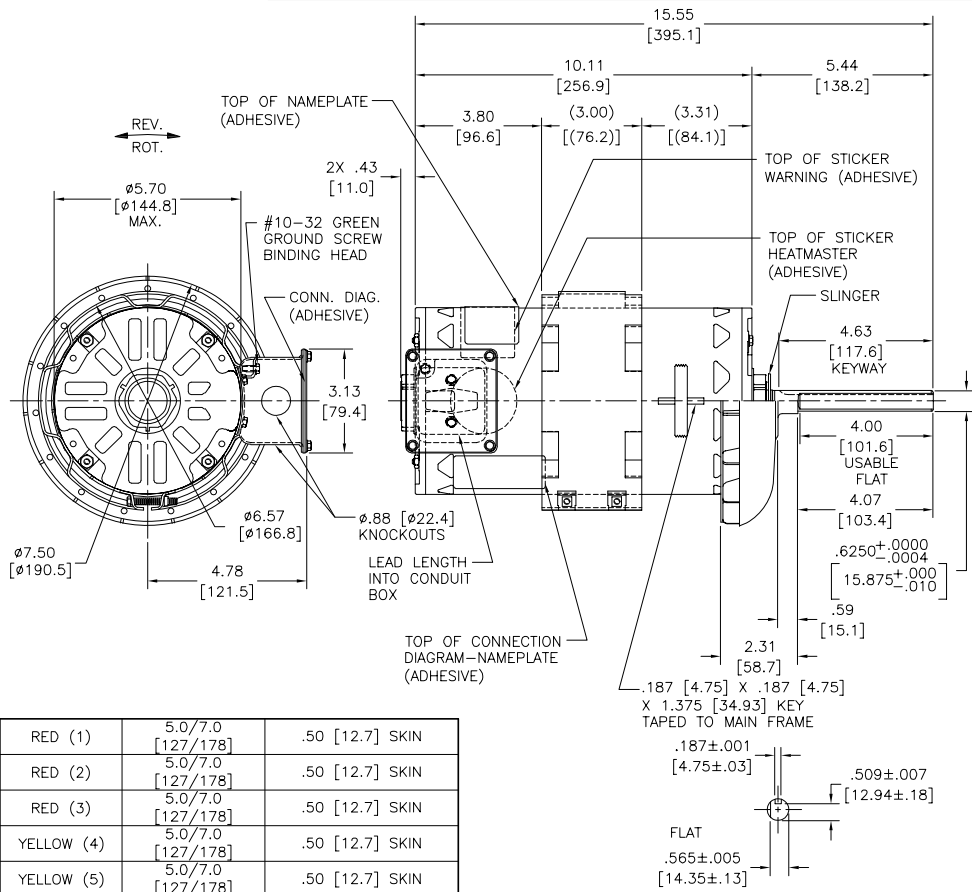
MOUNTING POSITION: VERTICAL SHAFT UP

ELECTRICAL DATA:

OVERLOAD PROTECTOR: AUTOMATIC RESET (SENSATA 7AM 304)

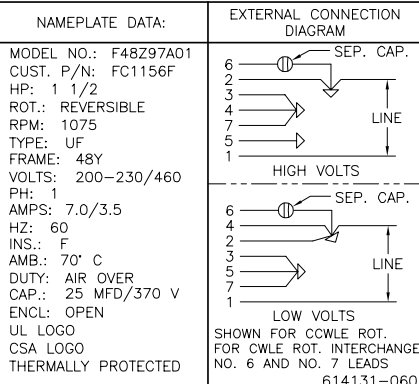
LEADS: NO. 18 GA., .03 [.8] THK. XLP 125°C INSUL.

REV	ECO	REV BY	DATE	APPD	DATE
F	ECO-0028126	jrupert	08-29-2012	jrupert	08-29-2012



COLOR	LENGTH	TERMINAL OR STRIP LENGTH
RED (1)	5.0/7.0 [127/178]	.50 [12.7] SKIN
RED (2)	5.0/7.0 [127/178]	.50 [12.7] SKIN
RED (3)	5.0/7.0 [127/178]	.50 [12.7] SKIN
YELLOW (4)	5.0/7.0 [127/178]	.50 [12.7] SKIN
YELLOW (5)	5.0/7.0 [127/178]	.50 [12.7] SKIN
YELLOW (6)	5.0/7.0 [127/178]	.50 [12.7] SKIN
BLUE (7)	5.0/7.0 [127/178]	.50 [12.7] SKIN

MAIN FRAME - OLE	OPEN
END FRAME - OLE	OPEN
MAIN FRAME - LE	OPEN
END FRAME - LE	OPEN



PERFORMANCE CURVE NO.	TORQUE @ 1075 RPM (25°C)	APPROVED SAMPLE	UL COMPONENT FILE #	CCN #	CSA FILE #	CLASS #
C32778	139.6 OZ. FT.	0701427A	E46412	PRGY2	LR43341	4211-01

GEOMETRIC CHARACTERISTICS & SYMBOLS

- FLATNESS
- STRAIGHTNESS
- ANGULARITY
- PERPENDICULARITY (SQUARENESS)
- PARALLELISM
- ROUNDNESS (CIRCULARITY)
- CYLINDRICITY
- PROFILE OF ANY SURFACE
- PROFILE OF ANY LINE
- RUNOUT
- TRUE POSITION
- CONCENTRICITY
- SYMMETRY

ASME Y14.5M 1994

REGAL-BELOIT CORPORATION (RBC) PROVIDES TECHNICAL ASSISTANCE TO OUR CUSTOMERS IN SEVERAL AREAS. SINCE RBC DOES NOT RECEIVE ALL DATA CONCERNING THE USE AND APPLICATION OF THE MOTOR, THE SUITABILITY OF THE MOTOR FOR THE APPLICATION MUST BE DETERMINED BY THE CUSTOMER.

DIMENSIONS WITHOUT TOLERANCES ARE FOR REFERENCE ONLY.

DR BY: jrupert 11-06-2007

APPD: cbrnham 11-06-2007

THIRD ANGLE PROJECTION

EDS DATE 11-11-2011
 FORMAT REV H

CONFIDENTIAL: THIS DRAWING AND ITS INFORMATION ARE THE EXCLUSIVE AND CONFIDENTIAL PROPERTY OF REGAL-BELOIT CORPORATION AND ARE NOT TO BE DISCLOSED, DUPLICATED, DISTRIBUTED OR OTHERWISE USED WITHOUT THE WRITTEN CONSENT OF REGAL-BELOIT CORPORATION. -ALL RIGHTS RESERVED.

REGAL REGAL-BELOIT CORPORATION

DESCRIPTION: MODEL-RFHP-48FR OUTLINE

SIZE: C DWG NO: FC1156F

SCALE: NONE SHEET: 1

INFORMACION GENERAL:

OSCILACION DE FLECHA: .001 [.03] T.I.R. PER INCH LENGTH OF EXTENSION

BALEROS: BALERO

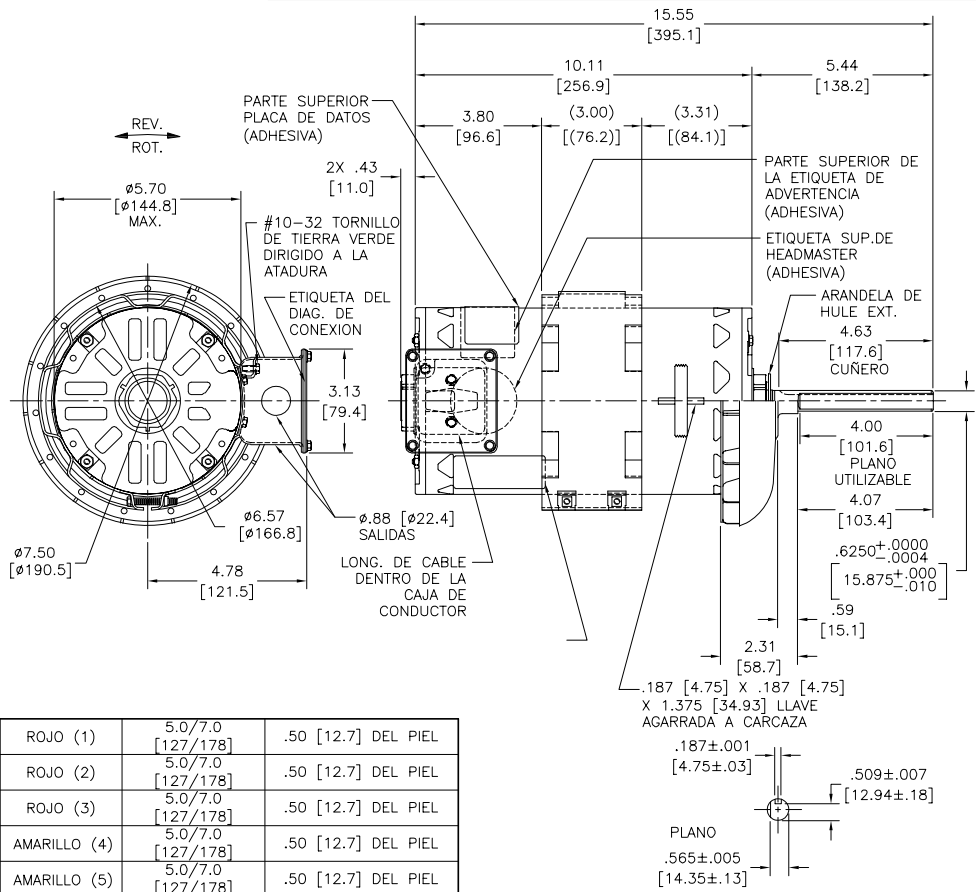
POSICION DEL MONTAJE: FLECHA VERTICAL ENCIMA DE

INFORMACION ELECTRICA:

SOBRECARGA DEL PROTECTOR: REINICIO AUTOMATIC (SENSATA 7AM 304)

CABLES: NO. 18 GA., .03 [.8] THK. XLP 125°C AISLAM.

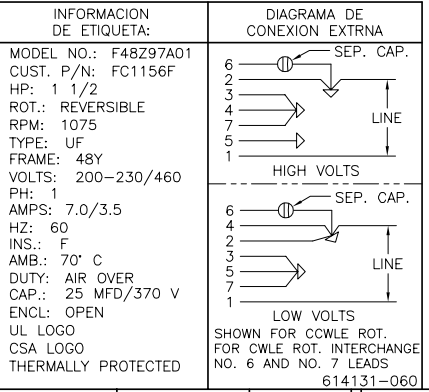
REVISION:	ECO	REVISADO POR:	FECHA:	APROBADO POR:	FECHA:
F	ECO-0028126	jrupert	08-29-2012	jrupert	08-29-2012



ROJO (1)	5.0/7.0 [127/178]	.50 [12.7] DEL PIEL
ROJO (2)	5.0/7.0 [127/178]	.50 [12.7] DEL PIEL
ROJO (3)	5.0/7.0 [127/178]	.50 [12.7] DEL PIEL
AMARILLO (4)	5.0/7.0 [127/178]	.50 [12.7] DEL PIEL
AMARILLO (5)	5.0/7.0 [127/178]	.50 [12.7] DEL PIEL
AMARILLO (6)	5.0/7.0 [127/178]	.50 [12.7] DEL PIEL
AZUL (7)	5.0/7.0 [127/178]	.50 [12.7] DEL PIEL
COLOR	LONGITUD	TERMINAL O LONGITUD DE DESFORRE

DE CARCASA - OLE	ABIERTA
DE TAPA - OLE	ABIERTA
DE CARCASA - LE	ABIERTA
DE TAPA - LE	ABIERTA
TIPO DE MOTOR	

CLIENTE	DISTRIBUTION SERVICE
---------	----------------------



CURVAS DE FUNCIONAMIENTO	TORSION @ 1075 RPM (25°C)	MUESTRA APROBADA	COMPONENTE UL	CSA
C32778	139.6 OZ. FT.	0701427A	E46412 PRGY2	LR43341 4211-01

CARACTERISTICAS DE GEOMETRIA Y SIMBOLOS

- PLANICIDAD
- RECTITUD
- ANGULARIDAD
- PERPENDICULARIDAD (A ESQUADRA)
- PARALELISMO
- REDONDEZ (CIRCULARIDAD)
- CILINDRICIDAD
- PERFIL DE CUALQUIER SUPERFICIE
- PERFIL DE CUALQUIER LINEA
- VARIACION
- POSICION REAL
- CONCENTRICIDAD
- SIMETRIA

ASME Y14.5M 1994

REGAL-BELOIT CORPORATION (RBC) PROVEE ASISTENCIA TECNICA A NUESTROS CLIENTES EN VARIAS AREAS. DESDE QUE RBC NO RECIBE TODOS LOS DATOS EN RELACION AL USO Y A LA APLICACION DEL MOTOR, LA APLICACION ADECUADA DEL MOTOR DEBE SER DETERMINADA POR EL CLIENTE.

DIMENSIONES SIN TOLERANCIA SON DE REFERENCIA SOLAMENTE

DIBUJADO POR: jrupert 11-06-2007

APROBADO POR: cbranhm 11-06-2007

FECHA EDS: 11-11-2011
REV. FORMATO: H

TERCER ANGULO DE PROYECCION

CONFIDENCIAL: ESTE DIBUJO Y SU INFORMACION SON PROPIEDAD DE USO EXCLUSIVO Y CONFIDENCIAL DE REGAL-BELOIT CORPORATION. Y NO DEBERAN SER REVELADOS, DUPLICADOS, DISTRIBUIDOS O USARSE DE OTRA MANERA SIN EL CONSENTIMIENTO ESCRITO DE REGAL-BELOIT CORPORATION. -TODOS LOS DERECHOS RESERVADOS.

REGAL REGAL-BELOIT CORPORATION

DESCRIPCION: MODEL-RFHP-48FR OUTLINE

TAMANO: C NUMERO DE DIBUJO: FC1156F

ESCALA: NONE HOJA: 1