

PRODUCT INFORMATION PACKET



Model No: FC1046F
Catalog No: FC1046F
.4 HP Condenser Fan Motor, 1075 RPM, 200-230/460 Volts, 48 Frame, OAO
Condenser Fans Motors



Regal and Century are trademarks of Regal Beloit Corporation or one of its affiliated companies.
©2020 Regal Beloit Corporation, All Rights Reserved. MC017097E





Nameplate Specifications

Output HP	.4 Hp	Output KW	0.30 kW
Frequency	60 Hz	Voltage	200-230/460 V
Current	3.2/1.6 A	Speed	1075 rpm
Service Factor	1	Phase	1
Duty	Air Over	Insulation Class	F
Frame	48Y	Enclosure	Open Enclosed
Thermal Protection	Automatic	Ambient Temperature	70 °C
UL	Recognized	CSA	Y
CE	N		

Technical Specifications

Electrical Type	Permanent Split Capacitor	Starting Method	Across The Line
Poles	6	Rotation	Reversible
Mounting	Round Belly Band	Motor Orientation	Vertical Shaft Up
Drive End Bearing	Ball	Opp Drive End Bearing	Ball
Frame Material	Rolled Steel	Shaft Type	Double Flat
Overall Length	10.74 in	Frame Length	4.75 in
Shaft Diameter	0.500 in	Shaft Extension	3.6 in
Outline Drawing	FC1046F-S01	Connection Drawing	614131-060

This is an uncontrolled document once printed or downloaded and is subject to change without notice. Date Created:06/11/2020

GENERAL INFORMATION:

SHAFT RUNOUT: .001 [.03] T.I.R. PER INCH LENGTH OF EXTENSION

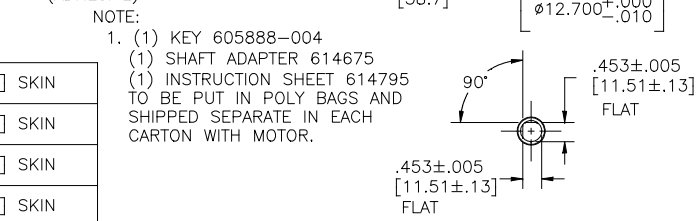
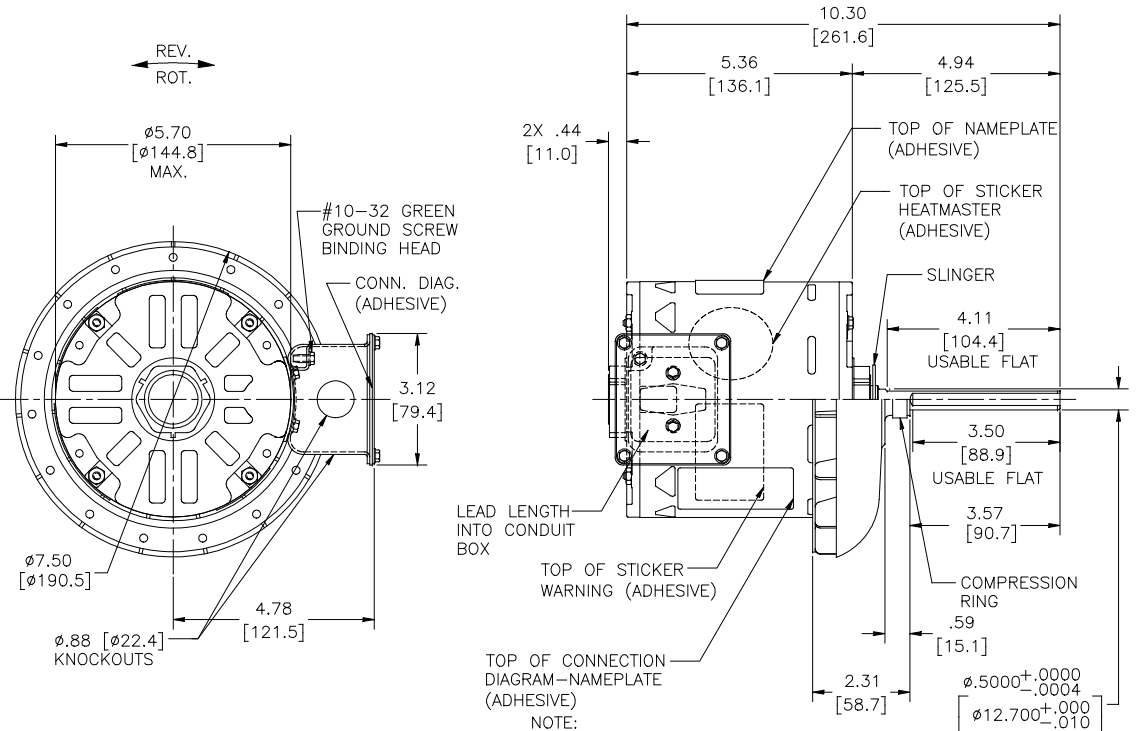
BEARINGS: BALL

MOUNTING POSITION: VERTICAL SHAFT UP

ELECTRICAL DATA:

OVERLOAD PROTECTOR: AUTOMATIC RESET (SENSATA 7AM 304)

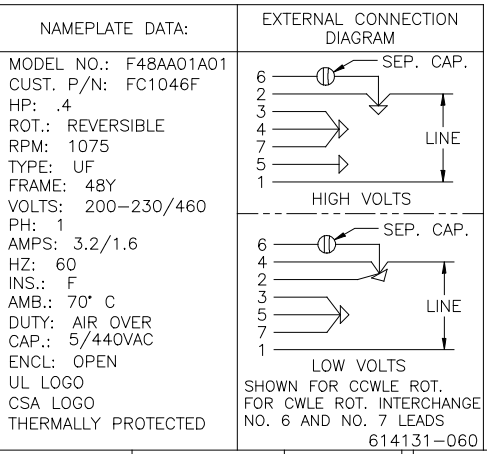
LEADS: NO. 18 GA., .03 [.8] THK. XLP 125°C INSUL.



- NOTE:
 1. (1) KEY 605888-004
 (1) SHAFT ADAPTER 614675
 (1) INSTRUCTION SHEET 614795
 TO BE PUT IN POLY BAGS AND SHIPPED SEPARATE IN EACH CARTON WITH MOTOR.

COLOR	LENGTH	TERMINAL OR STRIP LENGTH
RED (1)	5.0/7.0 [127/178]	.50 [12.7] SKIN
RED (2)	5.0/7.0 [127/178]	.50 [12.7] SKIN
RED (3)	5.0/7.0 [127/178]	.50 [12.7] SKIN
YELLOW (4)	5.0/7.0 [127/178]	.50 [12.7] SKIN
YELLOW (5)	5.0/7.0 [127/178]	.50 [12.7] SKIN
YELLOW (6)	5.0/7.0 [127/178]	.50 [12.7] SKIN
BLUE (7)	5.0/7.0 [127/178]	.50 [12.7] SKIN

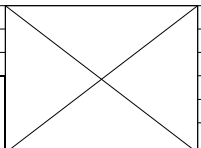
ENCLOSURE	OPEN
MAIN FRAME - OLE	OPEN
END FRAME - OLE	OPEN
MAIN FRAME - LE	OPEN
END FRAME - LE	OPEN



PERFORMANCE CURVE NO.	TORQUE @ 1075 RPM (25°C)	APPROVED SAMPLE	UL COMPONENT FILE #	CCN #	CSA FILE #	CLASS #
C18075	30.0 OZ. FT.	0701429A	E46412	PRGY2	LR43341	4211-01

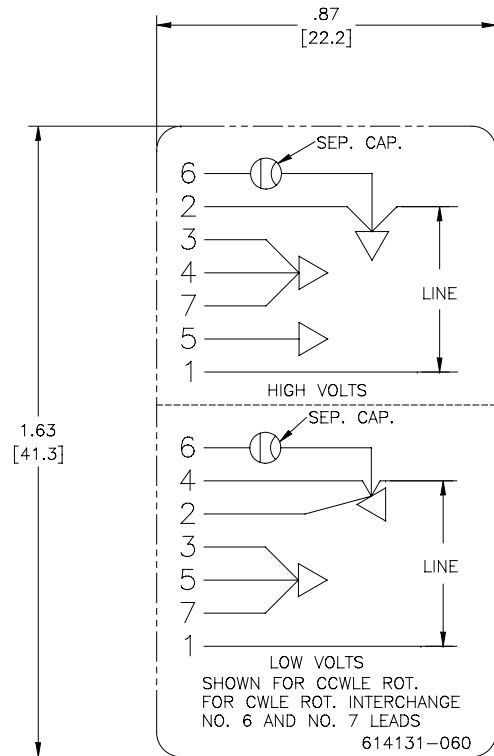
REGAL-BELOIT CORPORATION (RBC) PROVIDES TECHNICAL ASSISTANCE TO OUR CUSTOMERS IN SEVERAL AREAS. SINCE RBC DOES NOT RECEIVE ALL DATA CONCERNING THE USE AND APPLICATION OF THE MOTOR, THE SUITABILITY OF THE MOTOR FOR THE APPLICATION MUST BE DETERMINED BY THE CUSTOMER.

DRAWING REVISION	REVISION BY	DATE
C	JERRY CHAI	10-07-2018
E	TRICIA NIEDERHOLTMEYER	10-07-2018



DRAWN BY: JEFF RUPERT	DATE: 09-21-2007	APPROVED BY: CBRANHAM	DATE: 09-21-2007
DESCRIPTION: MODEL-RFHP-48FR OUTLINE	MATERIAL: -	PROCESS/FINISH: -	SIZE: FC1046F
THIRD ANGLE PROJECTION	SIZE: C	DWG NO: FC1046F	SHEET: 1

DIMENSIONS WITHOUT TOLERANCES ARE FOR REFERENCE ONLY.



NOTES:

1. FOR USE WITH 614129 NAMEPLATE BLANK(OR 2513020-001 NAMEPLATE BLANKS)
2. ——— INDICATES DIMENSION LIMITS

DRAWING REVISION C	REVISION BY C.ZHOU	DATE 07-30-2015	TOLERANCES UNLESS OTHERWISE SPECIFIED	DRAWN BY: Cherry Zhang	
ECO 0082510	APPROVED BY C.ZHANG	DATE 07-30-2015	DEC. INCH mm ANGLE .XX ±0.1 [±0.5] ±0.5° .JXX ±0.02 [±0.13] .XXX ±0.005 [±0.013] .XXXX ±0.0005 [±0.0013]	DATE: 03-28-2011	
ECO DESCRIPTION ①ZONE B3 ADD REVERSING TEXT			REMOVE BURRS & BREAK SHARP EDGES .003/015 [08,38]	APPROVED BY: Tiger Wang	DESCRIPTION CONN DIAGRAM-NAMEPLATE
<small>COPYRIGHT REGAL BELOIT AMERICA, INC. ALL RIGHTS RESERVED. PROPRIETARY AND CONFIDENTIAL INFORMATION - THIS DOCUMENT IS THE PROPERTY OF REGAL BELOIT AMERICA, INC. (OWNER) AND CONTAINS OWNER'S PROPRIETARY INFORMATION. ANY REPRODUCTION, COPIATION OR OTHER FIRM RECEIVING IT IS DENIED. BY RECEIVING IT, TO AGREE THAT IT, AND/OR ANY PART OF IT, SHALL NOT BE DISCLOSED TO ANY PERSON, CORPORATION OR OTHER ENTITY, SUPPLIER, AND/OR USER EXCEPT AS EXPRESSLY APPROVED IN WRITING BY OWNER. THIS DOCUMENT SHALL BE RETURNED TO OWNER UPON REQUEST. IT MAY BE SUBJECT TO CERTAIN RESTRICTIONS UNDER APPLICABLE EXPORT CONTROL LAWS AND REGULATIONS.</small>			CORNER FILLETS .02 [5] MACHINED SURFACES	DATE: 03-28-2011	MATERIAL
			INCH mm	REFERENCE	PROCESS/FINISH
			mm SHOWN IN BRACKETS	THIRD ANGLE PROJECTION	SIZE DWG NO C 614131-060
					SHEET 1