

PRODUCT INFORMATION PACKET



Model No: F1106
Catalog No: F1106
1 HP Condenser Fan Motor, 1075 RPM, 208-230 Volts, 48 Frame, Semi Enclosed
Condenser Fans Motors



Regal and Century are trademarks of Regal Beloit Corporation or one of its affiliated companies.
©2020 Regal Beloit Corporation, All Rights Reserved. MC017097E

The REGAL logo is a grey, trapezoidal shape with the word 'REGAL' in white, bold, uppercase letters inside. It is positioned on a blue, textured background that tapers to the right.

REGAL



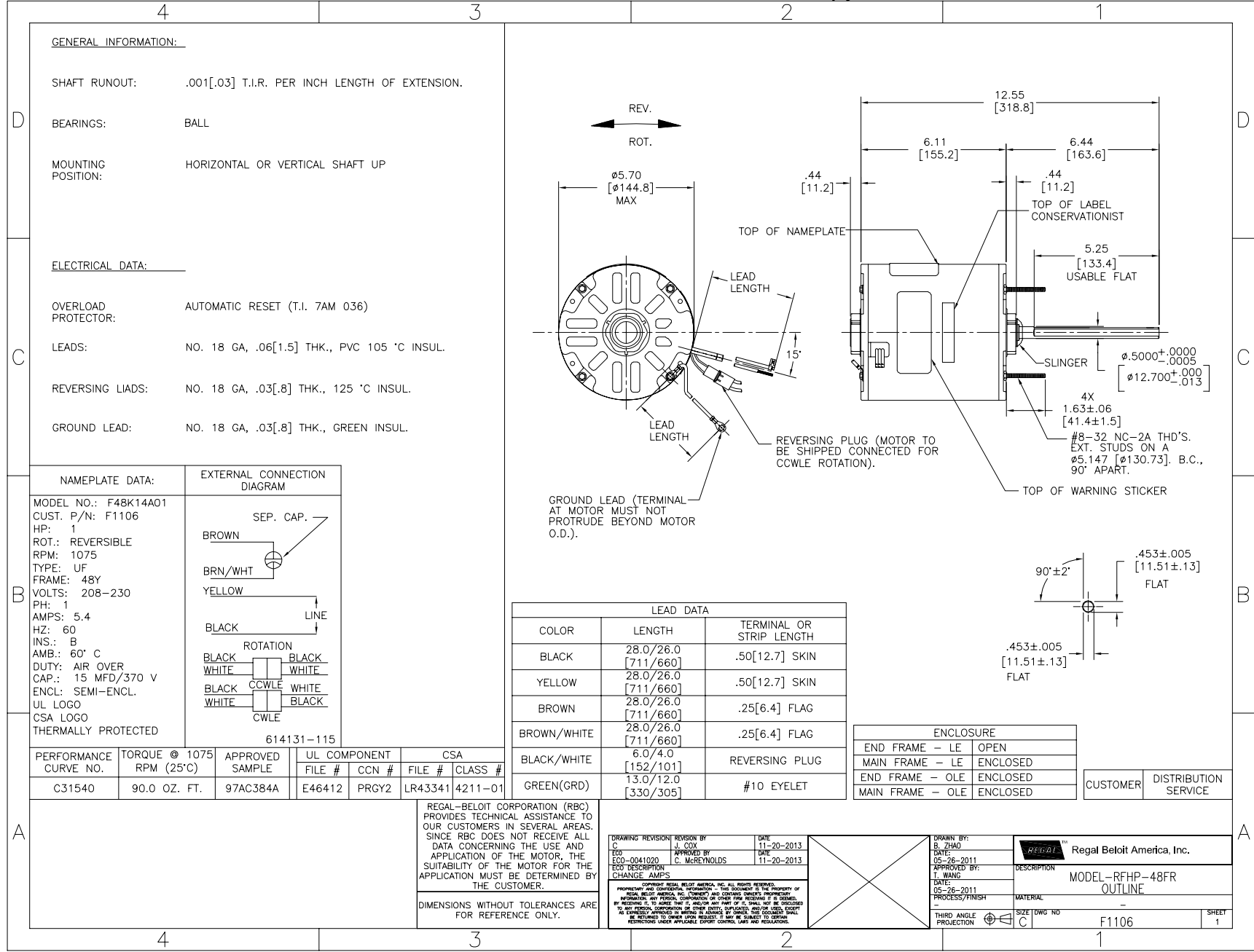
Nameplate Specifications

Output HP	1 Hp	Output KW	0.75 kW
Frequency	60 Hz	Voltage	208-230 V
Current	5.4 A	Speed	1075 rpm
Service Factor	1	Phase	1
Duty	Air Over	Insulation Class	B
Frame	48Y	Enclosure	Semi Enclosed
Thermal Protection	Automatic	Ambient Temperature	60 °C
UL	Recognized	CSA	Y
CE	N		

Technical Specifications

Electrical Type	Permanent Split Capacitor	Starting Method	Across The Line
Poles	6	Rotation	Reversible
Mounting	Extended Studs	Motor Orientation	Any
Drive End Bearing	Ball	Opp Drive End Bearing	Ball
Frame Material	Rolled Steel	Shaft Type	Double Flat
Overall Length	12.99 in	Frame Length	5.50 in
Shaft Diameter	0.500 in	Shaft Extension	6.4 in
Outline Drawing	F1106-S01	Connection Drawing	614131-115

This is an uncontrolled document once printed or downloaded and is subject to change without notice. Date Created:22/09/2020



GENERAL INFORMATION:

SHAFT RUNOUT: .001[.03] T.I.R. PER INCH LENGTH OF EXTENSION.

BEARINGS: BALL

MOUNTING POSITION: HORIZONTAL OR VERTICAL SHAFT UP

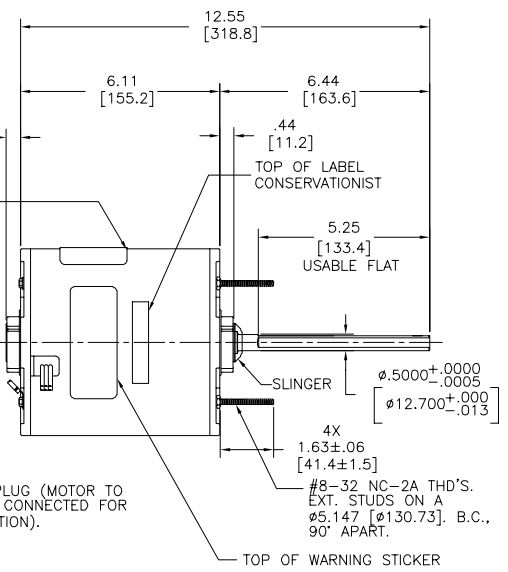
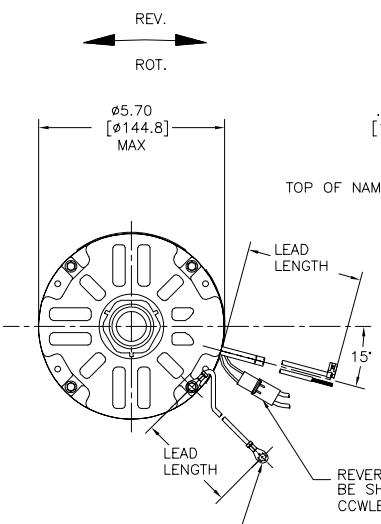
ELECTRICAL DATA:

OVERLOAD PROTECTOR: AUTOMATIC RESET (T.I. 7AM 036)

LEADS: NO. 18 GA, .06[1.5] THK., PVC 105 °C INSUL.

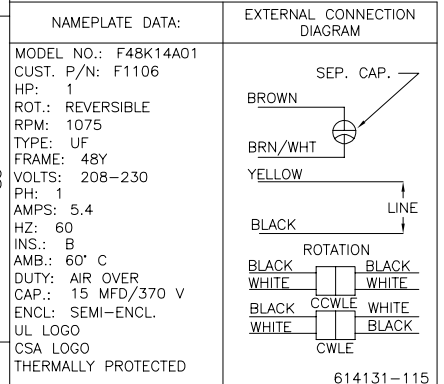
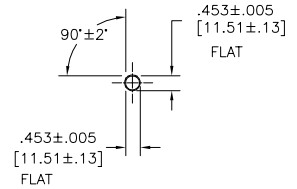
REVERSING LIADS: NO. 18 GA, .03[.8] THK., 125 °C INSUL.

GROUND LEAD: NO. 18 GA, .03[.8] THK., GREEN INSUL.



GROUND LEAD (TERMINAL AT MOTOR MUST NOT PROTRUDE BEYOND MOTOR O.D.).

LEAD DATA		
COLOR	LENGTH	TERMINAL OR STRIP LENGTH
BLACK	28.0/26.0 [711/660]	.50[12.7] SKIN
YELLOW	28.0/26.0 [711/660]	.50[12.7] SKIN
BROWN	28.0/26.0 [711/660]	.25[6.4] FLAG
BROWN/WHITE	28.0/26.0 [711/660]	.25[6.4] FLAG
BLACK/WHITE	6.0/4.0 [152/101]	REVERSING PLUG
GREEN(GRD)	13.0/12.0 [330/305]	#10 EYELET



PERFORMANCE CURVE NO.	TORQUE @ 1075 RPM (25°C)	APPROVED SAMPLE	UL COMPONENT		CSA	
			FILE #	CCN #	FILE #	CLASS #
C31540	90.0 OZ. FT.	97AC384A	E46412	PRGY2	LR43341	4211-01

ENCLOSURE	
END FRAME - LE	OPEN
MAIN FRAME - LE	ENCLOSED
END FRAME - OLE	ENCLOSED
MAIN FRAME - OLE	ENCLOSED

CUSTOMER	DISTRIBUTION SERVICE
----------	----------------------

REGAL-BELOIT CORPORATION (RBC) PROVIDES TECHNICAL ASSISTANCE TO OUR CUSTOMERS IN SEVERAL AREAS. SINCE RBC DOES NOT RECEIVE ALL DATA CONCERNING THE USE AND APPLICATION OF THE MOTOR, THE SUITABILITY OF THE MOTOR FOR THE APPLICATION MUST BE DETERMINED BY THE CUSTOMER.

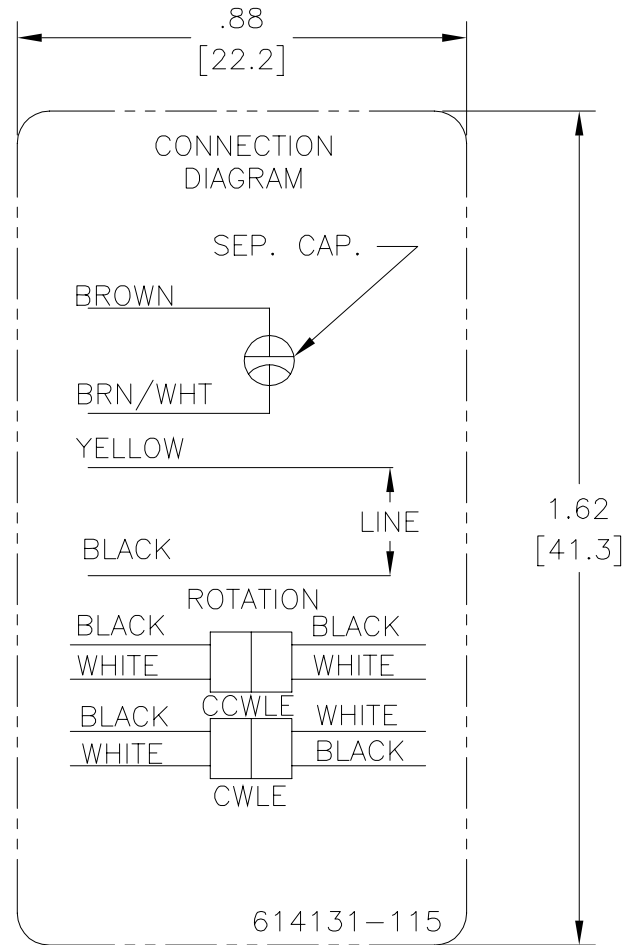
DRAWING REVISION	REVISION BY	DATE
C	J. COX	11-20-2013
ECC	APPROVED BY	DATE
ECC-0041020	C. McREYNOLDS	11-20-2013
ECC DESCRIPTION		
CHANGE AMPS		

COPYRIGHT REGAL-BELOIT AMERICA, INC. ALL RIGHTS RESERVED. PROPRIETARY AND CONFIDENTIAL INFORMATION - THIS DOCUMENT IS THE PROPERTY OF REGAL-BELOIT AMERICA, INC. AND IS NOT TO BE REPRODUCED OR TRANSMITTED IN ANY FORM OR BY ANY MEANS, ELECTRONIC OR MECHANICAL, INCLUDING PHOTOCOPYING, RECORDING, OR BY ANY INFORMATION STORAGE AND RETRIEVAL SYSTEM, WITHOUT THE WRITTEN PERMISSION OF REGAL-BELOIT AMERICA, INC. ANY UNAUTHORIZED REPRODUCTION OR USE OF THIS DOCUMENT IS STRICTLY PROHIBITED. REGAL-BELOIT AMERICA, INC. SHALL NOT BE LIABLE FOR ANY DAMAGES, INCLUDING CONSEQUENTIAL DAMAGES, ARISING FROM THE USE OF THIS DOCUMENT. REGAL-BELOIT AMERICA, INC. SHALL NOT BE LIABLE FOR ANY DAMAGES, INCLUDING CONSEQUENTIAL DAMAGES, ARISING FROM THE USE OF THIS DOCUMENT.

DRAWN BY:	B. ZHANG
DATE:	05-26-2011
APPROVED BY:	T. WANG
DATE:	05-26-2011
PROCESS/FINISH:	
DESCRIPTION:	MODEL-RFHP-48FR OUTLINE
MATERIAL:	
SIZE (DWG NO):	F1106
THIRD ANGLE PROJECTION:	
SHEET:	1

Uncontrolled Copy

REV	ECO	REV BY	DATE	APPD	DATE
C	0027023	N.HONG	06-25-2012	B.SHEN	06-25-2012



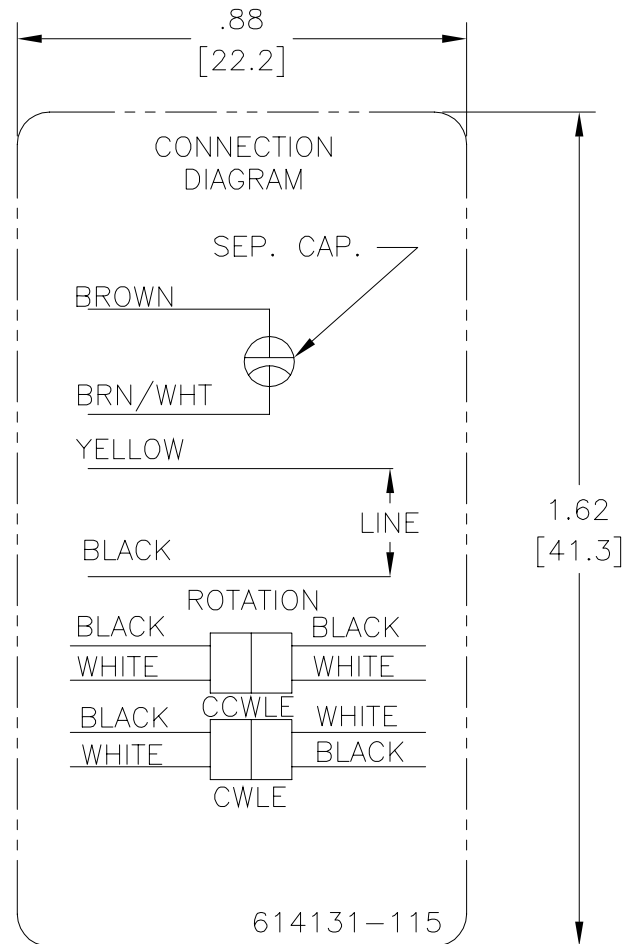
NOTES:

1. FOR USE WITH 614129 NAMEPLATE BLANK
2. — — — — — INDICATES DIMENSION LIMITS
3. DIE TO BE MADE FROM MASTER SUPPLIED BY A. O. SMITH CORPORATION
4. DIE MUST PRODUCE A LEGIBLE IMPRESSION.

GEOMETRIC CHARACTERISTICS & SYMBOLS ▽ FLATNESS — STRAIGHTNESS ∟ ANGULARITY ⊥ PERPENDICULARITY (SQUARENESS) // PARALLELISM ○ ROUNDNESS (CIRCULARITY) ∅ CYLINDRICITY △ PROFILE OF ANY SURFACE ▽ PROFILE OF ANY LINE ↗ RUNOUT ⊕ TRUE POSITION ⊙ CONCENTRICITY = SYMMETRY	UNLESS OTHERWISE SPECIFIED DIM. TOLERANCES ARE AS FOLLOWS: INCH X XX XXX XXXX ±.1 ±.02 ±.005 ±.0005 mm ±0.5 ±0.13 ±0.013 ANG. ±.50 DEG REMOVE BURRS & BREAK SHARP EDGES: INCH .003-.015 mm 0.1-0.4 CORNER FILLETS TO: INCH .020 mm 0.5 MACHINE SURFACES: INCH 125 mm 3.2 METRIC DIMS. SHOWN IN [BRACKETS]	DR BY: jrupert	06-24-2010	REGAL-BELOIT CORPORATION	
		APPD: triley	06-24-2010		DESCRIPTION CONN DIAGRAM EXTERNAL
		THIRD ANGLE PROJECTION	EDS DATE 11-11-2011 FORMAT REV H	SIZE A	
		CONFIDENTIAL: THIS DRAWING AND ITS INFORMATION ARE THE EXCLUSIVE AND CONFIDENTIAL PROPERTY OF REGAL-BELOIT CORPORATION AND ARE NOT TO BE DISCLOSED, DUPLICATED, DISTRIBUTED OR OTHERWISE USED WITHOUT THE WRITTEN CONSENT OF REGAL-BELOIT CORPORATION. -ALL RIGHTS RESERVED.			

Uncontrolled Copy

REVISION:	ECO	REVISADO POR:	N.HONG	FECHA:	06-25-2012	APROBADO POR:	B.SHEN	FECHA:	06-25-2012
C	0027023								



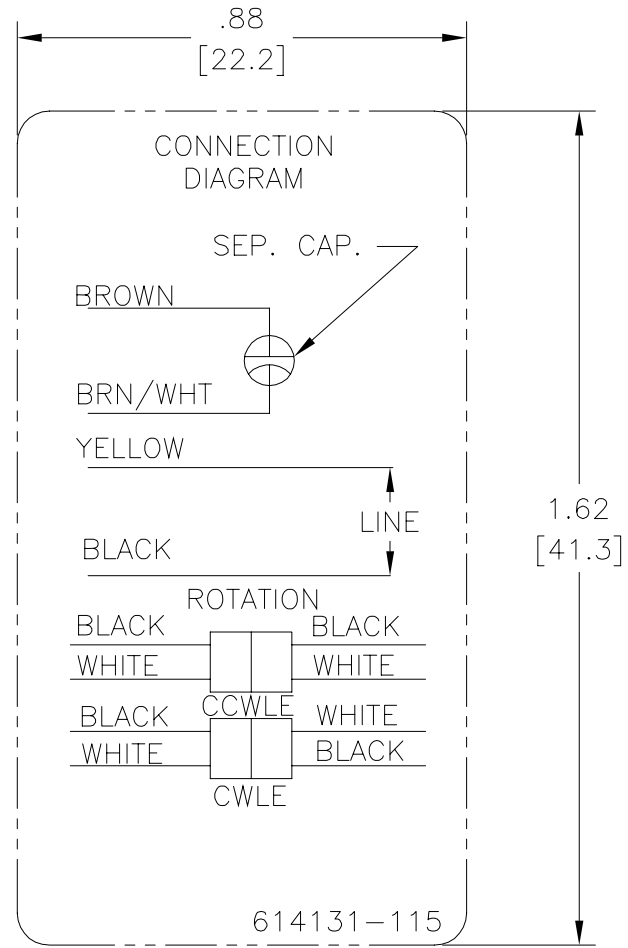
NOTES:

1. FOR USE WITH 614129 NAMEPLATE BLANK
2. ——— ——— INDICATES DIMENSION LIMITS
3. DIE TO BE MADE FROM MASTER SUPPLIED BY A. O. SMITH CORPORATION
4. DIE MUST PRODUCE A LEGIBLE IMPRESSION.

<p>CARACTERISTICAS DE GEOMETRIA Y SIMBOLOS</p> <p>∇ PLANICIDAD</p> <p>— RECTITUD</p> <p>∠ ANGULARIDAD</p> <p>⊥ PERPENDICULARIDAD (A ESCUADRA)</p> <p>// PARALELISMO</p> <p>○ REDONDEZ (CIRCULARIDAD)</p> <p>⊘ CILINDRICIDAD</p> <p>△ PERFIL DE CUALQUIER SUPERFICIE</p> <p>∩ PERFIL DE CUALQUIER LINEA</p> <p>∧ VARIACION</p> <p>⊕ POSICION REAL</p> <p>◎ CONCENTRICIDAD</p> <p>⊖ SIMETRIA</p> <p style="text-align: right;">ASME Y14.5M 1994</p>	<p>A MENOS QUE SE ESPECIFIQUE DE OTRA MANERA, LAS TOLERANCIAS DE LAS DIMS. SON LAS SIGUIENTES:</p> <p style="text-align: center;">x xx xxx xxxx</p> <p>PULG ±.1 ±.02 ±.005 ±.0005</p> <p>mm ±0.5 ±0.13 ±0.013</p> <p>ANG. ±.50 GRADOS</p> <p>ELIMINAR REBABAS Y ORILLAS FILOSAS DEL BORDE.</p> <p>PULG .003-.015 mm 0.1-0.4</p> <p>FILETEAR ESQUINA: PULG .020 mm 0.5</p> <p>MAQUINAR SUPERFICIES</p> <p>PULG 125 mm 3.2</p> <p>DIMS METRICAS MOSTRADAS [PARENTESIS]</p>	<p>DIBUJADO POR: jrupert</p> <p>06-24-2010</p> <p>APROBADO POR: triley</p> <p>06-24-2010</p> <p>TERCER ANGULO DE PROYECCION FECHA EDS: 11-11-2011</p> <p>REV. FORMATO: H</p> <p>CONFIDENCIAL: ESTE DIBUJO Y SU INFORMACION SON PROPIEDAD DE USO EXCLUSIVO Y CONFIDENCIAL DE REGAL-BELOIT CORPORATION Y NO DEBERAN SER REVELADOS, DUPLICADOS, DISTRIBUIDOS O USARSE DE OTRA MANERA SIN EL CONSENTIMIENTO ESCRITO DE REGAL-BELOIT CORPORATION.-TODOS LOS DERECHOS RESERVADOS.</p>	<p style="text-align: center;"> REGAL-BELOIT CORPORATION</p> <p>DESCRIPCION: CONN DIAGRAM EXTERNAL</p> <p>TAMAÑO: A NUMERO DE DIBUJO: 614131-115</p> <p>ESCALA: NONE HOJA: 1</p>
--	--	--	--

Uncontrolled Copy

版本	ECO	编制	日期	批准	日期
C	0027023	N.HONG	06-25-2012	B.SHEN	06-25-2012



- NOTES:
1. FOR USE WITH 614129 NAMEPLATE BLANK
 2. — — — — — INDICATES DIMENSION LIMITS
 3. DIE TO BE MADE FROM MASTER SUPPLIED BY A. O. SMITH CORPORATION
 4. DIE MUST PRODUCE A LEGIBLE IMPRESSION.

形位公差 □ 平面度 — 直线度 ∠ 倾斜度 ⊥ 垂直度 ∥ 平行度 ○ 圆度 ⊙ 圆柱度 面轮廓度 线轮廓度 圆跳动 位置度 同轴度 ⊕ 对称度	除另有注明 尺寸公差如下: 英寸 X XX XXX XXXX 毫米 ±.1 ±.02 ±.005 ±.0005 毫米 ±0.5 ±0.13 ±0.013 角度 ±.50 度 清理毛刺和尖棱 英寸 .003-.015 毫米 0.1-0.4 内圆角 英寸 .020 毫米 0.5 表面粗糙度 英制 125 米制 3.2 米制尺寸显示在 []
--	---

绘图: jrupert 批准: triley 第三角投影	06-24-2010 06-24-2010 11-11-2011 H
------------------------------------	---

机密: 本图纸及相关信息所有权归REGAL-BELOIT CORPORATION。未经REGAL-BELOIT CORPORATION书面授权, 不得泄露、复制、传播或作其他用途。--版权所有

REGAL-BELOIT CORPORATION	
名称 CONN DIAGRAM EXTERNAL	
图幅 A	图号 614131-115
比例 NONE	页号 1

ASME Y14.5M 1994