

PRODUCT INFORMATION PACKET



Model No: EM3728
Catalog No: EM3728
1/4 HP Condenser Fan Motor, 1075 RPM, 208-230 Volts, 48 Frame, TEAO
Condenser Fans Motors



Regal and Century are trademarks of Regal Beloit Corporation or one of its affiliated companies.
©2020 Regal Beloit Corporation, All Rights Reserved. MC017097E





Nameplate Specifications

Output HP	1/4 Hp	Output KW	0.19 kW
Frequency	60 Hz	Voltage	208-230 V
Current	1.8-2.0 A	Speed	1075 rpm
Service Factor	1	Phase	1
Duty	Air Over	Insulation Class	B
Frame	48Y	Enclosure	Totally Enclosed
Thermal Protection	Automatic	Ambient Temperature	60 °C
UL	Recognized	CSA	Y
CE	N		

Technical Specifications

Electrical Type	Permanent Split Capacitor	Starting Method	Across The Line
Poles	6	Rotation	Reversible
Mounting	Extended Studs	Motor Orientation	Any
Drive End Bearing	Ball	Opp Drive End Bearing	Ball
Frame Material	Steel	Shaft Type	Flat
Overall Length	10.67 in	Frame Length	3.50 in
Shaft Diameter	0.500 in	Shaft Extension	6.0 in
Outline Drawing	EM3728-S01	Connection Drawing	614131-292

This is an uncontrolled document once printed or downloaded and is subject to change without notice. Date Created:22/09/2020

GENERAL INFORMATION:

SHAFT RUNOUT: .001 [.03] T.I.R. PER INCH LENGTH OF EXTENSION

BEARINGS: BALL

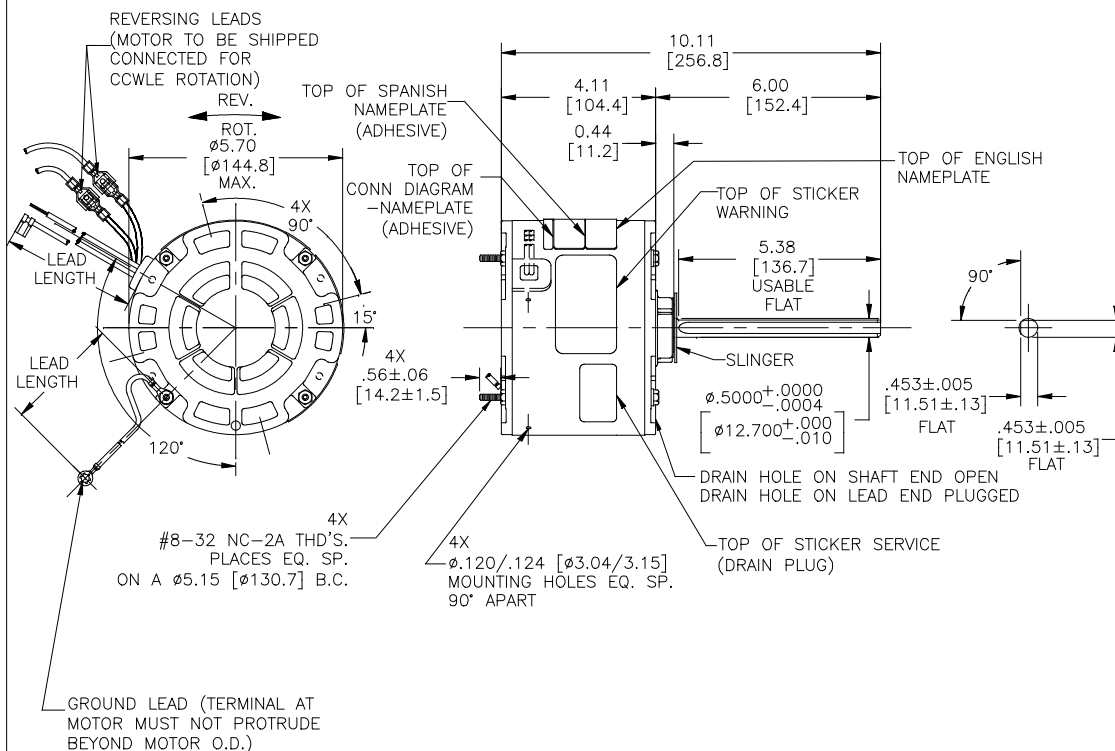
MOUNTING POSITION: ALL ANGLE

ELECTRICAL DATA:

OVERLOAD PROTECTOR: AUTOMATIC RESET (T.I. 7AM 036)

LEADS: NO. 18 GA., .03 [.8] THK., XLP 125°C INSUL.

GROUND LEAD: NO. 18 GA., .03 [.8] THK. (GREEN) INSUL.



NOTES:

- 4X SCREWS 615982-001 & 4X HEX NUTS 7555A19H01 TO BE PUT IN A POLYBAG.
- THE SYMBOL OF CTQ: ▲ (NO CTQ ON THIS DRAWING).
- MEET THE REQUIREMENT OF RoHS & REACH, SEE EP000014_5.1.

REGAL-BELOIT CORPORATION (RBC) PROVIDES TECHNICAL ASSISTANCE TO OUR CUSTOMERS IN SEVERAL AREAS. SINCE RBC DOES NOT RECEIVE ALL DATA CONCERNING THE USE AND APPLICATION OF THE MOTOR, THE SUITABILITY OF THE MOTOR FOR THE APPLICATION MUST BE DETERMINED BY THE CUSTOMER.

DIMENSIONS WITHOUT TOLERANCES ARE FOR REFERENCE ONLY.

MAIN FRAME - OLE	ENCLOSED
END FRAME - OLE	ENCLOSED
MAIN FRAME - LE	ENCLOSED
END FRAME - LE	ENCLOSED

CUSTOMER EconoMaster

NAMEPLATE DATA:	EXTERNAL CONNECTION DIAGRAM
MODEL NO.: F48AH28A01 CUST. P/N: EM3728 HP: 1/4 ROT.: REVERSIBLE RPM: 1075 TYPE: UF FRAME: 48Y VOLTS: 208-230 PH: 1 AMPS: 1.8-2.0 HZ: 60 INS.: B AMB.: 60°C DUTY: AIR OVER CAP.: 5MFD/370V ENCL: ENCLOSED UL LOGO & FILE NO. CSA LOGO & FILE NO. THERMALLY PROTECTED TYPE T	<p>614131-292</p>

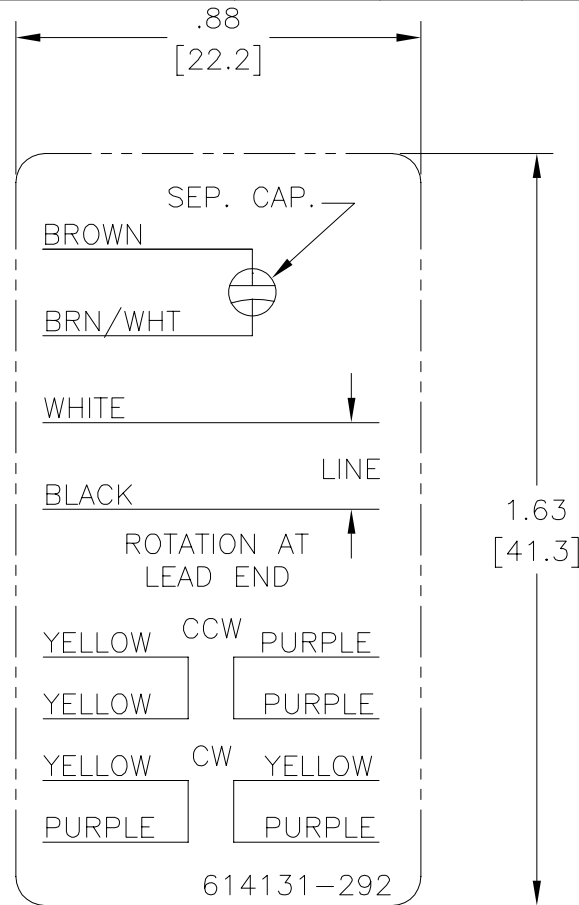
GREEN (GROUND)	12.0/13.0 [305/330]	#10 EYELET
PURPLE (REV)	4.0/6.0 [102/152]	.25[6.4] PER-INSUL. MALE TAB
PURPLE (REV)	4.0/6.0 [102/152]	.25[6.4] PER-INSUL. FEMALE SPADE
YELLOW (REV)	4.0/6.0 [102/152]	.25[6.4] PER-INSUL. MALE TAB
YELLOW (REV)	4.0/6.0 [102/152]	.25[6.4] PER-INSUL. FEMALE SPADE
BROWN/WHITE	35.0/37.0 [889/940]	.25 [6.4] FLAG
BROWN	35.0/37.0 [889/940]	.25 [6.4] FLAG
WHITE	35.0/37.0 [889/940]	.50 [12.7] SKIN
BLACK	35.0/37.0 [889/940]	.50 [12.7] SKIN
COLOR	LENGTH	TERMINAL OR STRIP LENGTH

PERFORMANCE CURVE NO.	TORQUE @1075 RPM (25°C)	APPROVED SAMPLE	UL COMPONENT FILE #	CCN #	CSA FILE #	CLASS #
C0000984	25.4 OZ. FT.	OER-0009943B	E46412	PRGY2	LR43341	4211-01

DRAWING REVISION/REVISION BY: K NANCY LIU DATE: 06-18-2020 ECO: ECO-0187955 APPROVED BY: KEYUN GONG DATE: 06-18-2020 ECO DESCRIPTION: SEE ECO		DRAWN BY: MH DATE: 06-08-2009 APPROVED BY: DL DATE: 06-08-2009 PROCESS/FINISH: - THIRD ANGLE PROJECTION	
COPYRIGHT REGAL-BELOIT AMERICA, INC. ALL RIGHTS RESERVED. PROPRIETARY AND CONFIDENTIAL INFORMATION - THIS DOCUMENT IS THE PROPERTY OF REGAL-BELOIT AMERICA, INC. ("OWNER") AND CONTAINS OWNER'S PROPRIETARY INFORMATION. ANY REPRODUCTION OR OTHER FIRM RECEIVING IT IS DENIED. BY RECEIVING IT, TO AGREE THAT IT, AND/OR ANY PART OF IT, SHALL NOT BE DISCLOSED TO ANY PERSON, CORPORATION OR OTHER ENTITY, PARTNERED, AND/OR USED EXCEPT AS EXPRESSLY APPROVED IN WRITING BY OWNER. THIS DOCUMENT SHALL BE RETURNED TO OWNER UPON REQUEST. IT MAY BE SUBJECT TO CERTAIN RESTRICTIONS UNDER APPLICABLE EXPORT CONTROL LAWS AND REGULATIONS.		REGAL-BELOIT America, Inc. MODEL-RFHP-48FR OUTLINE SIZE DWG NO: EM3728 SHEET: 1	

Uncontrolled Copy

REV	ECO	REV BY	DATE	APPD	DATE
B	ECO-0022458	jrupert	09-19-2011	jrupert	09-19-2011



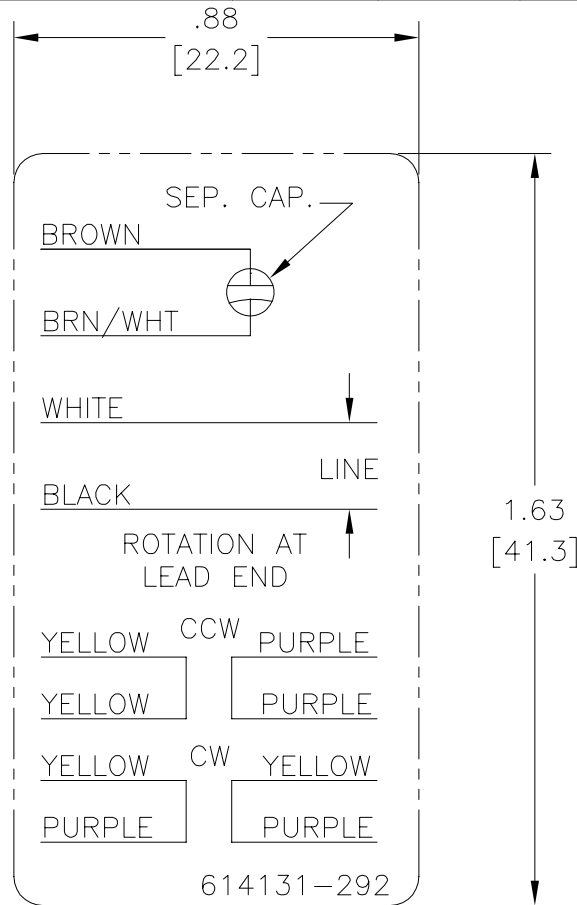
NOTES:

1. FOR USE WITH 614129 NAMEPLATE BLANK
2. — — — — — INDICATES DIMENSION LIMITS
3. DIE TO BE MADE FROM MASTER SUPPLIED BY A. O. SMITH CORPORATION
4. DIE MUST PRODUCE A LEGIBLE IMPRESSION.

GEOMETRIC CHARACTERISTICS & SYMBOLS ▽ FLATNESS — STRAIGHTNESS ∠ ANGULARITY ⊥ PERPENDICULARITY (SQUARENESS) ∥ PARALLELISM ○ ROUNDNESS (CIRCULARITY) ∅ CYLINDRICITY △ PROFILE OF ANY SURFACE ▽ PROFILE OF ANY LINE ↗ RUNOUT ⊕ TRUE POSITION ⊙ CONCENTRICITY = SYMMETRY	UNLESS OTHERWISE SPECIFIED DIM. TOLERANCES ARE AS FOLLOWS: INCH X XX XXX XXXX ±.1 ±.02 ±.005 ±.0005 mm ±0.5 ±0.13 ±0.013 ANG. ±.50 DEG REMOVE BURRS & BREAK SHARP EDGES: INCH .003-.015 mm 0.1-0.4 CORNER FILLETS TO: INCH .020 mm 0.5 MACHINE SURFACES: INCH 125 mm 3.2 METRIC DIMS. SHOWN IN [BRACKETS]	DR BY: jrupert APPD: jrupert DATE: 09-19-2011 EDS DATE 02-22-2008 FORMAT REV F THIRD ANGLE PROJECTION	DR BY: jrupert APPD: jrupert DATE: 09-19-2011 EDS DATE 02-22-2008 FORMAT REV F THIRD ANGLE PROJECTION	ELECTRICAL PRODUCTS COMPANY A DIVISION OF A. O. SMITH CORPORATION	DESCRIPTION CONN DIAGRAM NAMEPLATE SIZE A DWG NO 614131-292 SCALE NONE SHEET 1
CONFIDENTIAL: THIS DRAWING AND ITS INFORMATION ARE THE EXCLUSIVE AND CONFIDENTIAL PROPERTY OF A.O. SMITH CORP. AND ARE NOT TO BE DISCLOSED, DUPLICATED, DISTRIBUTED OR OTHERWISE USED WITHOUT THE WRITTEN CONSENT OF A.O. SMITH CORP. -ALL RIGHTS RESERVED. ASME Y14.5M 1994					

Uncontrolled Copy

REVISION:	ECO	REVISADO POR:	jrupert	FECHA:	09-19-2011	APROBADO POR:	jrupert	FECHA:	09-19-2011
B	ECO-0022458								



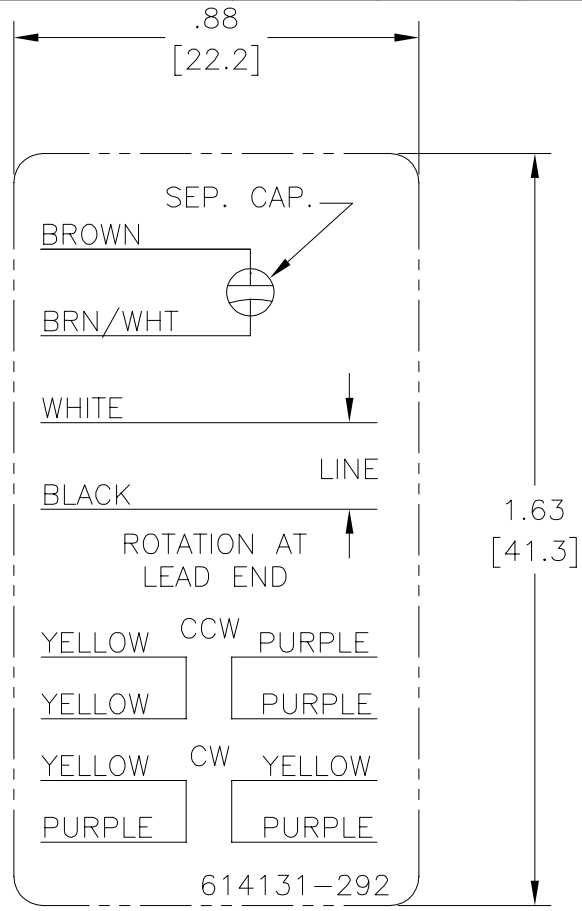
NOTES:

1. FOR USE WITH 614129 NAMEPLATE BLANK
2. — — — — — INDICATES DIMENSION LIMITS
3. DIE TO BE MADE FROM MASTER SUPPLIED BY A. O. SMITH CORPORATION
4. DIE MUST PRODUCE A LEGIBLE IMPRESSION.

CARACTERISTICAS DE GEOMETRIA Y SIMBOLOS Z PLANICIDAD — RECTITUD < ANGULARIDAD ⊥ PERPENDICULARIDAD (A ESCUADRA) // PARALELISMO ○ REDONDEZ (CIRCULARIDAD) ∅ CILINDRICIDAD △ PERFIL DE CUALQUIER SUPERFICIE ▽ PERFIL DE CUALQUIER LINEA ↗ VARIACION ⊕ POSICION REAL ⊙ CONCENTRICIDAD = SIMETRIA	A MENOS QUE SE ESPECIFIQUE DE OTRA MANERA, LAS TOLERANCIAS DE LAS DIMS. SON LAS SIGUIENTES: X XX XXX XXXX PULG ±.1 ±.02 ±.005 ±.0005 mm ±0.5 ±0.13 ±0.013 ANG. ±.50 GRADOS ELIMINAR REBABAS Y ORILLAS FILOSAS DEL BORDE. PULG .003-.015 mm 0.1-0.4 FILETEAR ESQUINA: PULG .020 mm 0.5 MAQUINAR SUPERFICIES PULG 125 mm 3.2 DIMS METRICAS MOSTRADAS [PARENTESIS]	DIBUJADO POR: jrupert 09-19-2011 APROBADO POR: jrupert 09-19-2011 TERCER ANGULO DE PROYECCION (Third angle projection symbol) FECHA EDS: 02-22-2008 REV. FORMATO: F	AC Smith innovation has a name. ELECTRICAL PRODUCTS COMPANY A DIVISION OF A. O. SMITH CORPORATION	DESCRIPCION: CONN DIAGRAM NAMEPLATE	
	CONFIDENCIAL: ESTE DIBUJO Y SU INFORMACION SON PROPIEDAD DE USO EXCLUSIVO Y CONFIDENCIAL DE A.O.SMITH CORP. Y NO DEBERAN SER REVELADOS, DUPLICADOS, DISTRIBUIDOS O USARSE DE OTRA MANERA SIN EL CONSENTIMIENTO ESCRITO DE A.O. SMITH CORP. -TODOS LOS DERECHOS RESERVADOS.ASME Y14.5M 1994			TAMAÑO: A	NUMERO DE DIBUJO: 614131-292
	ESCALA: NONE			HOJA: 1	
	(Empty row for additional notes or specifications)				

Uncontrolled Copy

版本	ECO	编制	日期	批准	日期
B	ECO-0022458	jrupert	09-19-2011	jrupert	09-19-2011



- NOTES:
1. FOR USE WITH 614129 NAMEPLATE BLANK
 2. — — — — — INDICATES DIMENSION LIMITS
 3. DIE TO BE MADE FROM MASTER SUPPLIED BY A. O. SMITH CORPORATION
 4. DIE MUST PRODUCE A LEGIBLE IMPRESSION.

形位公差 □ 平面度 — 直线度 / 倾斜度 ⊥ 垂直度 // 平行度 ○ 圆度 ⊙ 圆柱度 面轮廓度 线轮廓度 圆跳动 位置度 同轴度 ≡ 对称度	除另有注明 尺寸公差如下: 英寸 X XX XXX XXXX 毫米 ±.1 ±.02 ±.005 ±.0005 毫米 ±0.5 ±0.13 ±0.013 角度 ±.50 度 清理毛刺和尖棱 英寸 .003-.015 毫米 0.1-0.4 内圆角 英寸 .020 毫米 0.5 表面粗糙度 英制 125 米制 3.2 米制尺寸显示在 []	绘图: jrupert 批准: jrupert 第三角投影	09-19-2011 09-19-2011 图纸格式发布日期 02-22-2008 图纸格式版本 F	ELECTRICAL PRODUCTS COMPANY A DIVISION OF A. O. SMITH CORPORATION
	名称 CONN DIAGRAM NAMEPLATE			
	机密: 本图纸及相关信息所有权归A. O. SMITH公司所有。 未经A. O. SMITH公司书面授权, 不得泄露、复制、传播或作 其他用途。--版权所有		图幅 A 图号 614131-292	
	比例 NONE		页号 1	

ASME Y14.5M 1994