

# PRODUCT INFORMATION PACKET



Model No: EM3587  
Catalog No: EM3587  
1/2 HP Fan & Blower Motor, 1075 RPM, 3 Speed, 115 Volts, 48 Frame, OAO  
Direct Drive Motors



Regal and Century are trademarks of Regal Beloit Corporation or one of its affiliated companies.  
©2020 Regal Beloit Corporation, All Rights Reserved. MC017097E





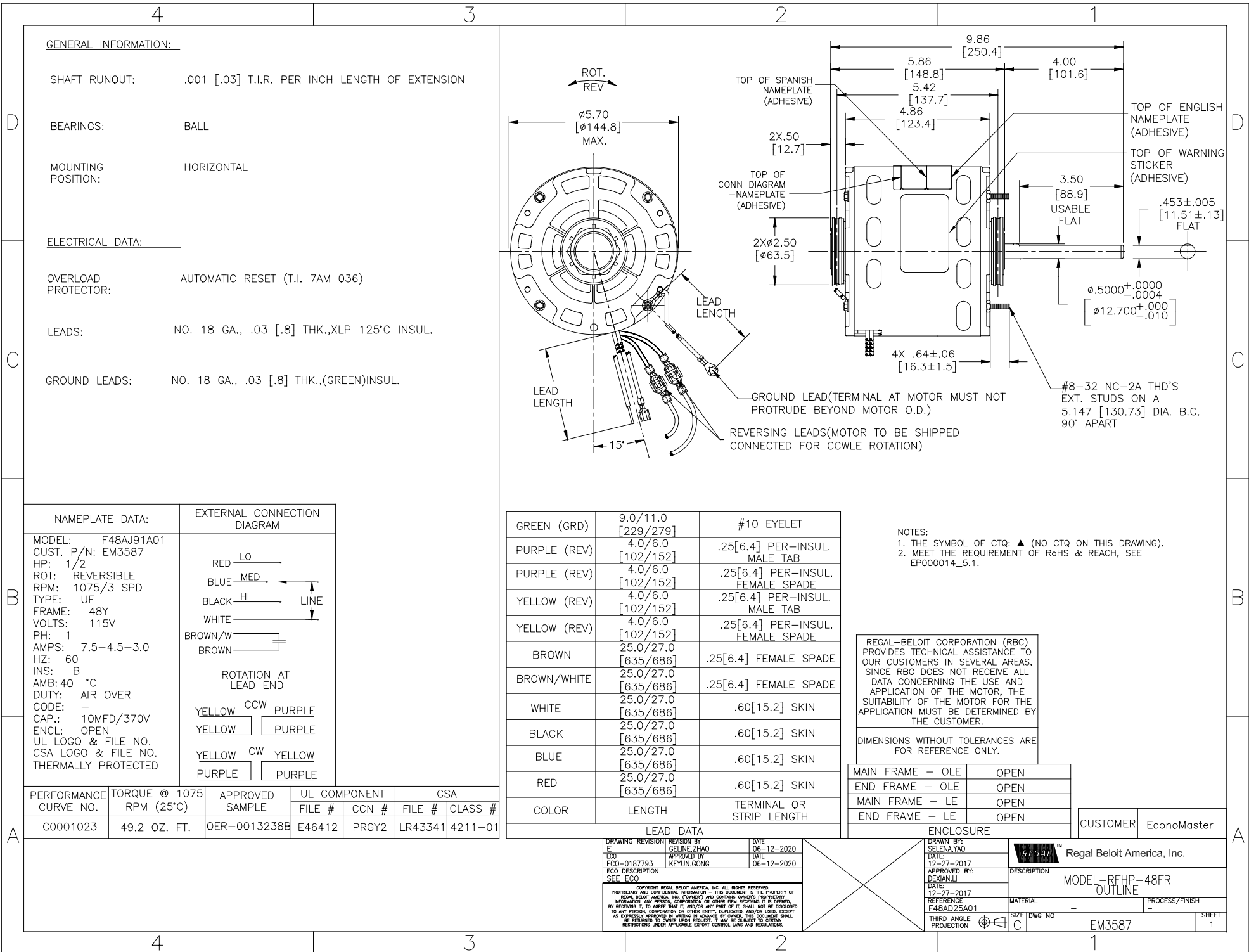
**Nameplate Specifications**

Output HP	1/2 Hp	Output KW	0.37 kW
Frequency	60 Hz	Voltage	115 V
Current	7.5-4.5-3.0 A	Speed	1075 rpm
Service Factor	1	Phase	1
Duty	Air Over	Insulation Class	B
Frame	48Y	Enclosure	Open Enclosed
Thermal Protection	Automatic	Ambient Temperature	40 °C
UL	Recognized	CSA	Y
CE	N		

**Technical Specifications**

Electrical Type	Permanent Split Capacitor	Starting Method	Across The Line
Poles	6	Rotation	Reversible
Mounting	Extended Studs	Motor Orientation	Horizontal
Drive End Bearing	Ball	Opp Drive End Bearing	Ball
Frame Material	Rolled Steel	Shaft Type	Flat
Overall Length	9.86 in	Frame Length	4.25 in
Shaft Diameter	0.500 in	Shaft Extension	4.0 in
Outline Drawing	EM3587-S01		

This is an uncontrolled document once printed or downloaded and is subject to change without notice. Date Created:06/11/2020



**GENERAL INFORMATION:**

SHAFT RUNOUT: .001 [.03] T.I.R. PER INCH LENGTH OF EXTENSION

BEARINGS: BALL

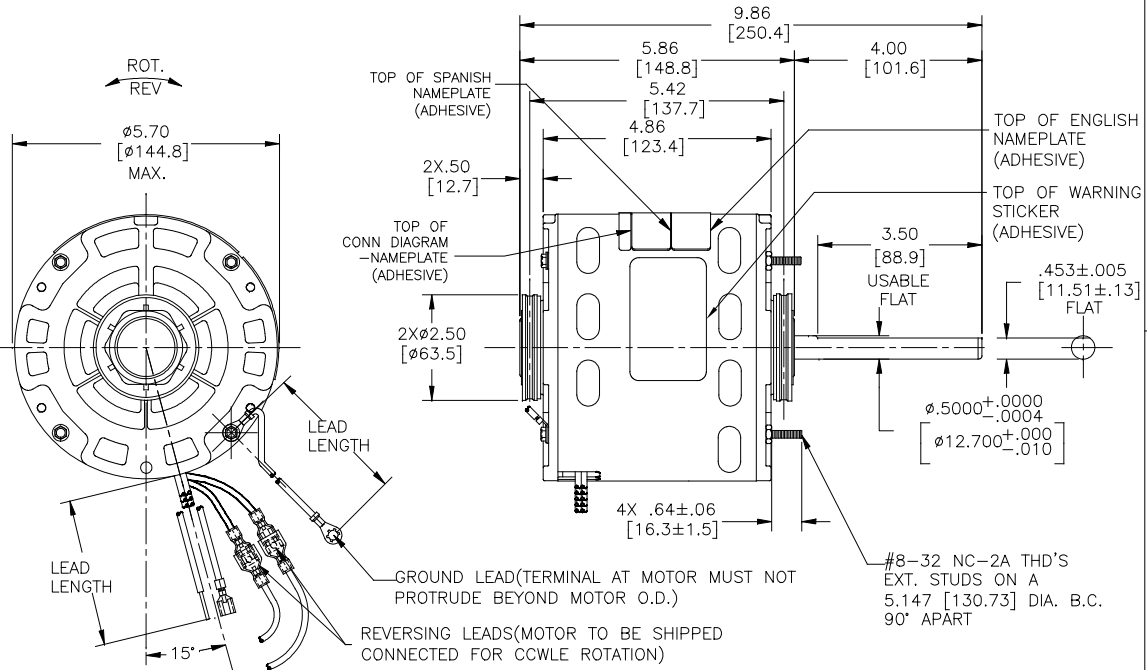
MOUNTING POSITION: HORIZONTAL

**ELECTRICAL DATA:**

OVERLOAD PROTECTOR: AUTOMATIC RESET (T.I. 7AM 036)

LEADS: NO. 18 GA., .03 [.8] THK.,XLP 125°C INSUL.

GROUND LEADS: NO. 18 GA., .03 [.8] THK.,(GREEN)INSUL.



- NOTES:**
1. THE SYMBOL OF CTQ: ▲ (NO CTQ ON THIS DRAWING).
  2. MEET THE REQUIREMENT OF RoHS & REACH, SEE EP000014\_5.1.

NAMEPLATE DATA:	EXTERNAL CONNECTION DIAGRAM
MODEL: F48AJ91A01 CUST. P/N: EM3587 HP: 1/2 ROT: REVERSIBLE RPM: 1075/3 SPD TYPE: UF FRAME: 48Y VOLTS: 115V PH: 1 AMPS: 7.5-4.5-3.0 HZ: 60 INS: B AMB: 40 °C DUTY: AIR OVER CODE: - CAP.: 10MFD/370V ENCL: OPEN UL LOGO & FILE NO. CSA LOGO & FILE NO. THERMALLY PROTECTED	<p>ROTATION AT LEAD END</p>

GREEN (GRD)	9.0/11.0 [229/279]	#10 EYELET
PURPLE (REV)	4.0/6.0 [102/152]	.25[6.4] PER-INSUL. MALE TAB
PURPLE (REV)	4.0/6.0 [102/152]	.25[6.4] PER-INSUL. FEMALE SPADE
YELLOW (REV)	4.0/6.0 [102/152]	.25[6.4] PER-INSUL. MALE TAB
YELLOW (REV)	4.0/6.0 [102/152]	.25[6.4] PER-INSUL. FEMALE SPADE
BROWN	25.0/27.0 [635/686]	.25[6.4] FEMALE SPADE
BROWN/WHITE	25.0/27.0 [635/686]	.25[6.4] FEMALE SPADE
WHITE	25.0/27.0 [635/686]	.60[15.2] SKIN
BLACK	25.0/27.0 [635/686]	.60[15.2] SKIN
BLUE	25.0/27.0 [635/686]	.60[15.2] SKIN
RED	25.0/27.0 [635/686]	.60[15.2] SKIN
COLOR	LENGTH	TERMINAL OR STRIP LENGTH

REGAL-BELOIT CORPORATION (RBC) PROVIDES TECHNICAL ASSISTANCE TO OUR CUSTOMERS IN SEVERAL AREAS. SINCE RBC DOES NOT RECEIVE ALL DATA CONCERNING THE USE AND APPLICATION OF THE MOTOR, THE SUITABILITY OF THE MOTOR FOR THE APPLICATION MUST BE DETERMINED BY THE CUSTOMER.

DIMENSIONS WITHOUT TOLERANCES ARE FOR REFERENCE ONLY.

MAIN FRAME - OLE	OPEN
END FRAME - OLE	OPEN
MAIN FRAME - LE	OPEN
END FRAME - LE	OPEN

CUSTOMER EconoMaster

PERFORMANCE CURVE NO.	TORQUE @ 1075 RPM (25°C)	APPROVED SAMPLE	UL COMPONENT	CSA
C0001023	49.2 OZ. FT.	OER-0013238B	E46412	PRGY2 LR43341 4211-01

LEAD DATA		ENCLOSURE	
DRAWING REVISION/REVISION BY	DATE	DRAWN BY:	SELENA.YAO
E	06-12-2020	DATE:	12-27-2017
ECO-0187793	APPROVED BY: GELINE.ZHAO	APPROVED BY:	DEXIAN.LI
ECO DESCRIPTION	KEYUN.GONG	DATE:	12-27-2017
SEE ECO		REFERENCE:	F48AD25A01
<small>COPYRIGHT REGAL-BELOIT AMERICA, INC. ALL RIGHTS RESERVED. PROPRIETARY AND CONFIDENTIAL INFORMATION - THIS DOCUMENT IS THE PROPERTY OF REGAL-BELOIT AMERICA, INC. ("OWNER") AND CONTAINS OWNER'S PROPRIETARY INFORMATION. ANY PERSON, CORPORATION OR OTHER FIRM RECEIVING IT IS DEMAND, BY RECEIVING IT, TO AGREE THAT IT, AND/OR ANY PART OF IT, SHALL NOT BE DISCLOSED TO ANY PERSON, CORPORATION OR OTHER ENTITY, SUPPLIER, AND/OR USER, EXCEPT AS EXPRESSLY APPROVED IN WRITING BY OWNER. THIS DOCUMENT SHALL BE RETURNED TO OWNER UPON REQUEST. IT MAY BE SUBJECT TO CERTAIN RESTRICTIONS UNDER APPLICABLE EXPORT CONTROL LAWS AND REGULATIONS.</small>		MATERIAL:	
		THIRD ANGLE PROJECTION	SIZE DWG NO
			C
		DESCRIPTION:	MODEL-RFHP-48FR OUTLINE
		PROCESS/FINISH	
			EM3587
		SHEET	1