

PRODUCT INFORMATION PACKET



Model No: EM3586
Catalog No: EM3586
1/3 HP Fan & Blower Motor, 1075 RPM, 3 Speed, 208-230 Volts, 48 Frame, OAO
Direct Drive Motors



Regal and Century are trademarks of Regal Beloit Corporation or one of its affiliated companies.
©2020 Regal Beloit Corporation, All Rights Reserved. MC017097E





Nameplate Specifications

Output HP	1/3 Hp	Output KW	0.25 kW
Frequency	60 Hz	Voltage	208-230 V
Current	2.5-1.6-1.2 A	Speed	1075 rpm
Service Factor	1	Phase	1
Duty	Air Over	Insulation Class	B
Frame	48Y	Enclosure	Open Enclosed
Thermal Protection	Automatic	Ambient Temperature	40 °C
UL	Recognized	CSA	Y
CE	N		

Technical Specifications

Electrical Type	Permanent Split Capacitor	Starting Method	Across The Line
Poles	6	Rotation	Reversible
Mounting	Extended Studs	Motor Orientation	Horizontal
Drive End Bearing	Ball	Opp Drive End Bearing	Ball
Frame Material	Rolled Steel	Shaft Type	Flat
Overall Length	9.36 in	Frame Length	3.75 in
Shaft Diameter	0.500 in	Shaft Extension	4.0 in
Outline Drawing	EM3586-S01		

This is an uncontrolled document once printed or downloaded and is subject to change without notice. Date Created:22/09/2020

GENERAL INFORMATION:

SHAFT RUNOUT: .001 [.025] T.I.R. PER INCH LENGTH OF EXTENSION

BEARINGS: BALL

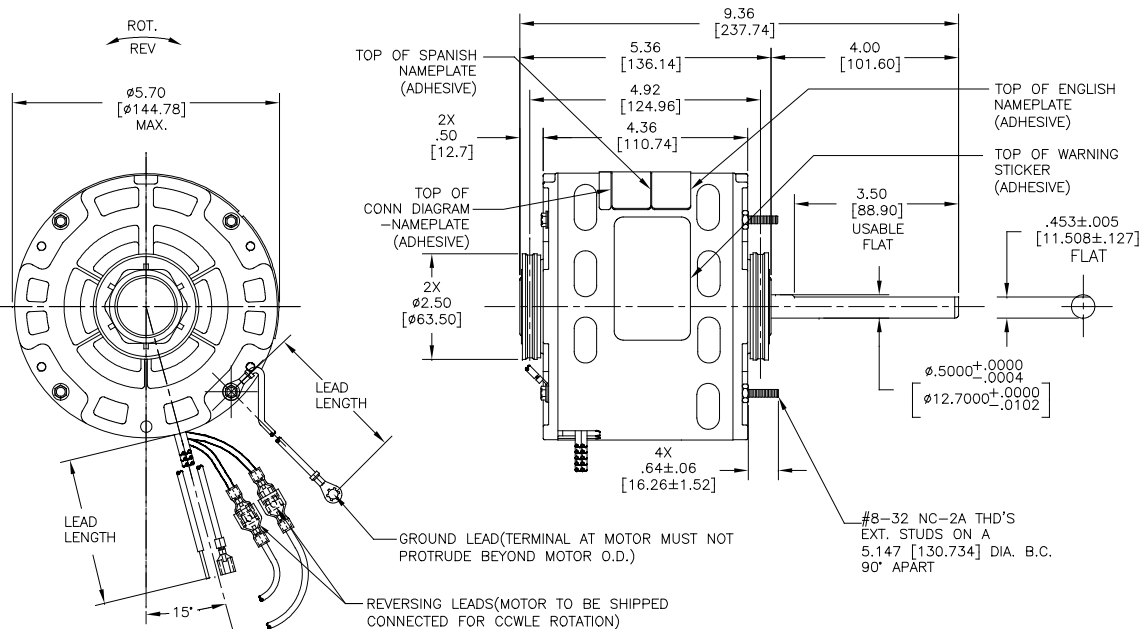
MOUNTING POSITION: HORIZONTAL

ELECTRICAL DATA:

OVERLOAD PROTECTOR: AUTOMATIC RESET (T.I. 7AM 036)

LEADS: NO. 18 GA., .03 [.76] THK.,XLP 125°C INSUL.

GROUND LEADS: NO. 18 GA., .03 [.76] THK.,(GREEN)INSUL.



- NOTES:
 1. THE SYMBOL OF CTQ: ▲ (NO CTQ ON THIS DRAWING).
 2. MEET THE REQUIREMENT OF RoHS & REACH, SEE EP000014_5.1.

REGAL-BELOIT CORPORATION (RBC) PROVIDES TECHNICAL ASSISTANCE TO OUR CUSTOMERS IN SEVERAL AREAS. SINCE RBC DOES NOT RECEIVE ALL DATA CONCERNING THE USE AND APPLICATION OF THE MOTOR, THE SUITABILITY OF THE MOTOR FOR THE APPLICATION MUST BE DETERMINED BY THE CUSTOMER.

DIMENSIONS WITHOUT TOLERANCES ARE FOR REFERENCE ONLY.

MAIN FRAME - OLE	OPEN
END FRAME - OLE	OPEN
MAIN FRAME - LE	OPEN
END FRAME - LE	OPEN

CUSTOMER: EconoMaster

GREEN (GRD)	9/11 [229/279]	#10 EYELET
PURPLE (REV)	4/6 [102/152]	.25[6.35] PER-INSUL. MALE TAB
PURPLE (REV)	4/6 [102/152]	.25[6.35] PER-INSUL. FEMALE SPADE
YELLOW (REV)	4/6 [102/152]	.25[6.35] PER-INSUL. MALE TAB
YELLOW (REV)	4/6 [102/152]	.25[6.35] PER-INSUL. FEMALE SPADE
BROWN	25/27 [635/686]	.25[6.35] FEMALE SPADE
BROWN/WHITE	25/27 [635/686]	.25[6.35] FEMALE SPADE
WHITE	25/27 [635/686]	.60[15.24] SKIN
BLACK	25/27 [635/686]	.60[15.24] SKIN
BLUE	25/27 [635/686]	.60[15.24] SKIN
RED	25/27 [635/686]	.60[15.24] SKIN
COLOR	LENGTH	TERMINAL OR STRIP LENGTH

NAMEPLATE DATA:	EXTERNAL CONNECTION DIAGRAM
MODEL: F48AJ93A01 CUST. P/N: EM3586 HP: 1/3 ROT: REVERSIBLE RPM: 1075/3 SPD TYPE: UF FRAME: 48Y VOLTS: 208-230V PH: 1 AMPS: 2.5-1.6-1.2 HZ: 60 INS: B AMB: 40 °C DUTY: AIR OVER CODE: - CAP.: 5MFD/370V ENCL: OPEN UL LOGO & FILE NO. CSA LOGO & FILE NO. THERMALLY PROTECTED	

PERFORMANCE CURVE NO.	TORQUE @ 1075 RPM (25°C)	APPROVED SAMPLE	UL COMPONENT		CSA	
FILE #	CCN #	FILE #	CLASS #	FILE #	CLASS #	
C0001007	33.2 OZ. FT.	0603306A	E46412	PRGY2	LR43341	4211-01

DRAWING REVISION		
E	REVISION BY: GELINE.ZHAO	DATE: 06-12-2020
ECO	APPROVED BY: KEYUN.GONG	DATE: 06-12-2020
ECO-0187793	ECO DESCRIPTION: SEE ECO	

DRAWN BY:		DESCRIPTION	
GELINE.ZHAO	DATE: 01-17-2018	Regal	MODEL-RFHP-48FR OUTLINE
CADDIE.ZHOU	DATE: 01-17-2018	MATERIAL: -	PROCESS/FINISH: -
THIRD ANGLE PROJECTION	SIZE: C	DWG NO: EM3586	SHEET: 1