

PRODUCT INFORMATION PACKET



Model No: EM3583
Catalog No: EM3583
1/4 HP Fan & Blower Motor, 1075 RPM, 3 Speed, 115 Volts, 48 Frame, OAO
Direct Drive Motors



Regal and Century are trademarks of Regal Beloit Corporation or one of its affiliated companies.
©2020 Regal Beloit Corporation, All Rights Reserved. MC017097E





Nameplate Specifications

Output HP	1/4 Hp	Output KW	0.19 kW
Frequency	60 Hz	Voltage	115 V
Current	4.2-2.4-2.0 A	Speed	1075 rpm
Service Factor	1	Phase	1
Duty	Air Over	Insulation Class	B
Frame	48Y	Enclosure	Open Enclosed
Thermal Protection	Automatic	Ambient Temperature	40 °C
UL	Recognized	CSA	Y
CE	N		

Technical Specifications

Electrical Type	Permanent Split Capacitor	Starting Method	Across The Line
Poles	6	Rotation	Reversible
Mounting	Extended Studs	Motor Orientation	Horizontal
Drive End Bearing	Ball	Opp Drive End Bearing	Ball
Frame Material	Rolled Steel	Shaft Type	Flat
Overall Length	8.99 in	Frame Length	3.38 in
Shaft Diameter	0.500 in	Shaft Extension	4.0 in
Outline Drawing	EM3583-S01		

This is an uncontrolled document once printed or downloaded and is subject to change without notice. Date Created:09/10/2020

GENERAL INFORMATION:

SHAFT RUNOUT: .001 [.025] T.I.R. PER INCH LENGTH OF EXTENSION

BEARINGS: BALL

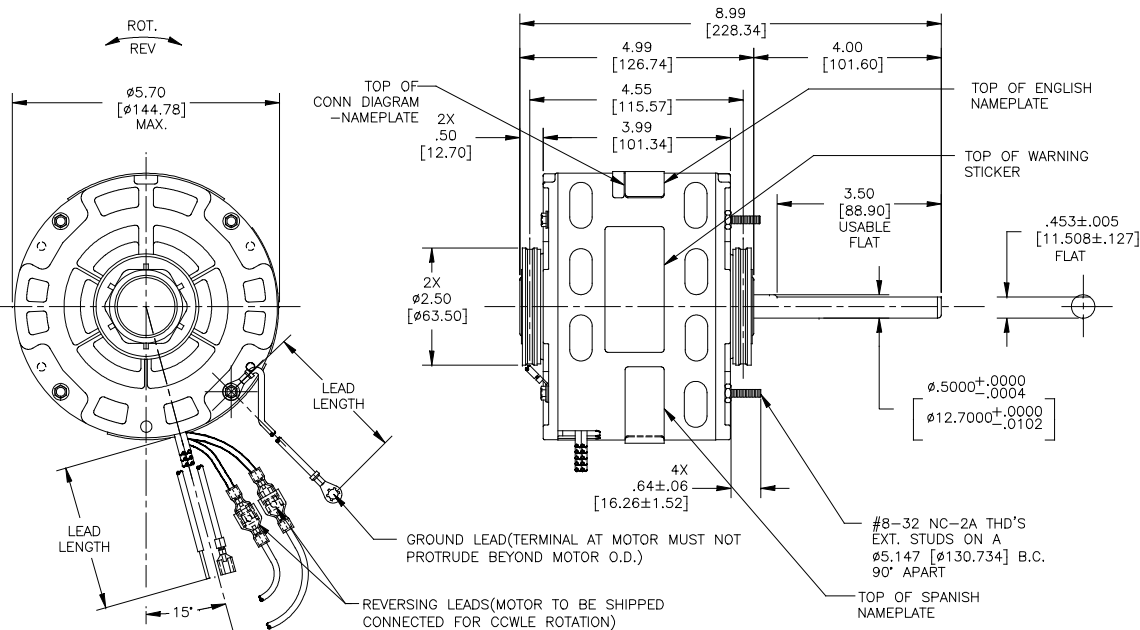
MOUNTING POSITION: HORIZONTAL

ELECTRICAL DATA:

OVERLOAD PROTECTOR: AUTOMATIC RESET (T.I. 7AM 036)

LEADS: NO. 18 GA., .03 [.76] THK.,XLP 125°C INSUL.

GROUND LEADS: NO. 18 GA., .03 [.76] THK.,(GREEN)INSUL.



NAMEPLATE DATA:	EXTERNAL CONNECTION DIAGRAM
MODEL: F48AH70A01 CUST. P/N: EM3583 HP: 1/4 ROT: REVERSIBLE RPM: 1075/3 SPD TYPE: UF FRAME: 48Y VOLTS: 115V PH: 1 AMPS: 4.2-2.4-2.0 HZ: 60 INS: B AMB: 40 °C DUTY: AIR OVER CODE: - CAP.: 5MFD/370V ENCL: OPEN UL LOGO & FILE NO. CSA LOGO & FILE NO. THERMALLY PROTECTED	

GREEN (GRD)	9/11 [229/279]	#10 EYELET
PURPLE (REV)	4/6 [102/152]	.25[6.35] PER-INSUL. MALE TAB
PURPLE (REV)	4/6 [102/152]	.25[6.35] PER-INSUL. FEMALE SPADE
YELLOW (REV)	4/6 [102/152]	.25[6.35] PER-INSUL. MALE TAB
YELLOW (REV)	4/6 [102/152]	.25[6.35] PER-INSUL. FEMALE SPADE
BROWN	25/27 [635/686]	.25[6.35] FEMALE SPADE
BROWN/WHITE	25/27 [635/686]	.25[6.35] FEMALE SPADE
WHITE	25/27 [635/686]	.60[15.24] SKIN
BLACK	25/27 [635/686]	.60[15.24] SKIN
BLUE	25/27 [635/686]	.60[15.24] SKIN
RED	25/27 [635/686]	.60[15.24] SKIN
COLOR	LENGTH	TERMINAL OR STRIP LENGTH

REGAL-BELOIT CORPORATION (RBC) PROVIDES TECHNICAL ASSISTANCE TO OUR CUSTOMERS IN SEVERAL AREAS. SINCE RBC DOES NOT RECEIVE ALL DATA CONCERNING THE USE AND APPLICATION OF THE MOTOR, THE SUITABILITY OF THE MOTOR FOR THE APPLICATION MUST BE DETERMINED BY THE CUSTOMER.

DIMENSIONS WITHOUT TOLERANCES ARE FOR REFERENCE ONLY.

MAIN FRAME - OLE	OPEN
END FRAME - OLE	OPEN
MAIN FRAME - LE	OPEN
END FRAME - LE	OPEN

CUSTOMER	ECONOMASTER
----------	-------------

PERFORMANCE CURVE NO.	TORQUE @ 1075 RPM (25°C)	APPROVED SAMPLE	UL COMPONENT				CSA
FILE #	CCN #	FILE #	CLASS #	FILE #	CLASS #		
C0000987	22.1 OZ. FT.	OER-0010220	E46412	PRGY2	LR43341	4211-01	

LEAD DATA		
DRAWING REVISION	REVISION BY	DATE
C	HANNA.ZOU	04-29-2019
ECO	APPROVED BY	DATE
ECO-0165194	KEYUN.GONG	04-29-2019
ECO DESCRIPTION		
SEE ECO		

ENCLOSURE		CUSTOMER	
DRAWN BY:	CADDIE.ZHOU	REGAL	Regal Beloit America, Inc.
DATE:	05-26-2017	MODEL-RFHP-48FR	OUTLINE
APPROVED BY:	DEXIAN.LI	MATERIAL	PROCESS/FINISH
DATE:	05-26-2017	REFERENCE	F48AD13A01
THIRD ANGLE PROJECTION	SIZE DWG NO	EM3583	SHEET 1