

PRODUCT INFORMATION PACKET



Model No: EM3466
Catalog No: EM3466
3/4 HP Fan & Blower Motor, 1075 RPM, 4 Speed, 115 Volts, 48 Frame, OAO
Direct Drive Motors



Regal and Century are trademarks of Regal Beloit Corporation or one of its affiliated companies.
©2020 Regal Beloit Corporation, All Rights Reserved. MC017097E

The REGAL logo is a grey rectangular box with the word 'REGAL' in white, slanted capital letters. It is positioned on a blue background with a halftone dot pattern that tapers to the right.

REGAL



Nameplate Specifications

Output HP	3/4 MAX Hp	Output KW	0.56 kW
Frequency	60 Hz	Voltage	115 V
Current	9.1 MAX A	Speed	1075 rpm
Service Factor	1	Phase	1
Duty	Air Over	Insulation Class	B
Frame	48Y	Enclosure	Open Enclosed
Thermal Protection	Automatic	Ambient Temperature	40 °C
UL	Recognized	CSA	Y
CE	N		

Technical Specifications

Electrical Type	Permanent Split Capacitor	Starting Method	Across The Line
Poles	6	Rotation	Reversible
Mounting	Extended Studs	Motor Orientation	Horizontal
Drive End Bearing	Ball	Opp Drive End Bearing	Ball
Frame Material	Rolled Steel	Shaft Type	Flat
Overall Length	10.36 in	Frame Length	4.25 in
Shaft Diameter	0.500 in	Shaft Extension	4.5 in
Connection Drawing	614131-265	Outline Drawing	EM3466-S01

This is an uncontrolled document once printed or downloaded and is subject to change without notice. Date Created:22/09/2020

GENERAL INFORMATION:

SHAFT RUNOUT: .001[.03] T.I.R. PER INCH LENGTH OF EXTENSION

BEARINGS: BALL

MOUNTING POSITION: HORIZONTAL

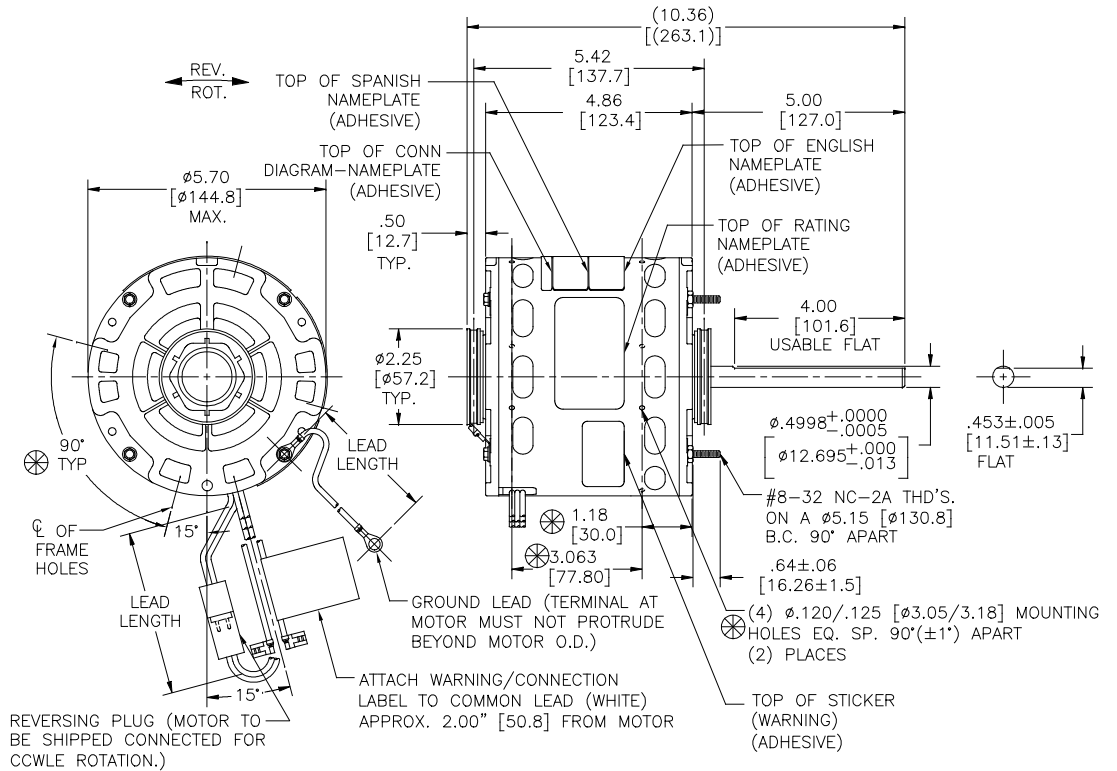
ELECTRICAL DATA:

OVERLOAD PROTECTOR: AUTOMATIC RESET (T.I. 7AM 036)

LINE LEADS: NO. 18 GA., .03[.8] THK. XLP 125°C INSUL.

REVERSING PLUGS: NO. 18 GA., .03[.8] THK. XLP 125°C INSUL.

GROUND LEAD: NO. 18 GA., .03[.8] THK. (GREEN) INSUL.



REVERSING PLUG (MOTOR TO BE SHIPPED CONNECTED FOR CCWLE ROTATION.)

NOTES:

1. DENOTES CRITICAL CHARACTERISTICS.
2. 4X SPLIT RING ADAPTOR 615035,8X SCREWS 615982-001 TO BE PUT IN A POLYBAG & BE PACKED WITH EACH MOTOR.
3. THE SYMBOL OF CTQ: ▲ (NO CTQ ON THIS DRAWING).
4. MEET THE REQUIREMENT OF RoHS & REACH, SEE EPO00014_5.1.

REGAL-BELOIT CORPORATION (RBC) PROVIDES TECHNICAL ASSISTANCE TO OUR CUSTOMERS IN SEVERAL AREAS. SINCE RBC DOES NOT RECEIVE ALL DATA CONCERNING THE USE AND APPLICATION OF THE MOTOR, THE SUITABILITY OF THE MOTOR FOR THE APPLICATION MUST BE DETERMINED BY THE CUSTOMER.

DIMENSIONS WITHOUT TOLERANCES ARE FOR REFERENCE ONLY.

GREEN (GROUND)	9.0/11.0 [229/279]	.25[6.4] RING
BLACK/WHITE	3.0/5.0 [76/127]	REVERSING PLUG
BROWN	36.5/39.5 [927/1003]	.25[6.4] FLAG
BROWN/WHITE	36.5/39.5 [927/1003]	.25[6.4] FLAG
RED	36.5/39.5 [927/1003]	.25[6.4] FLAG
YELLOW	36.5/39.5 [927/1003]	.25[6.4] FLAG
BLUE	36.5/39.5 [927/1003]	.25[6.4] FLAG
BLACK	36.5/39.5 [927/1003]	.25[6.4] FLAG
WHITE	36.5/39.5 [927/1003]	.25[6.4] FLAG
COLOR	LENGTH	TERMINAL OR STRIP LENGTH

MAIN FRAME - OLE	OPEN
END FRAME - OLE	OPEN
MAIN FRAME - LE	OPEN
END FRAME - LE	OPEN

CUSTOMER	DISTRIBUTION SERVICE
----------	----------------------

NAMEPLATE DATA:	EXTERNAL CONNECTION DIAGRAM
MODEL NO.: F48AE82A01 CUST. P/N: EM3466 HP: 3/4 MAX. ROT.: REVERSIBLE RPM: 1075/4 SPD. TYPE: UF FRAME: 48Y VOLTS: 115 PH: 1 AMPS: 9.1 MAX. HZ: 60 INS.: B AMB.: 40° C DUTY: AIR OVER CAP.: 10 MFD/370 V ENCL: OPEN UL LOGO CSA LOGO THERMALLY PROTECTED	<p>BROWN SEP. CAP</p> <p>BRN/WHT</p> <p>WHITE</p> <p>BLACK HI</p> <p>BLUE MH</p> <p>YELLOW ML</p> <p>RED LO</p> <p>ROTATION</p> <p>BLACK WHITE</p> <p>WHITE WHITE</p> <p>CCWLE</p> <p>BLACK WHITE</p> <p>WHITE BLACK</p> <p>CWLE</p>

PERFORMANCE CURVE NO.	TORQUE @1075 RPM (25°C)	APPROVED SAMPLE	UL COMPONENT	CSA
C32039	58.1 OZ. FT.	0143719A	E46412 PRGY2	LR43341 4211-01

DRAWING REVISION	REVISION BY	DATE
D	GELINE.ZHAO	06-12-2020
ECO	APPROVED BY	DATE
ECO-0187793	KEYUN.GONG	06-12-2020
ECO DESCRIPTION		
SEE ECO		

DRAWN BY: D.ZHANG	DATE: 10-31-2011	DESCRIPTION: MODEL-RFHP-48FR OUTLINE
APPROVED BY: HONG.ZHU	DATE: 10-31-2011	MATERIAL: -
THIRD ANGLE PROJECTION	SIZE: C	DWG NO: EM3466
		PROCESS/FINISH: -
		SHEET: 1

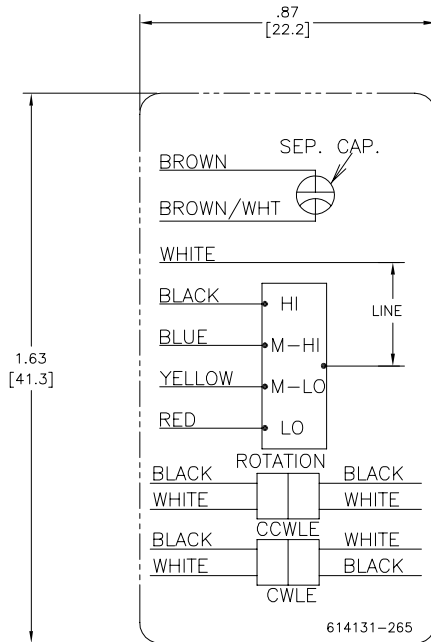
4

3

2

1

REV	ECO	REV BY	DATE	APPD	DATE
C	0029048	D.RODRIGUEZ	10-18-2012	J.HESS	10-18-2012



NOTES:

1. FOR USE WITH 614129 NAMEPLATE BLANK
2. --- --- INDICATES DIMENSION LIMITS
3. DIE TO BE MADE FROM MASTER SUPPLIED BY REGAL
4. DIE MUST PRODUCE A LEGIBLE IMPRESSION.

GEOMETRIC CHARACTERISTICS & SYMBOLS	
	FLATNESS
	STRAIGHTNESS
	ANGULARITY
	PERPENDICULARITY (SQUARENESS)
	PARALLELISM
	ROUNDNESS (CIRCULARITY)
	CYLINDRICITY
	PROFILE OF ANY SURFACE
	PROFILE OF ANY LINE
	RUNOUT
	TRUE POSITION
	CONCENTRICITY
	SYMMETRY

UNLESS OTHERWISE SPECIFIED DIM. TOLERANCES ARE AS FOLLOWS:
INCH ± 1 $\pm .02$ $\pm .005$ $\pm .0005$
mm ± 0.5 ± 0.13 ± 0.013
ANG. ± 50 DEG
REMOVE BURRS & BREAK SHARP EDGES:
INCH .003-.015 mm 0.1-.04
CORNER FILLETS TO:
INCH .020 mm 0.5
MACHINE SURFACES:
INCH 125 mm 3.2
METRIC DIMS. SHOWN IN [BRACKETS]

DR BY: JZ	03-31-2011
APPD: CZ	03-31-2011
THIRD ANGLE PROJECTION	EDS DATE 11-11-2011 FORMAT REV H
CONFIDENTIAL: THIS DRAWING AND ITS INFORMATION ARE THE EXCLUSIVE AND CONFIDENTIAL PROPERTY OF REGAL-BELOIT CORPORATION AND ARE NOT TO BE DISCLOSED, DUPLICATED, DISTRIBUTED OR OTHERWISE USED WITHOUT THE WRITTEN CONSENT OF REGAL-BELOIT CORPORATION. -ALL RIGHTS RESERVED.	

REGAL-BELOIT CORPORATION	
DESCRIPTION CONN DIAGRAM-NAMEPLATE	
SIZE C	DWG NO 614131-265
SCALE NONE	SHEET 1

4

3

2

1