

Project Name: _____
 Location: _____
 Engineer: _____
 Submitted to: _____
 Submitted by: _____
 Reference: _____

Approval: _____
 Date: _____
 Construction: _____
 Unit #: _____
 Drawing #: _____

Performance

Indoor Unit Model No: FFQ15LVJU
Outdoor Unit Model No: _____
Rated Cooling Capacity (Btu/hr): 15000
Sensible Capacity (Btu/hr): N/A
Max/Min Cooling Capacity (Btu/hr / kW): N/A/N/A
Cooling Input Power (kW): _____
SEER: N/A
Rated Heating Capacity (Btu/hr): 17500
Max/Min Heating Capacity (Btu/hr / kW): N/A/N/A
Heating Input Power (kW): _____
Heating COP (Btu/hr / Btu/hr): data book
HSPF: N/A

Indoor Unit Type: 2' X 2' Ceiling Cassette
Condensing Unit Type: _____
Rated Cooling Conditions Indoor: 80°F DB/67°F WB
 Outdoor: 95°F DB/75°F WB
Rated Heating Conditions Indoor: 70°F DB/60°F WB
 Outdoor: 47°F DB/43°F WB
Rated Piping Length(ft) _____
Rated Height Separation(ft) _____

Indoor Unit Details

Power Supply (V/Hz/Ph): 208-230/60/1ph
Power Supply Connections: L1, L2, Ground
Min Circuit Amps MCA (A): _____
Max Overcurrent Amps MFA (A): 15
Dimensions (HxWxD): 11 1/4x22 5/8x22 5/8
Panel (HxWxD): 2 5/32x27 9/16x27 9/16
Net Weight (lbs): 38.5
Weight with Panel (lbs): 48

Airflow Rate (CFM wet coil) 424//283
Moisture Removal (pt/h): _____
Gas Pipe Connection (inch): 1/2
Liquid Pipe Connection (inch): 1/4
Condensate Connection (inch): 1-1/32
Sound Pressure Level (dBA): 37
Sound Power Level (dBA): _____
Static Pressure Rated/Max (inWg) 0 / 0/0

Condensing Unit Details

Power Supply (V/Hz/Ph): _____
Power Supply Connections: _____
Min. Circuit Amps MCA (A): _____
Max. Overcurrent Amps MFA (A): _____
Max. Starting Current MSC(A): _____
Rated Load Amps RLA (A): _____
Dimensions (HxWxD): N/A
Net Weight (lbs): _____

Compressor Type: Inverter
Capacity Control Range (%): _____
Airflow Rate (CFM): N/A
Gas Pipe Connection (inch): _____
Liquid Pipe Connection (inch): _____
Sound Pressure Level (dBA): _____
Sound Power Level (dBA): _____

System Details

Refrigerant Type: R-410A
Holding Refrigerant Charge (lbs): data book
Additional Charge (oz/ft): data book
Pre-charge Piping (Length ft): data book
Max. Pipe Length (Total ft): data book

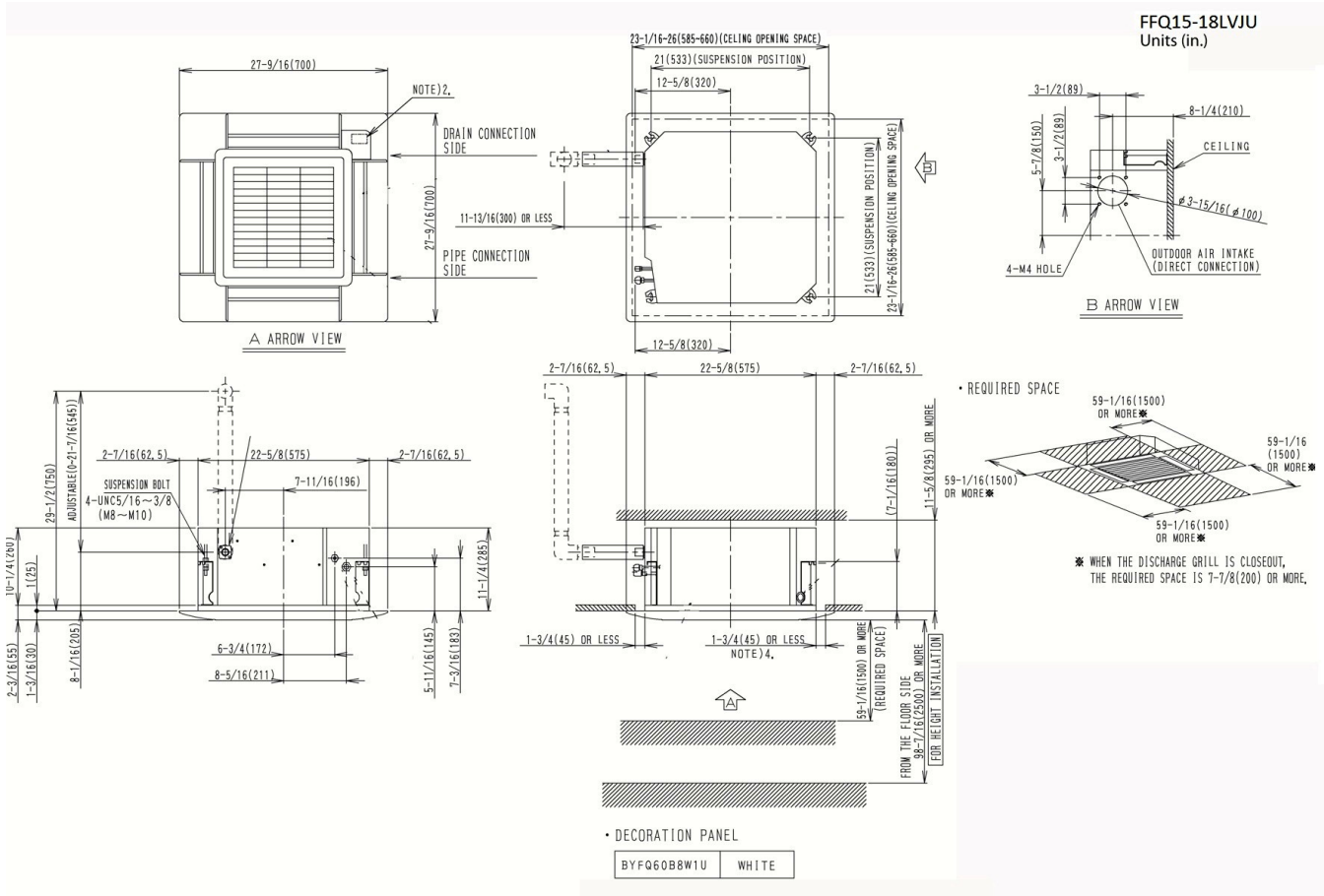
Max. Pipe Length (Vertical ft): data book
Cooling Operation Range (°F): 57 - 82 WB (Room)
Cooling Range w/Baffle (°F): _____
Heating Operation Range (°F): 59 - 80 DB (Room)
Heating Range w/Baffle (°F): _____

Project Name: _____
 Location: _____
 Engineer: _____
 Submitted to: _____
 Submitted by: _____
 Reference: _____

Approval: _____
 Date: _____
 Construction: _____
 Unit #: _____
 Drawing #: _____

Dimensional Drawing - Indoor Unit

FFQ15LVJU



Project Name: _____
Location: _____
Engineer: _____
Submitted to: _____
Submitted by: _____
Reference: _____

Approval: _____
Date: _____
Construction: _____
Unit #: _____
Drawing #: _____

FFQ15LVJU



FFQ15LVJU

Std U.S. Warranty: 7yrs Compressor, 1yrs Parts

Std U.S. Warranty: 7yrs Compressor, 1yrs Parts