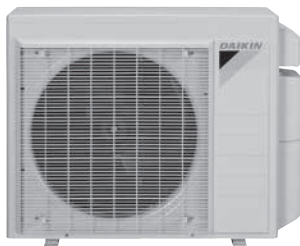


## ENHANCED-CAPACITY, HIGH-EFFICIENCY MULTI-ZONE DUCTLESS SYSTEM

### PERFORMANCE:

- UP TO 17.9 SEER
- UP TO 12.7 EER
- UP TO 12.5 HSPF



### Product Features

- Inverter compressor
- 208/230/1 Power supply
- Cooling operating range: 14° to 115° F (w/ jumper cut)
- Heating operating range: -13° to 75° F (w/ drain pan heater as applicable)
- Up to 100% of rated heating capacity at 5° F
- Pre-charged for up to 131 ft. of liquid line
- Outdoor sound pressures as low as 50 dB(A)
- Outdoor unit quiet operation
- Auto changeover
- Auto fan speed control
- Self diagnostics with digital display
- Auto restart after power failure
- Anti-corrosion treatment on heat exchanger



\* Complete warranty details available from your local dealer or at [www.daikincomfort.com](http://www.daikincomfort.com). To receive the 12-Year Parts Limited Warranty, online registration must be completed within 60 days of installation. Online registration and some of the additional requirements are not required in California or Quebec.

SYSTEM PERFORMANCE			
Model Name	IDU ODU	--- 2MXL18QMVJU	--- 3MXL24QMVJU
Nominal Capacity	BTU/h	18,000	24,000
Cooling Capacity (Rated)	BTU/h	18,000	24,000
Cooling Capacity (Rated-Max)	BTU/h	18,000 - 24,000	24,000 - 30,000
Heating Capacity (Rated)	BTU/h	18,900	24,000
Heating Capacity (Rated-Max)	BTU/h	18,900 - 36,000	24,000 - 41,000
Heating Capacity (@ 5F - Max)	BTU/h	18,900	21,600
SEER	---	17	17.9
EER	Btu/h*W	12.7	12.7
COP	W/W	4.2	4.56
HSPF	---	10.3	12.5
ELECTRICAL DATA			
Power Supply	V/φ/Hz	208-230/1/60	208-230/1/60
Minimum Circuit Amps	A	17.1	19.5
Max Overcurrent Protection	A	20	20
Power Consumption - Cooling	kW	1.42	1.89
Power Consumption - Heating	kW	1.32	1.54
OUTDOOR UNITS			
Sound Pressure Level - Cooling/Heating	dB(A)	50 /51	52 /54
Operating Range - Cooling	FDB	14 - 115	14 - 115
Operating Range - Low Ambient Cooling	FDB	---	---
Operating Range - w/ wind baffle	FDB	---	---
Operating Range - Heating	FDB	5-75	5-75
Operating Range - w/ drain pan heater as applicable	FDB	-13-75	-13-75
Max Piping Length	ft	164	230
Max Piping Height	ft	49¼	49¼
Dimensions (HxWxD)	in.	28 <sup>15</sup> / <sub>16</sub> x 34¼ x 12½	28 <sup>15</sup> / <sub>16</sub> x 34¼ x 12½
Net Weight	lbs	139	140

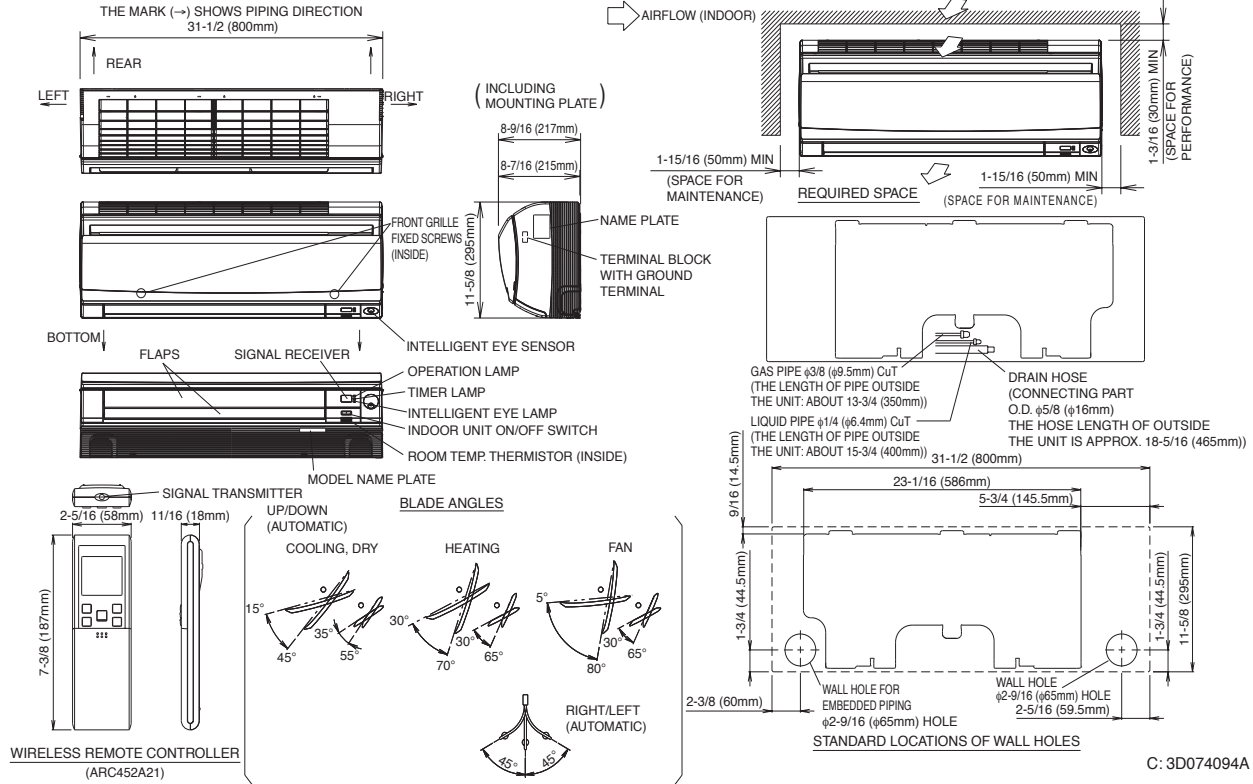
INDOOR WALL-MOUNTED UNITS							
Model Name			CTXS07LVJU	FTXS09LVJU	FTXS12LVJU	FTXS15LVJU	FTXS18LVJU
Outdoor Unit Compatibility			2MXL18QMVJU 3MXL24QMVJU	2MXL18QMVJU 3MXL24QMVJU	2MXL18QMVJU 3MXL24QMVJU	2MXL18QMVJU 3MXL24QMVJU	3MXL24QMVJU
Airflow-Wet (H/M/L/SL)	CFM		332/ 261/ 194/ 145	381/ 279/ 194/ 145	403/ 307/ 205/ 155	568/ 477/ 385/ 360	583/ 484/ 385/ 360
Airflow-Dry (H/M/L/SL)	CFM		350/ 290/ 233/ 219	420/ 321/ 233/ 219	438/ 335/ 240/ 212	593/ 505/ 417/ 371	625/ 526/ 431/ 399
Sound Pressure - Cooling (H/M/L/SL)	dB(A)		38/ 32/ 25/ 22	41/ 33/ 25/ 22	45/ 37/ 29/ 23	45/ 40/ 35/ 32	46/ 41/ 36/ 33
Sound Pressure - Heating (H/M/L/SL)	dB(A)		38/ 33/ 28/ 25	42/ 35/ 28/ 25	45/ 39/ 29/ 26	43/ 38/ 33/ 30	45/ 40/ 35/ 32
Piping Connections	Liquid (O.D.)	in.	∅ 1/4	∅ 1/4	∅ 1/4	∅ 1/4	∅ 1/4
	Gas (O.D.)	in.	∅ 3/8	∅ 3/8	∅ 3/8	∅ 1/2	∅ 1/2
	Condensate Drain	in.	∅ 5/8	∅ 5/8	∅ 5/8	∅ 5/8	∅ 5/8
Dimensions (H x W x D)	in.	11¾ x 31½ x 8 <sup>7</sup> / <sub>16</sub>				13¾ x 41¾ x 9¾	
Net Weight	lbs.		20	20	22	31	31

INDOOR SLIM-DUCT UNITS						
Model Name			FDXS09LVJU	FDXS12LVJU	CDXS15LVJU	CDXS18LVJU
Outdoor Unit Compatibility			2MXL18QMVJU 3MXL24QMVJU	2MXL18QMVJU 3MXL24QMVJU	2MXL18QMVJU 3MXL24QMVJU	3MXL24QMVJU
External Static Pressure		"W.G.	0.12	0.12	0.16	0.16
Airflow-Wet (H/M/L/SL)		CFM	305/ 280/ 260/ 235	305/ 280/ 260/ 235	424/ 388/ 353/ 297	424/ 388/ 353/ 297
Airflow-Dry (H/M/L/SL)		CFM	305/ 280/ 260/ 235	305/ 280/ 260/ 235	424/ 388/ 353/ 297	424/ 388/ 353/ 297
Sound Pressure - Cooling (H/M/L/SL)		dB(A)	35/ 33/ 31/ -	35/ 33/ 31/ -	37/ 35/ 33/ 31	37/ 35/ 33/ 31
Sound Pressure - Heating (H/M/L/SL)		dB(A)	35/ 33/ 31/ -	35/ 33/ 31/ -	37/ 35/ 33/ 31	37/ 35/ 33/ 31
Piping Connections	Liquid (O.D.)	in.	∅ 1/4	∅ 1/4	∅ 1/4	∅ 1/4
	Gas (O.D.)	in.	∅ 3/8	∅ 3/8	∅ 1/2	∅ 1/2
	Condensate Drain	in.	∅ 25/32	∅ 25/32	∅ 25/32	∅ 25/32
Dimensions (H x W x D)		in.	7 $\frac{7}{8}$ x 27 $\frac{9}{16}$ x 24 $\frac{7}{16}$		7 $\frac{7}{8}$ x 35 $\frac{7}{16}$ x 24 $\frac{7}{16}$	

INDOOR 2'x2' CEILING CASSETTE UNITS						
Model Name			FFQ09LVJU	FFQ12LVJU	FFQ15LVJU	FFQ18LVJU
Outdoor Unit Compatibility			2MXL18QMVJU 3MXL24QMVJU	2MXL18QMVJU 3MXL24QMVJU	2MXL18QMVJU 3MXL24QMVJU	3MXL24QMVJU
Cooling Capacity (Nominal)		BTU/h	9,500	12,000	15,000	18,000
Heating Capacity (Nominal)		BTU/h	11,100	14,000	17,500	21,000
Power Supply		V/Ph/Hz	208-230/1/60	208-230/1/60	208-230/1/60	208-230/1/60
Airflow Rate (H/L)		CFM	318/ 230	353/ 230	424/ 283	530/ 353
Sound Pressure - Cooling (H/L)		dB(A)	36/ 29	38/ 29	42/ 31	46/ 37
Sound Pressure - Heating (H/L)		dB(A)	36/ 29	38/ 29	42/ 31	46/ 37
Piping Connections	Liquid (O.D.)	in.	∅ 1/4	∅ 1/4	∅ 1/4	∅ 1/4
	Gas (O.D.)	in.	∅ 3/8	∅ 3/8	∅ 1/2	∅ 1/2
	Condensate Drain (O.D.)	in.	∅ 1-1/32	∅ 1-1/32	∅ 1-1/32	∅ 1-1/32
Dimensions – Unit (H x W x D)		in.	11 $\frac{1}{4}$ x 22 $\frac{3}{4}$ x 22 $\frac{3}{4}$		11 $\frac{1}{4}$ x 22 $\frac{3}{4}$ x 22 $\frac{3}{4}$	
Dimensions – Deco Panel (H x W x D)		in.	2 $\frac{1}{4}$ x 27 $\frac{3}{8}$ x 27 $\frac{3}{8}$		2 $\frac{1}{4}$ x 27 $\frac{3}{8}$ x 27 $\frac{3}{8}$	
Net Weight		lbs.	38.5	38.5	38.5	38.5

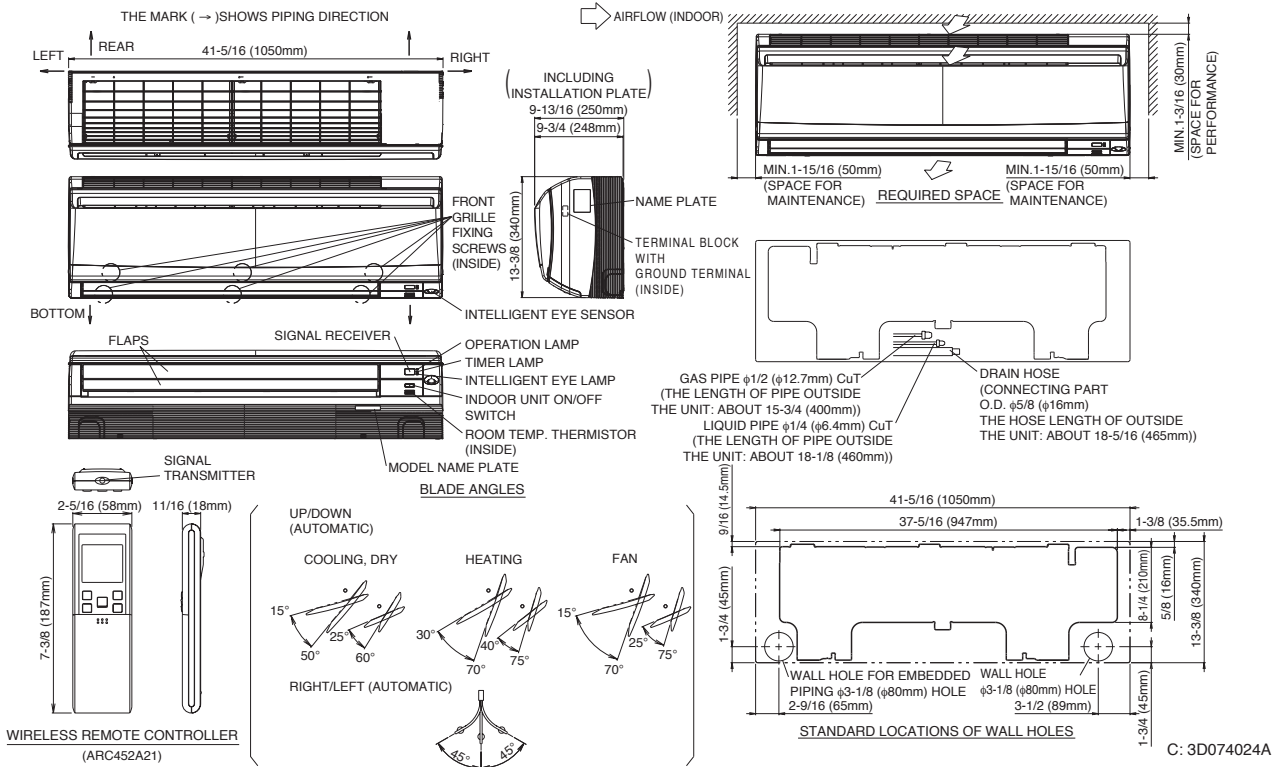
INDOOR FLOOR-STANDING UNITS						
Model Name			FVXS09NVJU	FVXS12NVJU	FVXS15NVJU	FVXS18NVJU
Outdoor Unit Compatibility			2MXL18QMVJU 3MXL24QMVJU	2MXL18QMVJU 3MXL24QMVJU	2MXL18QMVJU 3MXL24QMVJU	3MXL24QMVJU
Airflow Rate Cooling		CFM	290	300	378	378
Airflow Rate Heating		CFM	311	332	417	417
Power Supply		V/Ph/Hz	208-230/ 1/ 60	208-230/ 1/ 60	208-230/ 1/ 60	208-230/ 1/ 60
Sound Pressure - Cooling		dB(A)	38/ 32/ 26/ 23	39/ 33/ 27/ 24	44/ 40/ 36/ 32	44/ 40/ 36/ 32
Sound Pressure - Heating		dB(A)	38/ 32/ 26/ 23	39/ 33/ 27/ 24	44/ 40/ 36/ 32	44/ 40/ 36/ 32
Piping Connections	Liquid (O.D.)	in.	∅ 1/4	∅ 1/4	∅ 1/4	∅ 1/4
	Gas (O.D.)	in.	∅ 3/8	∅ 3/8	∅ 1/2	∅ 1/2
Dimensions – Unit (H x W x D)		in.	23 $\frac{3}{8}$ x 27 $\frac{1}{2}$ x 8 $\frac{3}{4}$			
Net Weight		lbs.	31	31	31	31

**CTXS07LVJU, FTXS09LVJU, FTXS12LVJU**



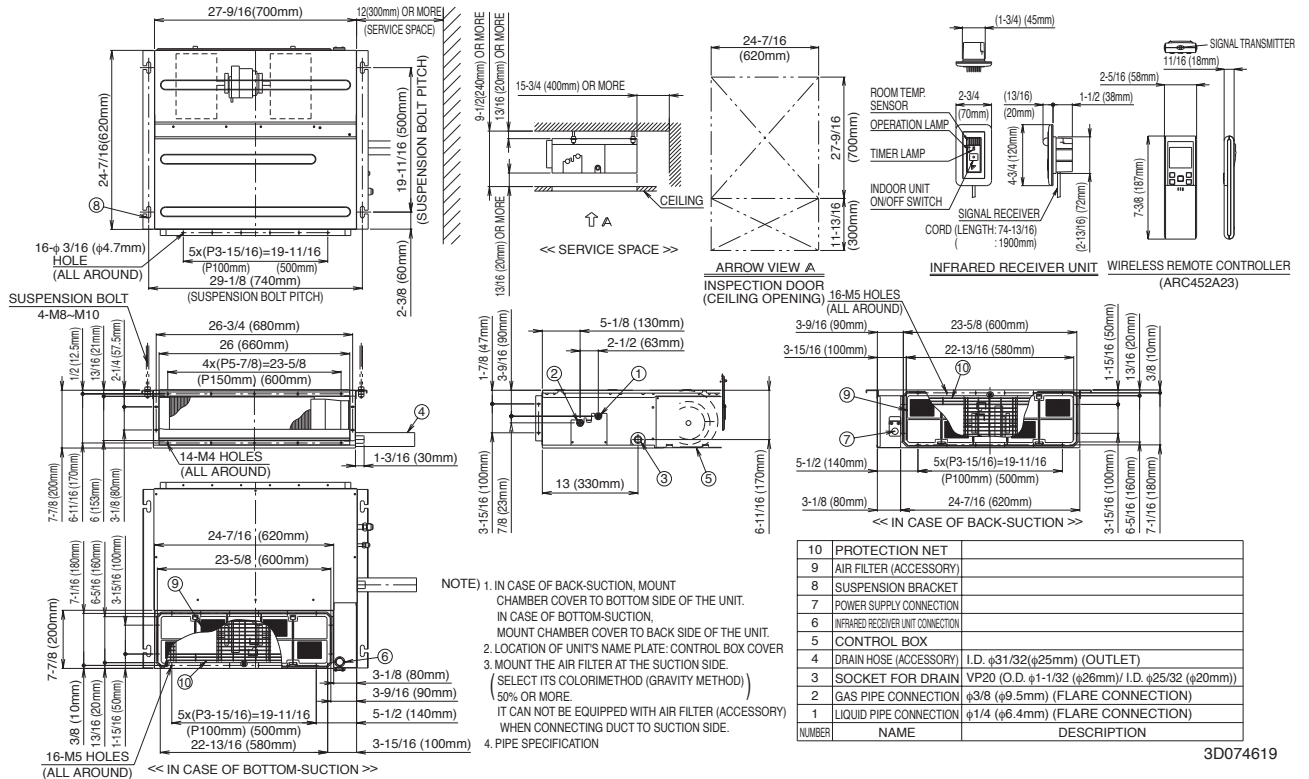
C: 3D074094A

**FTXS15LVJU, FTXS18LVJU**



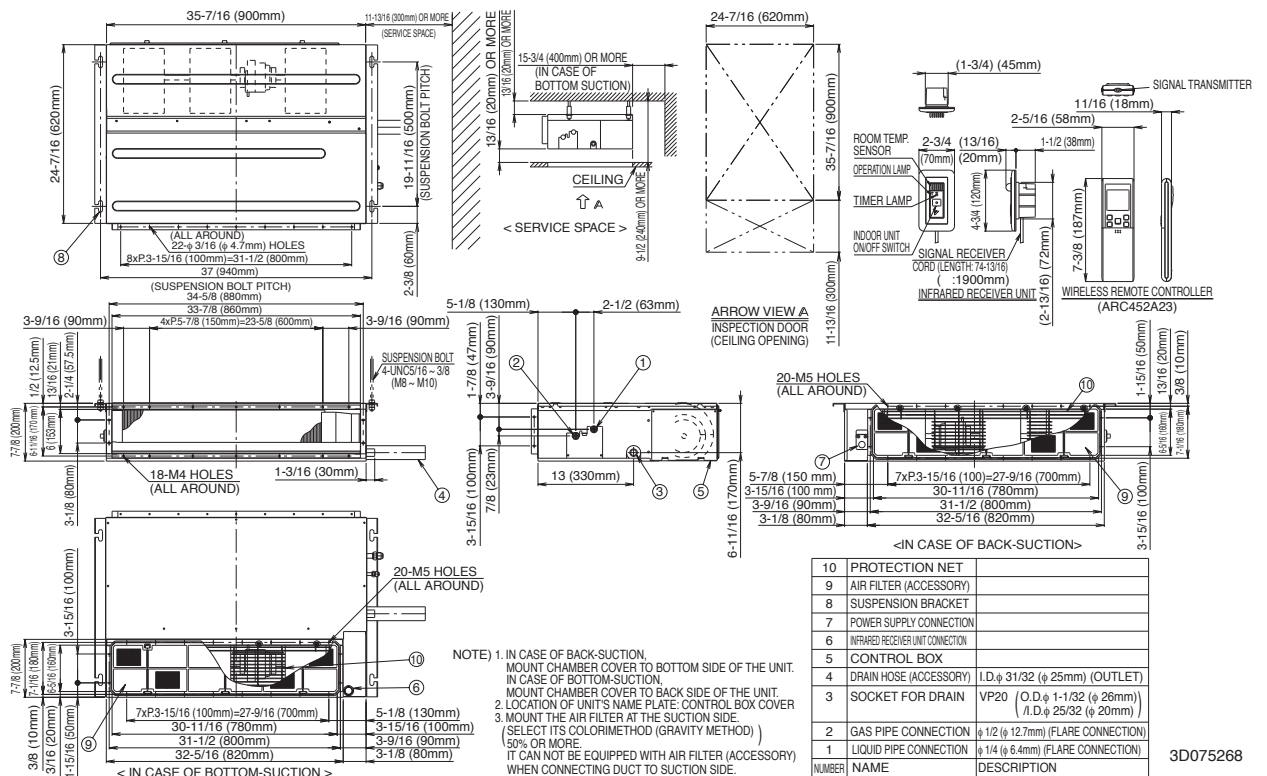
C: 3D074024A

FDXS09LVJU, FDXS12LVJU



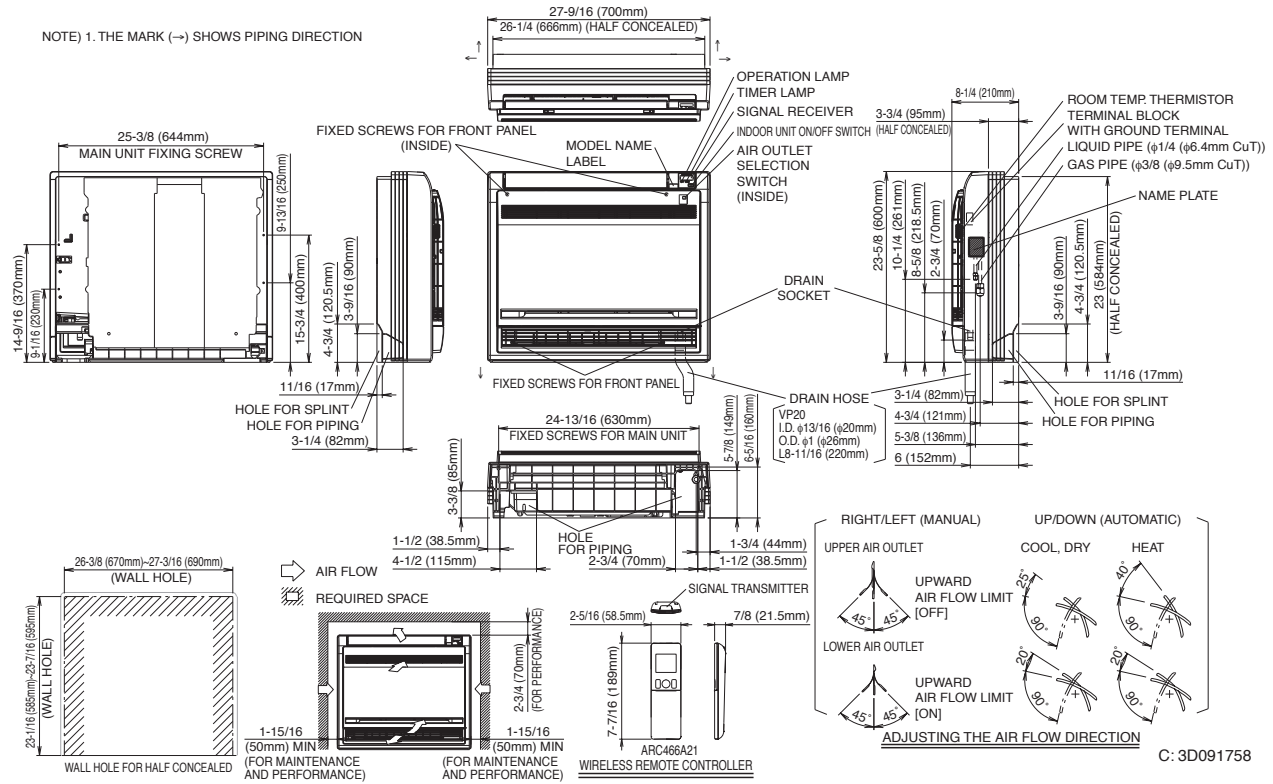
3D074619

CDXS15LVJU, CDXS18LVJU

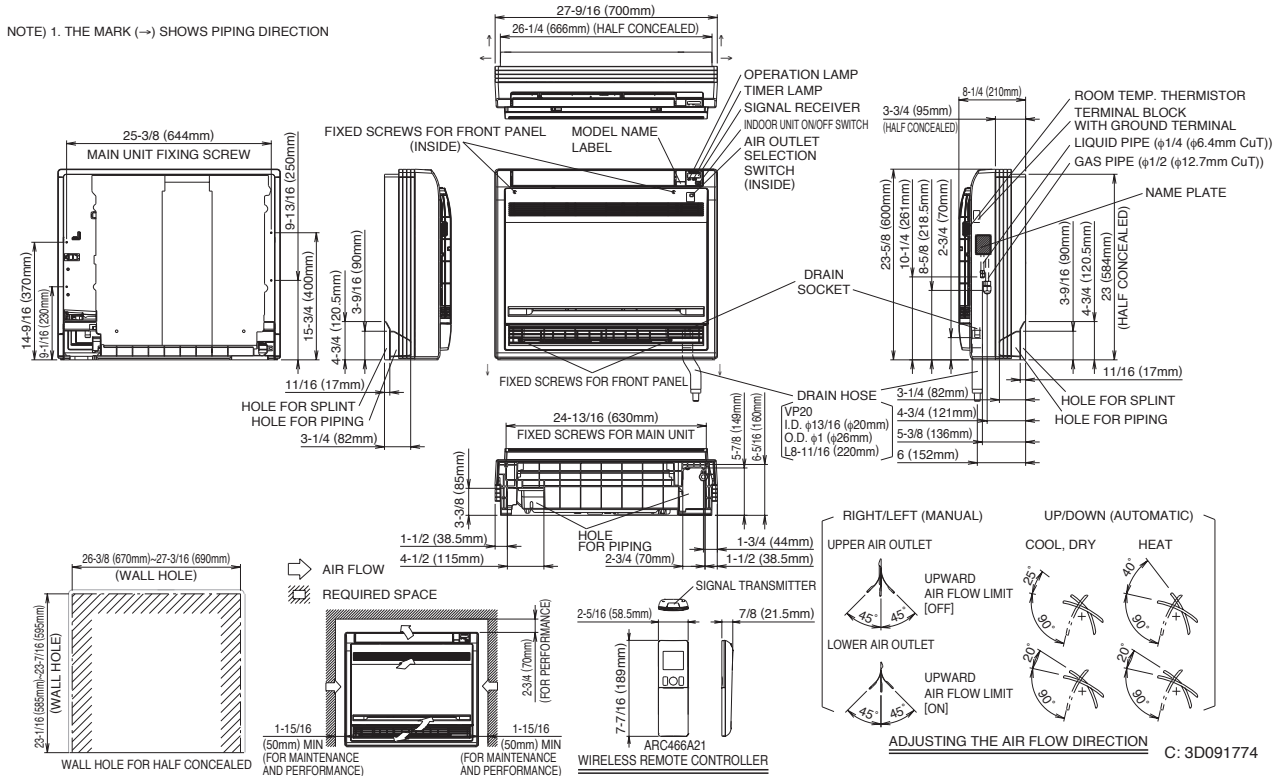


3D075268

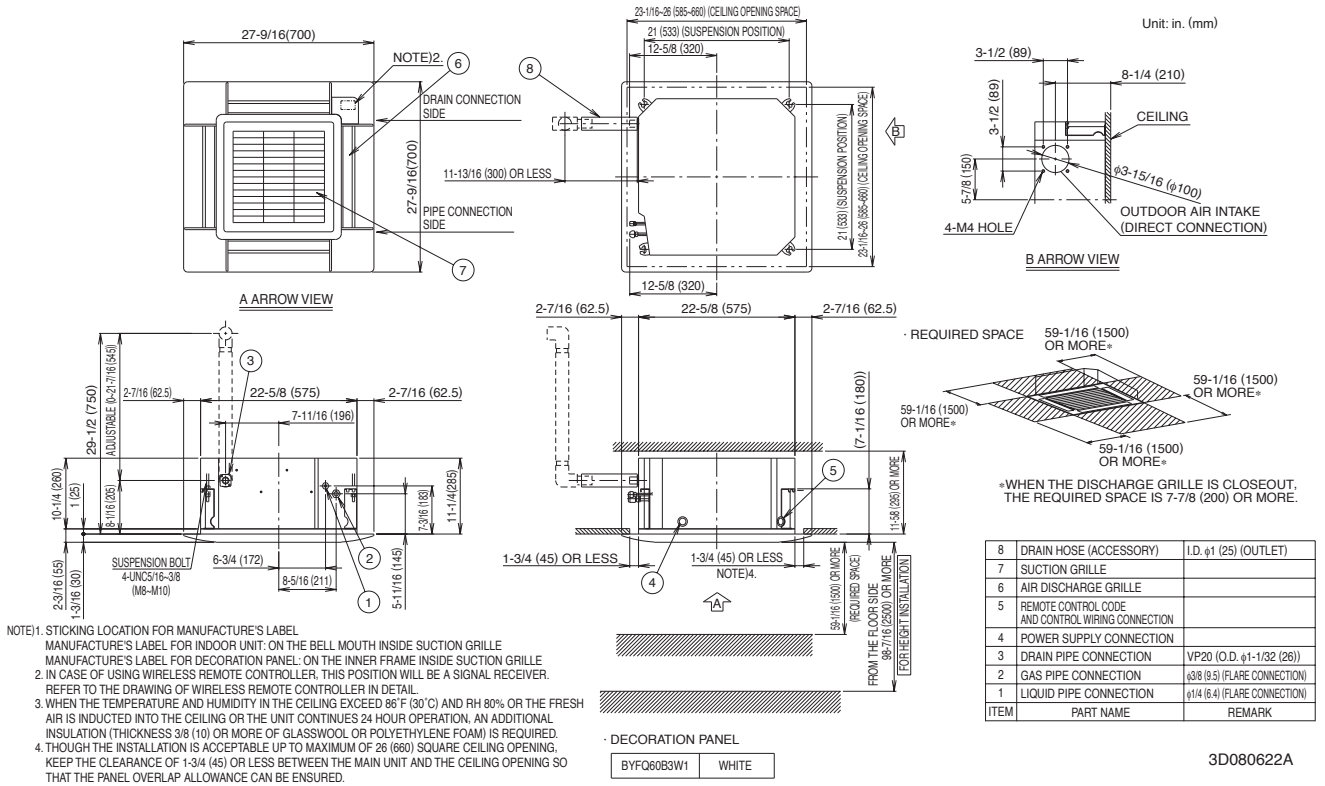
**FVXS09NVJU, FVXS12NVJU**



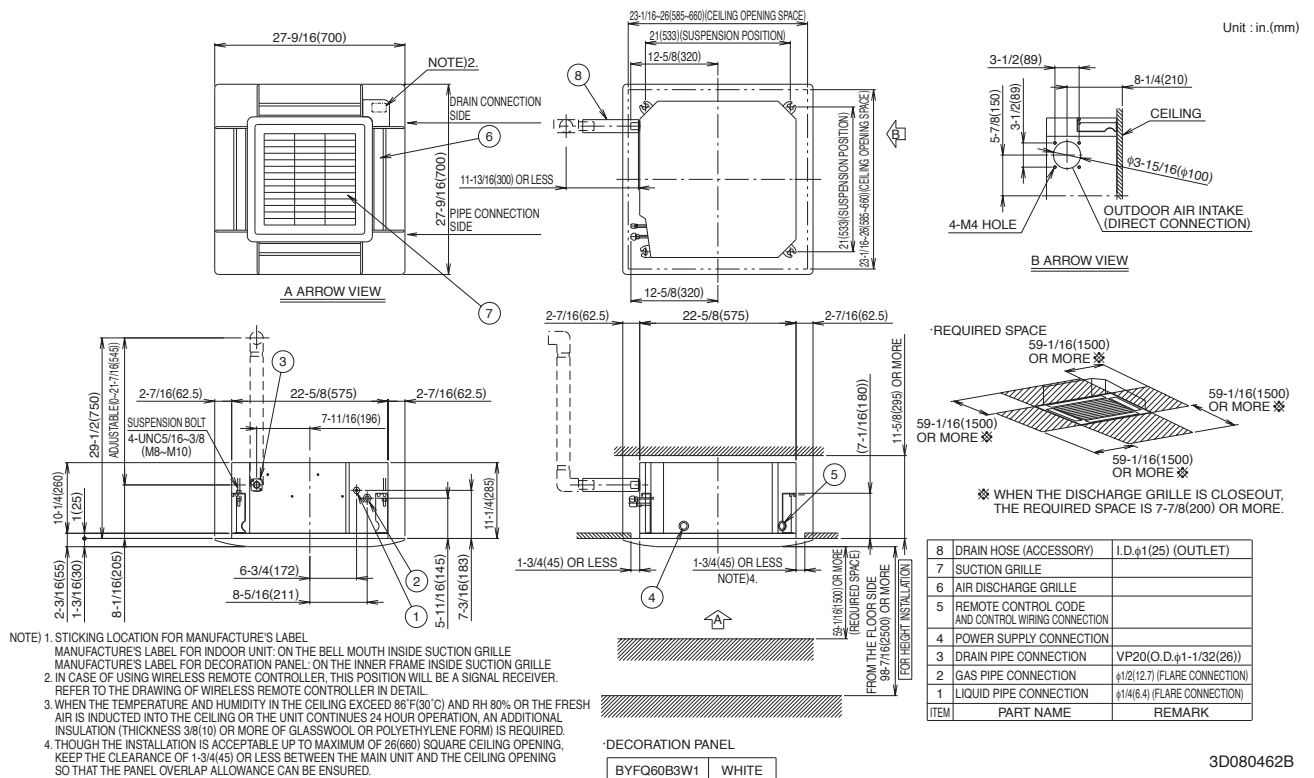
**FVXS15NVJU, FVXS18NVJU**



FFQ09/12LVJU with BYFQ60B3W1 (Decoration Panel)

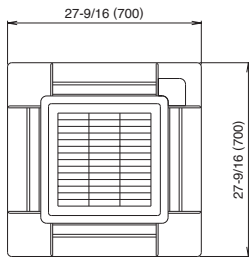


FFQ15/18LVJU with BYFQ60B3W1 (Decoration Panel)

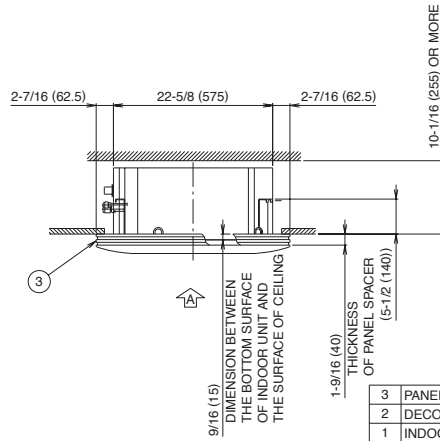
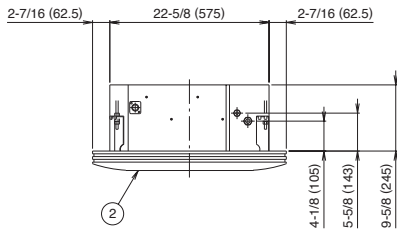
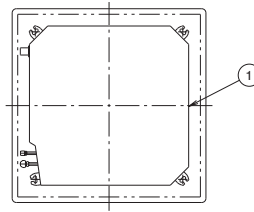


BYFQ60B3W1 — Decoration Panel (Option) —

Unit: in. (mm)



A ARROW VIEW

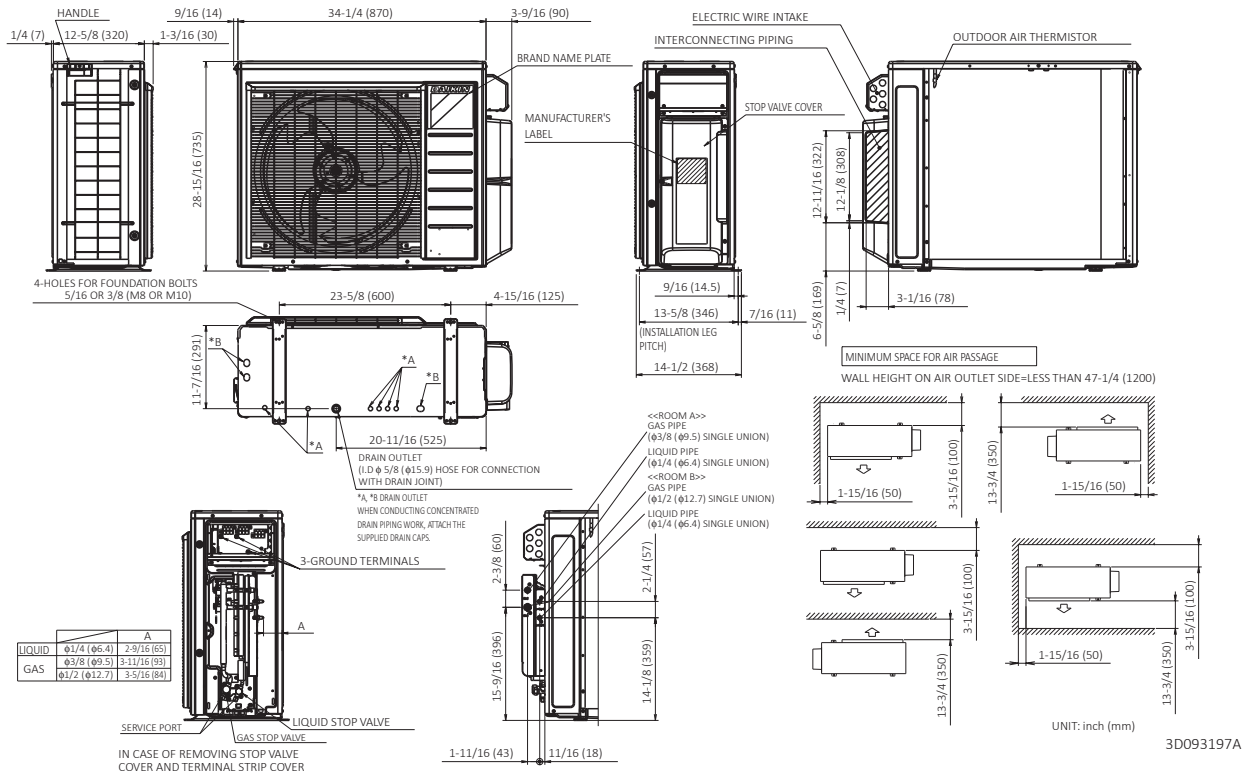


3	PANEL SPACER	
2	DECORATION PANEL	
1	INDOOR UNIT	
ITEM	NAME	REMARK

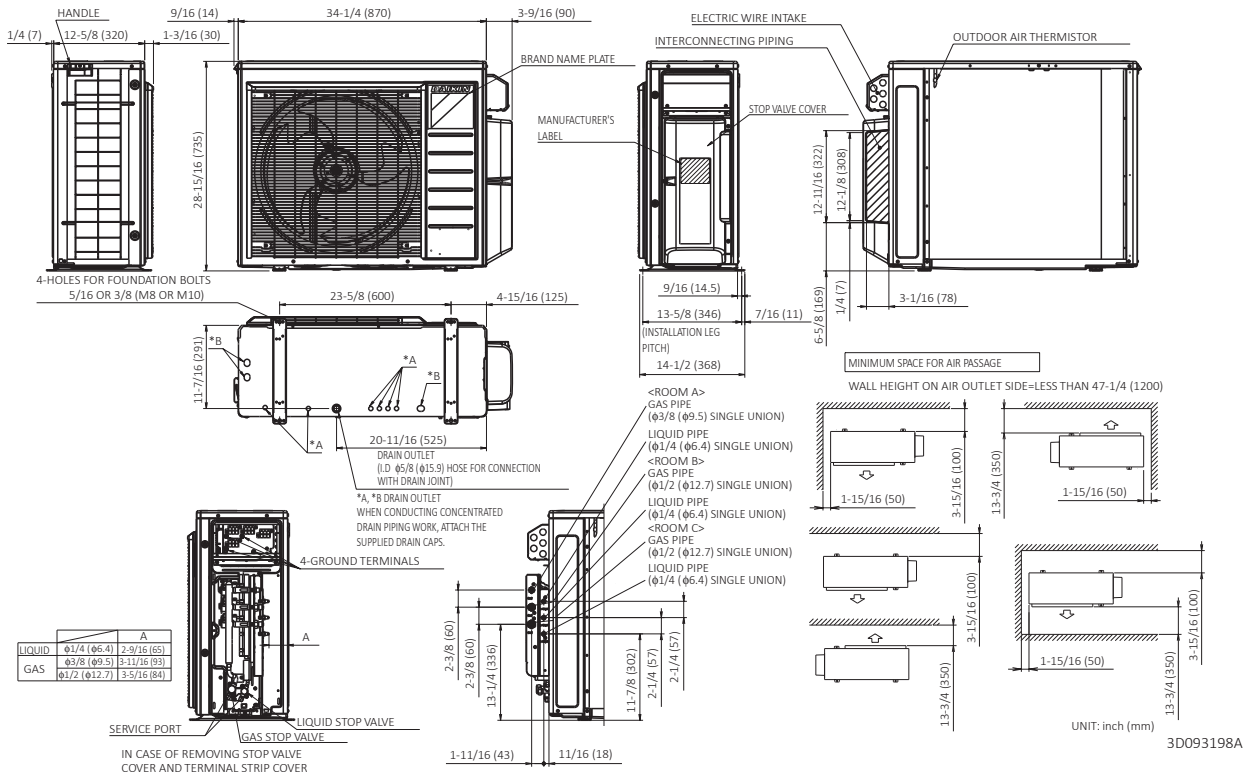
3D080470



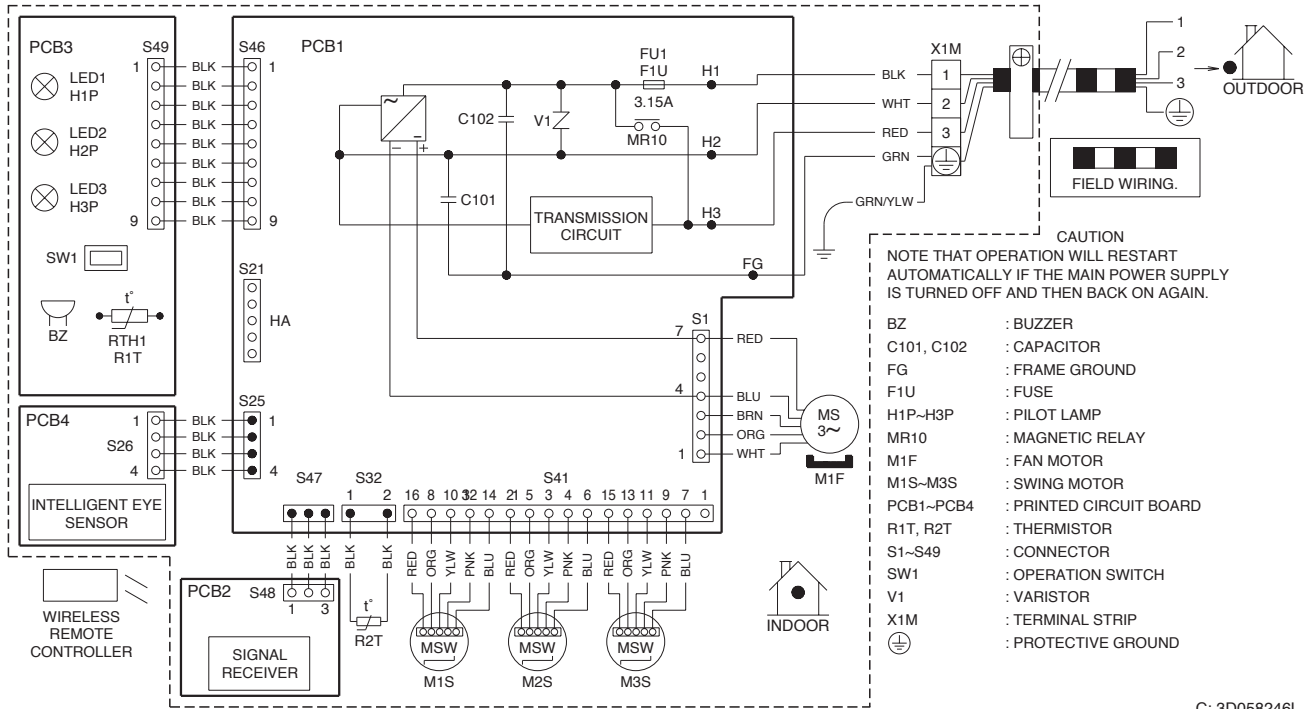
2MXL18QMVJU



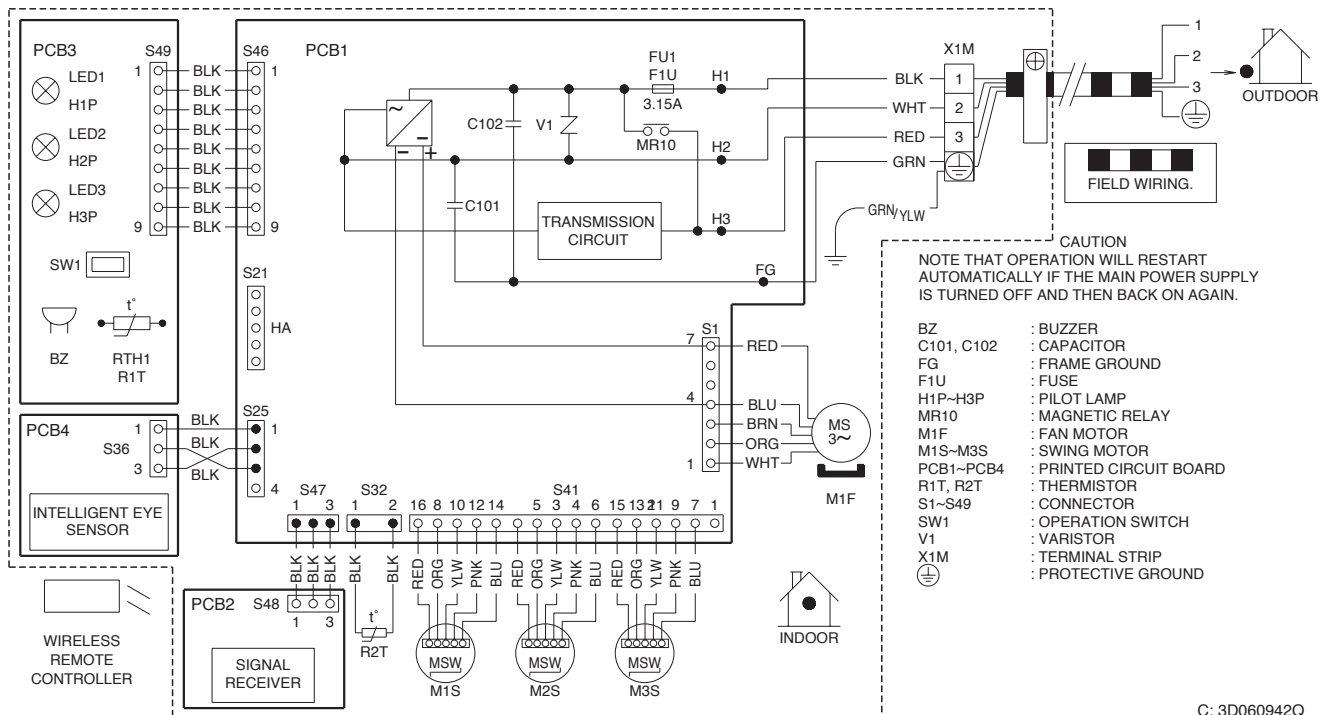
3MXL24QMVJU



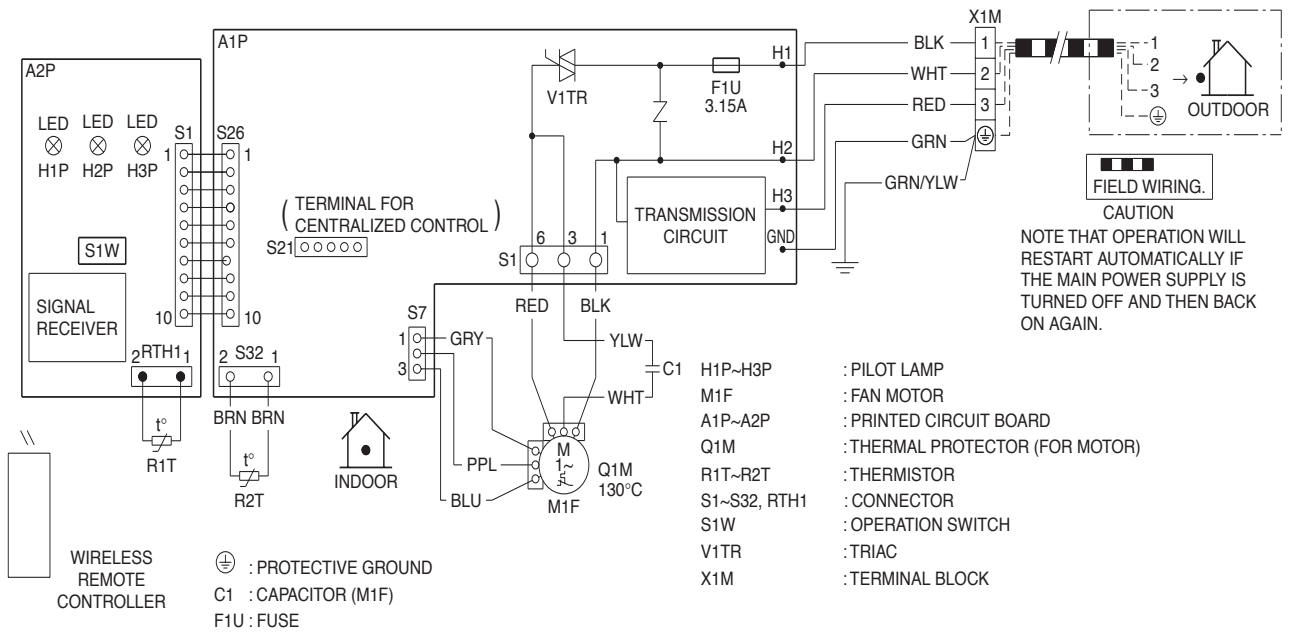
CTXS07LVJU, FTXS09LVJU, FTXS12LVJU



FTXS15LVJU, FTXS18LVJU

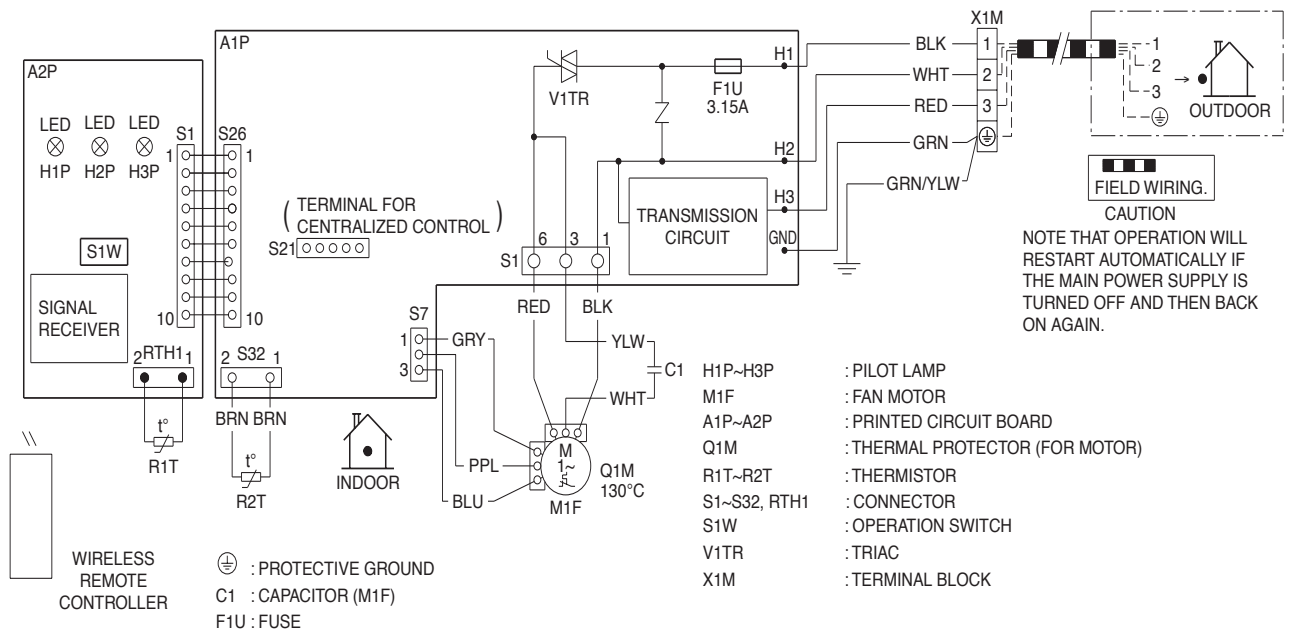


CDXS15LVJU, CDXS18LVJU



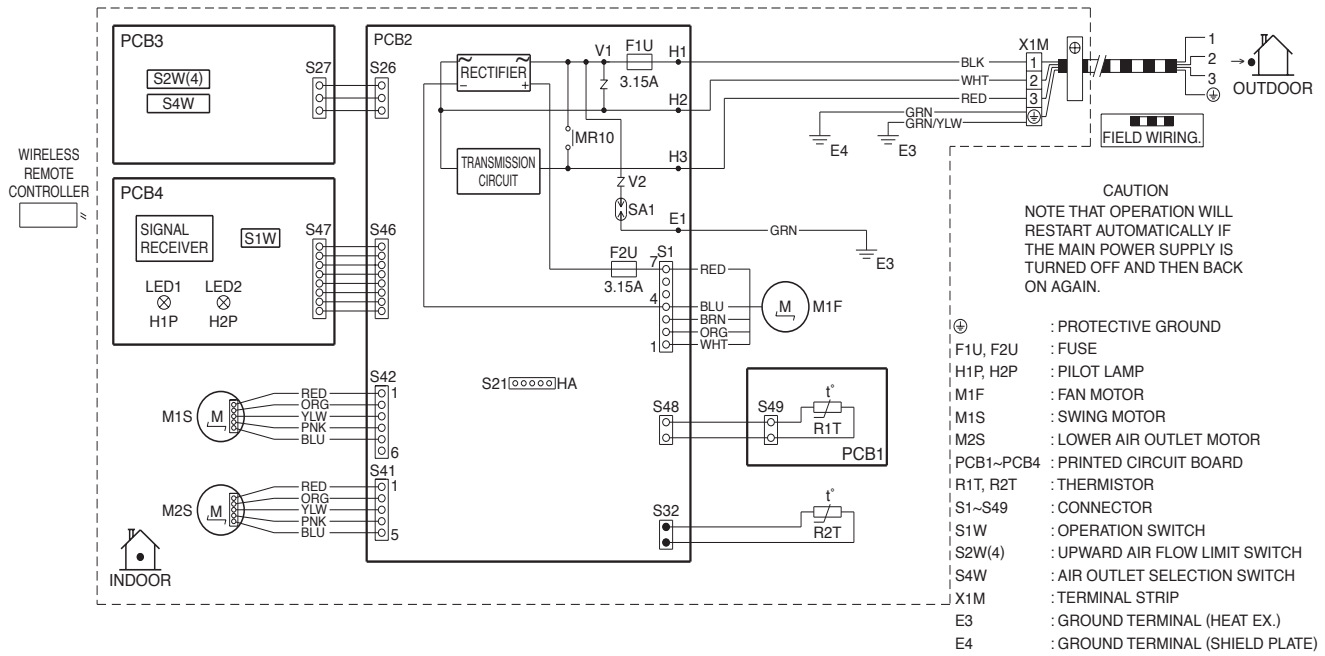
C: 3D073998B

FDXS09LVJU, FDXS12LVJU

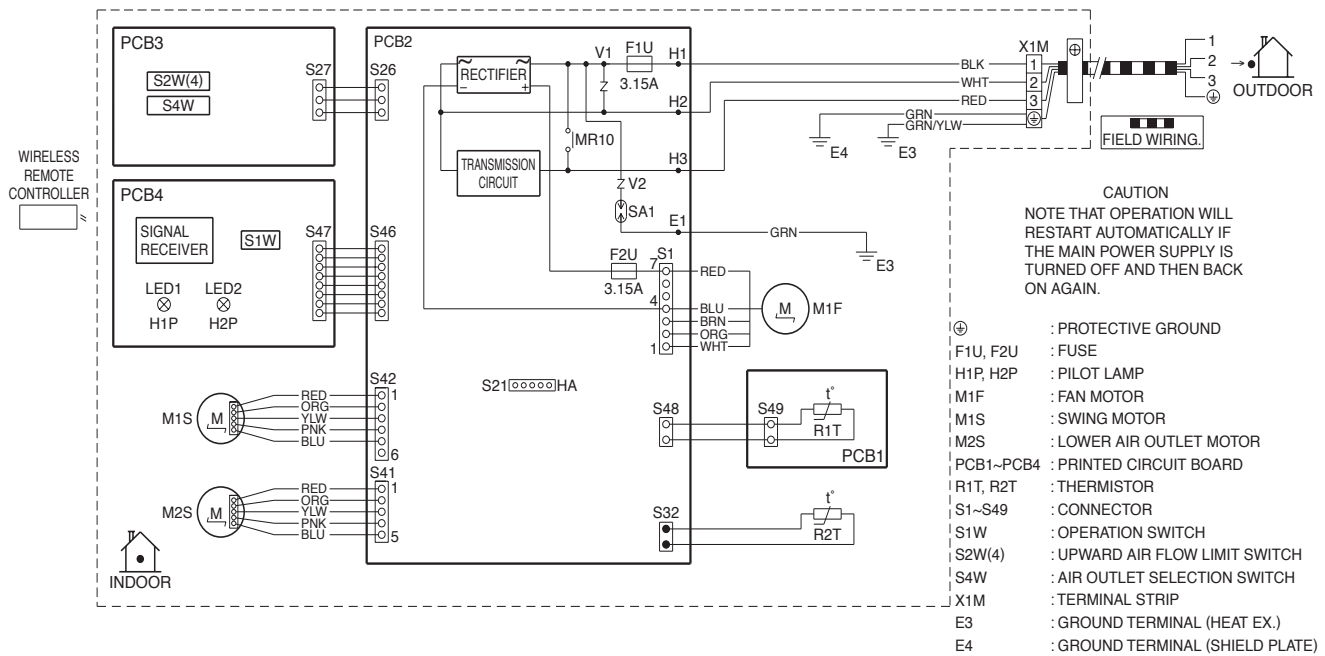


C: 3D073998B

FVXS09NVJU, FVXS12NVJU



FVXS15NVJU, FVXS18NVJU

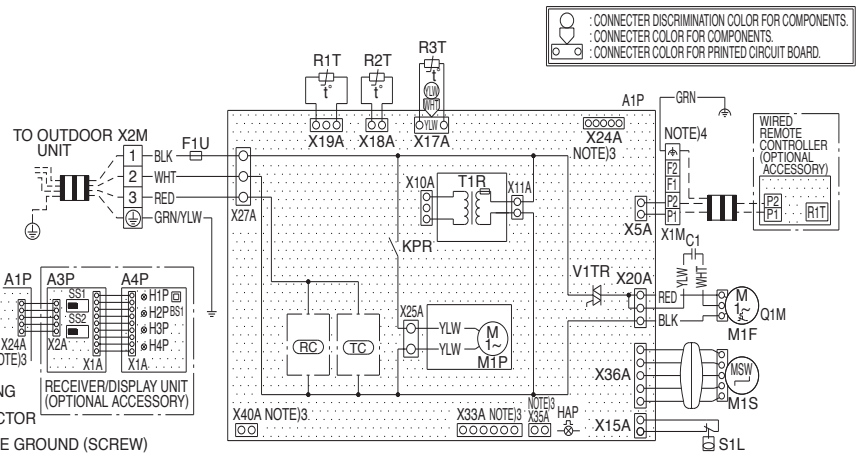
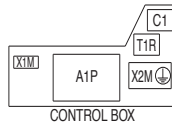


FFQ09LVJU, FFQ12LVJU, FFQ15LVJU, FFQ18LVJU

A1P	PRINTED CIRCUIT BOARD	H1P	PILOT LAMP (ON-RED)
C1	CAPACITOR (M1F)	H2P	PILOT LAMP (TIMER-GREEN)
F1U	FUSE (F, 5A, 250V)	H3P	PILOT LAMP (FILTER SIGN-RED)
HAP	PILOT LAMP (SERVICE MONITOR GREEN)	H4P	PILOT LAMP (DEFROST-ORANGE)
KPR	MAGNETIC RELAY (M1P)	SS1	SELECTOR SWITCH (MAIN/SUB)
M1F	FAN MOTOR	SS2	SELECTOR SWITCH (WIRELESS ADDRESS SET)
M1P	DRAIN PUMP MOTOR	X24A	CONNECTOR (WIRELESS REMOTE CONTROLLER)
M1S	SWING LOUVER MOTOR	X33A	CONNECTOR (ADAPTOR FOR WIRING)
Q1M	THERMAL PROTECTOR FOR MOTOR	X35A	CONNECTOR (GROUP CONTROL ADAPTOR)
R1T	THERMISTOR (AIR)	X40A	CONNECTOR (ON/OFF INPUT FROM OUTSIDE)
R2T	THERMISTOR (COIL-1)		
R3T	THERMISTOR (COIL-2)		
S1L	FLOAT SWITCH		
T1R	TRANSFORMER (208-230V/25V)		
V1TR	TRIAC		
X1M	TERMINAL BLOCK		
X2M	TERMINAL BLOCK		
RC	SIGNAL RECEIVER CIRCUIT		
TC	SIGNAL TRANSMISSION CIRCUIT		
	WIRED REMOTE CONTROLLER		
	WIRED REMOTE CONTROLLER (RECEIVER/DISPLAY UNIT)		
A3P	PRINTED CIRCUIT BOARD		
A4P	PRINTED CIRCUIT BOARD		
BS1	PUSH BUTTON SWITCH (ON/OFF)		

NOTES

1. □ □ □ : TERMINAL  
 = = = : FIELD WIRING  
 □ □ □ : CONNECTOR  
 ⊕ : PROTECTIVE GROUND (SCREW)  
 ⚡ : NOISELESS GROUND
2. IN CASE USING CENTRAL REMOTE CONTROLLER, CONNECT IT TO THE UNIT IN ACCORDANCE WITH THE ATTACHED INSTALLATION MANUAL.
3. X24A, X33A, X35A AND X40A ARE CONNECTED WHEN THE OPTIONAL ACCESSORIES ARE USED.
4. GROUND THE SHIELD OF THE REMOTE CONTROLLER CORD TO THE INDOOR UNIT (IN CASE OF USING SHIELD WIRE).
5. SYMBOLS SHOW AS FOLLOWS: RED: RED BLK: BLACK WHT: WHITE YLW: YELLOW GRN: GREEN BLU: BLUE

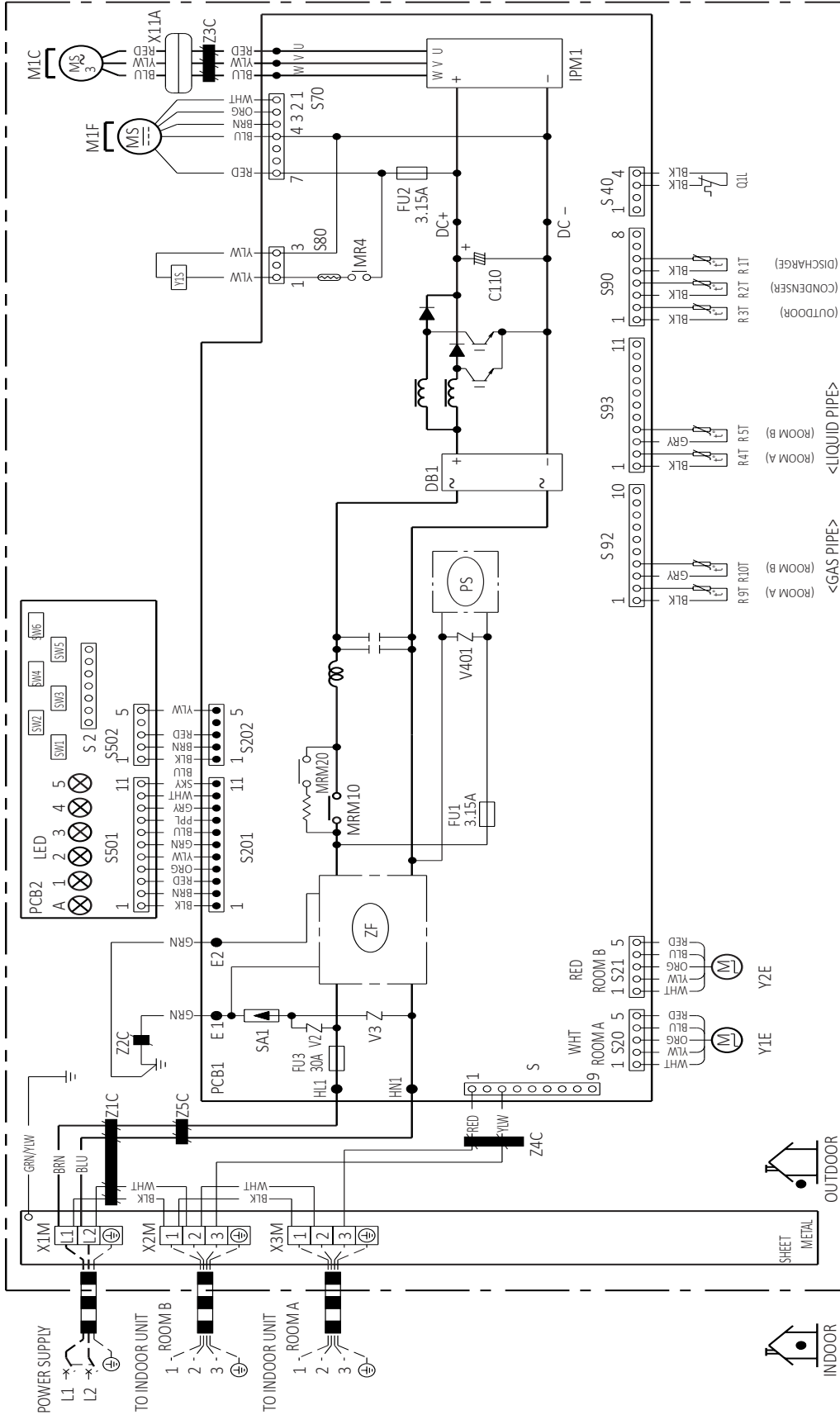


□ □ □ : CONNECTOR DISCRIMINATION COLOR FOR COMPONENTS.  
 □ □ □ : CONNECTOR COLOR FOR COMPONENTS.  
 □ □ □ : CONNECTOR COLOR FOR PRINTED CIRCUIT BOARD.

C: 3D080351A

2MXL18QMVJU

WIRING DIAGRAM



C110	: CAPACITOR	MR4, MRM10, MRM20	: MAGNETIC RELAY	SW1	: FORCED OPERATION ON/OFF SW (SW1)	Y1E, Y2E	: ELECTRONIC EXPANSION VALVE COIL
DB1	: DIODE BRIDGE	PCB1, 2	: PRINTED CIRCUIT BOARD	SW2	: FORCED OPERATION MODE SELECT SW (SW2)	Y1S	: REVERSING SOLENOID VALVE COIL
FU1, FU2, FU3	: FUSE	PS	: SWITCHING POWER SUPPLY	SW3	: WIRING ERROR CHECK SW (SW3)	Z1C~Z5C	: FERRITE CORE
IPM1	: INTELLIGENT POWER MODULE	Q11	: OVERLOAD PROTECTOR	SW4	: PRIORITY ROOM SETTING SW (SW4)	ZF	: NOISE FILTER
L1, L2	: LIVE	R1T~R5T, R9T, R10T	: THERMISTOR	SW5	: FUNCTION SW (SW5)	⊕	: PROTECTIVE GROUND
LED1~LED5, LEDA	: PILOT LAMP	S, S2~S502, X11A	: CONNECTOR	SW6	: NIGHT QUIET MODE SETTING SW (SW6)	⊖	: GROUND
M1C	: COMPRESSOR MOTOR	SA1	: SURGE ARRESTER	V2, V3, V401	: VARISTOR		
M1F	: FAN MOTOR	SHEET METAL	: TERMINAL BLOCK FIXED PLATE	X1M~X3M	: TERMINAL BLOCK		

C 3D100695



	ACCESSORY DESCRIPTION	PART NUMBERS
INDOOR UNIT	Wired navigation remote controller (for FFQ ceiling cassette only)	BRC1E73
	Wired controller (for wall-mount and slim-duct units only) with a 26' cord	BRC944B2-A08
	Decoration panel for FFQ ceiling cassette, ships separately at no charge	BYFQ60B3W1
	Condensate pump with integral float switch	DACA-CP3-1
	Daikin ENVi intelligent thermostat kit (For wall-mount and slim-duct units only)	DACA-TS1-1
OUTDOOR UNIT	Powder-coated wall-mount bracket	DACA-WB-3
	Drain pan heater	KEHO63A4E
	Snow Hoods:	
	Side	KPS063A41
	Back	KPS063A44
	Discharge	KPS063A47