

# PRODUCT INFORMATION PACKET



Model No: DL1026  
Catalog No: DL1026  
1/4 HP Fan & Blower Motor, 1075 RPM, 3 Speed, 115 Volts, 48 Frame, OAO  
Direct Drive Motors



Regal and Century are trademarks of Regal Beloit Corporation or one of its affiliated companies.  
©2020 Regal Beloit Corporation, All Rights Reserved. MC017097E

The REGAL logo is a grey, trapezoidal shape with the word 'REGAL' in white, bold, uppercase letters inside it. It is positioned on the right side of the page, partially overlapping a blue decorative graphic.

REGAL



**Nameplate Specifications**

Output HP	1/4 Hp	Output KW	0.19 kW
Frequency	60 Hz	Voltage	115 V
Current	4.5 A	Speed	1075 rpm
Service Factor	1	Phase	1
Duty	Air Over	Insulation Class	B
Frame	48	Enclosure	Open Enclosed
Thermal Protection	Automatic	Ambient Temperature	40 °C
UL	Recognized	CSA	Y
CE	N		

**Technical Specifications**

Electrical Type	Permanent Split Capacitor	Starting Method	Across The Line
Poles	6	Rotation	Reversible
Mounting	Resilient Rings	Motor Orientation	Horizontal
Drive End Bearing	Sleeve	Opp Drive End Bearing	Sleeve
Frame Material	Rolled Steel	Shaft Type	Flat
Overall Length	9.11 in	Frame Length	3.50 in
Shaft Diameter	0.500 in	Shaft Extension	4.5 in
Outline Drawing	DL1026-S01		

This is an uncontrolled document once printed or downloaded and is subject to change without notice. Date Created:22/09/2020

GENERAL INFORMATION:

SHAFT RUNOUT: .001[.03] T.I.R. PER INCH LENGTH OF EXTENSION

END PLAY: .010 TO .063[.25 TO 1.60]

BEARINGS: SLEEVE

ELECTRICAL DATA:

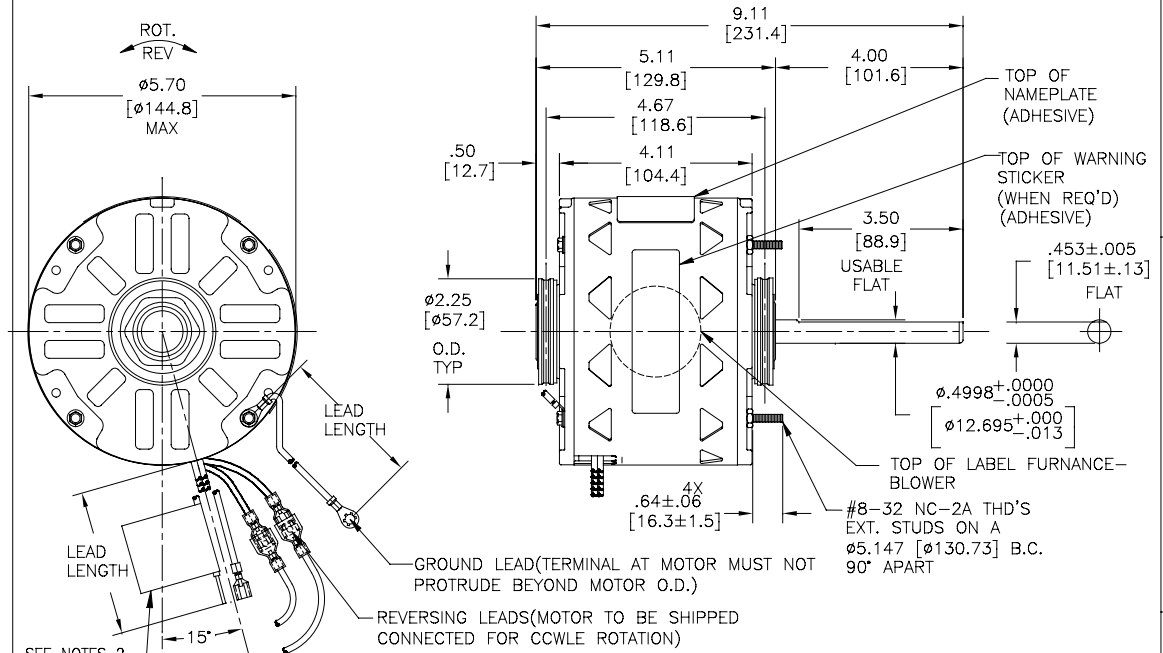
MOUNTING POSITION: HORIZONTAL

OVERLOAD PROTECTOR: AUTOMATIC RESET (SENSATA 7AM 036)

LINE LEADS: NO. 18 GA., .03[.8] THK.,125°C INSUL.

REVERSING LEADS: NO. 18 GA., .03[.8] THK.,CROSS-LINKED POLYETHELENE 125°C INSUL.

GROUND LEADS: NO. 18 GA., .03[.8] THK.,(GREEN)INSUL.



SEE NOTES 2

LEAD DATA		
COLOR	LENGTH	TERMINAL OR STRIP LENGTH
RED	25.0/27.0 [635/686]	.60[15.2] SKIN
BLUE	25.0/27.0 [635/686]	.60[15.2] SKIN
BLACK	25.0/27.0 [635/686]	.60[15.2] SKIN
WHITE	25.0/27.0 [635/686]	.60[15.2] SKIN
BROWN/WHITE	25.0/27.0 [635/686]	.25[6.4] FEMALE SPADE
BROWN	25.0/27.0 [635/686]	.25[6.4] FEMALE SPADE
BROWN (REV)	4.0/6.0 [102/152]	.25[6.4] PER-INSUL. FEMALE SPADE
ORANGE(REV)	4.0/6.0 [102/152]	.25[6.4] PER-INSUL. MALE SPADE
PURPLE(REV)	4.0/6.0 [102/152]	.25[6.4] PER-INSUL. FEMALE SPADE
WHITE (REV)	4.0/6.0 [102/152]	.25[6.4] PER-INSUL. MALE SPADE
GREEN (GRD)	9.0/11.0 [229/279]	10# EYELET

NOTES:

1. SPLIT RING ADAPTOR 53P26-1 OR 615035(4 REQ'D) TO BE PACKED WITH EACH MOTOR.
2. ATTACH WARNING/CONNECTION LABEL TOCOMMON (WHITE) LEAD APPROX. 2.0[51] FROM MOTOR (ADHESIVE)

REGAL-BELOIT CORPORATION (RBC) PROVIDES TECHNICAL ASSISTANCE TO OUR CUSTOMERS IN SEVERAL AREAS. SINCE RBC DOES NOT RECEIVE ALL DATA CONCERNING THE USE AND APPLICATION OF THE MOTOR, THE SUITABILITY OF THE MOTOR FOR THE APPLICATION MUST BE DETERMINED BY THE CUSTOMER.

DIMENSIONS WITHOUT TOLERANCES ARE FOR REFERENCE ONLY.

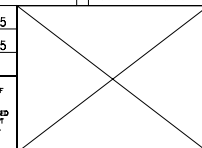
ENCLOSURE		
END FRAME - LE		OPEN
MAIN FRAME - LE		OPEN
END FRAME - OLE		OPEN
MAIN FRAME - OLE		OPEN

CUSTOMER	DISTRIBUTION SERVICES
----------	-----------------------

NAMEPLATE DATA:	EXTERNAL CONNECTION DIAGRAM
MODEL NO.: F48H16A01 CUST. P/N: DL1026 HP: 1/4 ROT.: REVERSIBLE RPM: 1075/3 SPD. TYPE: UF FRAME: 48 VOLTS: 115 PH: 1 AMPS: 4.5 HZ: 60 INS.: B AMB: 40°C DUTY: AIR OVER CAP.: 5 MFD/370 V ENCL: OPEN UL LOGO CSA LOGO THERMALLY PROTECTED	<p>RED — LO</p> <p>BLUE — MED</p> <p>BLACK — HI</p> <p>WHITE — LINE</p> <p>BROWN —</p> <p>BRN/WHT —</p> <p>ROTATION AT LEAD END</p> <p>CW CCW</p> <p>PURPLE BROWN</p> <p>ORANGE ORANGE</p> <p>WHITE WHITE</p> <p>BROWN PURPLE</p>

PERFORMANCE CURVE NO.	TORQUE @ 1075 RPM (25°C)	APPROVED SAMPLE	UL COMPONENT		CSA	
			FILE #	CCN #	FILE #	CLASS #
C31378	27.1 OZ. FT.	96AC228A	E46412	PRGY2	LR43341	4211-01

DRAWING REVISION BY: J.ZHU	DATE: 09-13-2015
ECO: 0084773	APPROVED BY: C.ZHANG
ECO DESCRIPTION: SEE ECO	DATE: 09-13-2015



DRAWN BY: HEATH	DATE: 09-09-1996	DESCRIPTION: MODEL-RFHP-48FR OUTLINE
APPROVED BY: TRP	DATE: 07-11-1996	MATERIAL: -
PROCESS/FINISH: -	THIRD ANGLE PROJECTION	SIZE DWG NO: C
		DL1026
		SHEET 1