

PRODUCT INFORMATION PACKET



Model No: DB6407

Catalog No: DB6407

/10-1/15-1/20-1/25 HP Fan Coil / Room Air Conditioner Motor, 1050 RPM, 4 Speed, 208-230 Volts, 42 Frame, OAO
Fan Coil / Room Air Conditioner Motors



Regal and Century are trademarks of Regal Beloit Corporation or one of its affiliated companies.
©2020 Regal Beloit Corporation, All Rights Reserved. MC017097E

The REGAL logo is a grey rectangular box with the word 'REGAL' in white, slanted capital letters. It is positioned on a blue and black halftone background that runs vertically down the right side of the page.

REGAL



Nameplate Specifications

Output HP	1/10,1/15,1/20,1/25 Hp	Output KW	0.07 kW
Frequency	60 Hz	Voltage	208-230 V
Current	1.6,0.9,0.8,0.7 A	Speed	1050 rpm
Service Factor	1	Phase	1
Duty	Air Over	Insulation Class	A
Frame	42Y	Enclosure	Open Air Over
Thermal Protection	Automatic	Ambient Temperature	40 °C
UL	Recognized	CSA	Y
CE	N		

Technical Specifications

Electrical Type	Shaded Pole	Starting Method	Across The Line
Poles	6	Rotation	Counterclockwise Lead End
Mounting	Resilient Base	Motor Orientation	Horizontal
Drive End Bearing	Sleeve	Opp Drive End Bearing	Sleeve
Frame Material	Rolled Steel	Shaft Type	Flat
Overall Length	22.00 in	Shaft Diameter	0.500 in
Shaft Extension	9.3 X.5 X9.3 in		
Connection Drawing	263B929F03	Outline Drawing	11927-027-S01

This is an uncontrolled document once printed or downloaded and is subject to change without notice. Date Created:06/11/2020

REV	ECO	REV BY	DATE	APPO	DATE
E	0026394	H.ZHOU	05-29-2012	B.SHEN	05-29-2012

GENERAL INFORMATION:

SHAFT RUNOUT: .001 [.03] T.I.R. PER INCH LENGTH OF EXTENSION

END PLAY: .010 TO .063 [.25 TO 1.60]

BEARINGS: SLEEVE

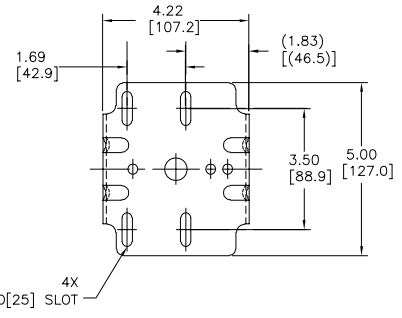
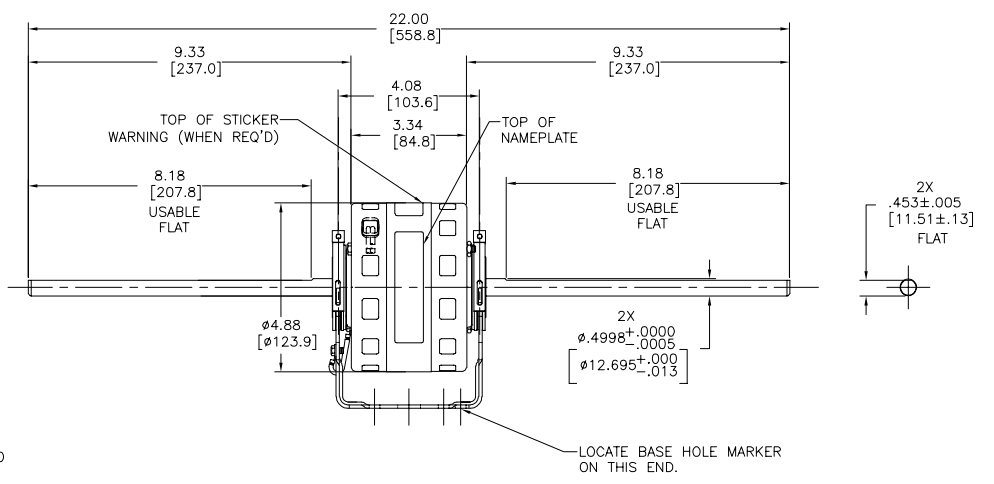
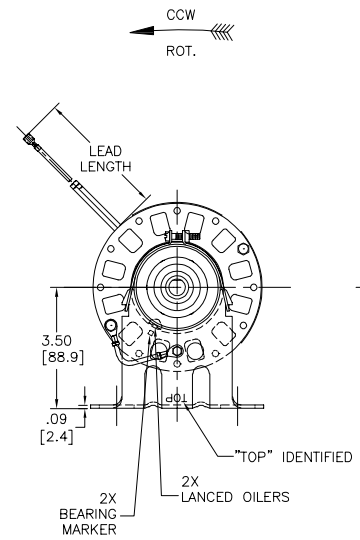
MOUNTING POSITION: HORIZONTAL

ELECTRICAL DATA:

OVERLOAD PROTECTOR: AUTOMATIC RESET (T.I. 7AM 034)

LEADS: NO. 18 GA., .03 [.8] THK. 125°C INSUL.

GROUND LEAD: NO. 18 GA., .03 [.8] THK. GREEN INSUL.



NOTE:
1. DISTRIBUTION PART NUMBER: DB6407
GRAINGER PART NUMBER: 3M747

NAMEPLATE DATA:	EXTERNAL CONNECTION DIAGRAM
MODEL NO.: 322P073 CUST. P/N: HP: 1/10, 1/15, 1/20, 1/25 RPM: 1050 TYPE: FE FRAME: 42Y VOLTS: 208-230 PH: 1 AMPS: 1.6, 0.9, 0.8, 0.7 HZ: 60 INS.: A AMB.: 40 °C DUTY: AIR OVER CAP.: UL & CSA LOGO THERMALLY PROTECTED TYPE C	

RED	CONNECTED TO BASE	#8 EYELET
BLUE	38.5/41.5 [978/1054]	.25[6.4] FEMALE SPADE
YELLOW	38.5/41.5 [978/1054]	.25[6.4] FEMALE SPADE
BLACK	38.5/41.5 [978/1054]	.25[6.4] FEMALE SPADE
PURPLE	38.5/41.5 [978/1054]	.25[6.4] FEMALE SPADE
COLOR	LENGTH	TERMINAL OR STRIP LENGTH

MAIN FRAME - OLE	OPEN
END FRAME - OLE	OPEN
MAIN FRAME - LE	OPEN
END FRAME - LE	OPEN

PERFORMANCE CURVE NO.	TORQUE @ 1050 RPM (50°C)	APPROVED SAMPLE	UL COMPONENT	CSA	
668467	5.0 OZ. FT.	PSA 7011	E46412 PRGY2	LR43341	260-ø-0

LEAD DATA

GEOMETRIC CHARACTERISTICS & SYMBOLS
 □ FLATNESS
 — STRAIGHTNESS
 ∠ ANGULARITY
 ⊥ PERPENDICULARITY (SQUARENESS)
 ∥ PARALLELISM
 ○ ROUNDNESS (CIRCULARITY)
 ⊘ CYLINDRICITY
 △ PROFILE OF ANY SURFACE
 ~ PROFILE OF ANY LINE
 ↑ RUNOUT
 * TRUE POSITION
 ⊙ CONCENTRICITY
 ≡ SYMMETRY
 ASME Y14.5M 1994

UNLESS OTHERWISE SPECIFIED
 DIM. TOLERANCES ARE AS FOLLOWS:
 INCH ±.1 ±.02 ±.005 ±.0005
 mm ±0.5 ±0.13 ±0.013
 ANG. ±50 DEG
 REMOVE BURRS & BREAK SHARP EDGES:
 INCH .003-.015 mm 0.1-0.4
 CORNER FILLETS TO:
 INCH .020 mm 0.5
 MACHINE SURFACES:
 INCH 125 mm 32

DR BY: J. RUPERT
 APP'D: W. HEAL
 02-26-1996
 03-01-1996
 THRD ANGLE PROJECTION
 EDS DATE 11-11-2011
 FORMAT REV H

CUSTOMER DISTRIBUTION SERVICES

REGAL-BELOIT CORPORATION

DESCRIPTION: **OUTLINE**

SIZE: D DWG NO: 11927-027

SCALE: NONE SHEET: 1

REVISION:	ECO	REVISADO POR:	H.ZHOU	FECHA:	05-29-2012	APROBADO POR:	B.SHEN	FECHA:	05-29-2012
E	0026394								

INFORMACION GENERAL:

OSCILACION DE FLECHA: .001 [.03] L.T.I. POR LONGITUD DE EXTENSION

JUEGO AXIAL: .010 A .063 [.25 A 1.60]

BALEROS: MANGA

POSICION DEL MONTAJE: HORIZONTAL

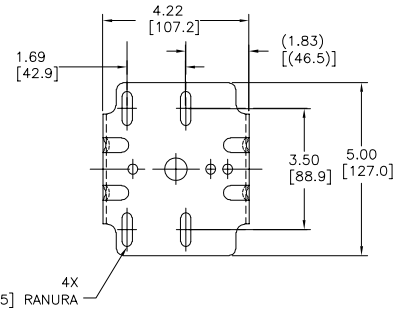
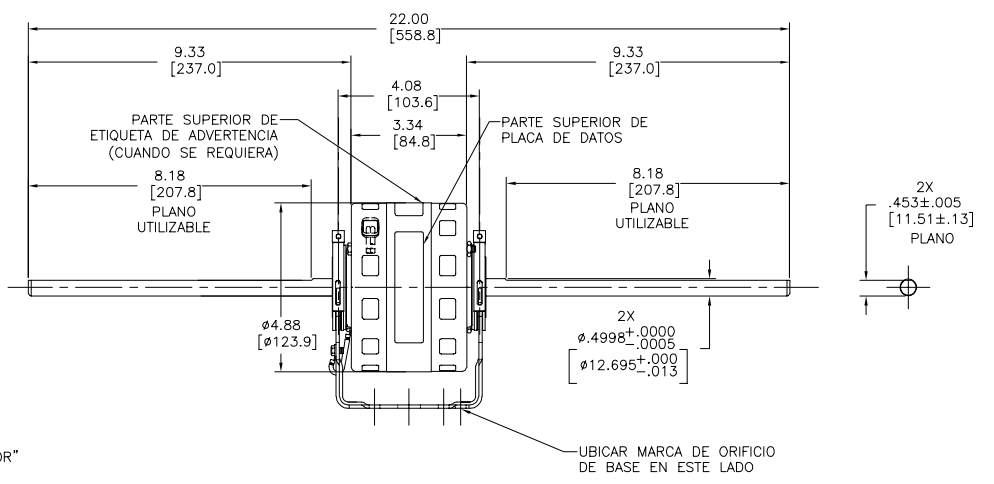
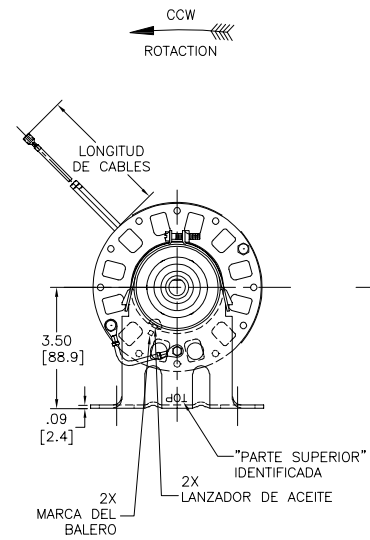
INFORMACION ELECTRICA:

SOBRECARGA DEL PROTECTOR: REINICIO AUTOMATICO (T.I. 7AM 034)

CABLES: CALIBRE 18 AISLANTE .03[.8] GROSOR 125°C.

CABLE DE TIERRA: CALIBRE 18 AISLANTE .03[.8] GROSOR VERDE.

NOTA:
1. NUMERO DE PARTE DE DISTRIBUCION: DB6407
NUMERO DE PARTE GRAINGER: 3M747



VER NOTA 1

INFORMACION DE PLACA DE DATOS	DIAGRAMA DE CONEXION EXTERNA
MODEL NO.: 322P073 CUST. P/N: HP: 1/10, 1/15, 1/20, 1/25 ROT.: CCWLE RPM: 1050 TYPE: FE FRAME: 42Y VOLTS: 208-230 PH: 1 AMPS: 1.6, 0.9, 0.8, 0.7 HZ: 60 INS.: A AMB.: 40 °C DUTY: AIR OVER CAP.: UL & CSA LOGO THERMALLY PROTECTED TYPE C	

COLOR	CONECTADO A LA BASE	OJAL #8
AZUL	38.5/41.5 [978/1054]	.25[6.4] TERMINAL HEMBRA
AMARILLO	38.5/41.5 [978/1054]	.25[6.4] TERMINAL HEMBRA
NEGRO	38.5/41.5 [978/1054]	.25[6.4] TERMINAL HEMBRA
MORADO	38.5/41.5 [978/1054]	.25[6.4] TERMINAL HEMBRA
COLOR	LONGITUD	TERMINAL O LONGITUD DE DESFORRE

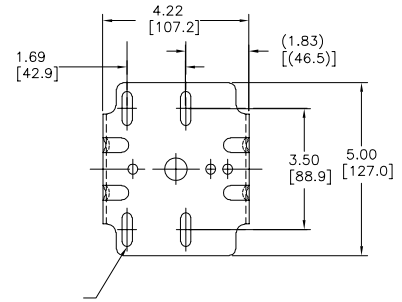
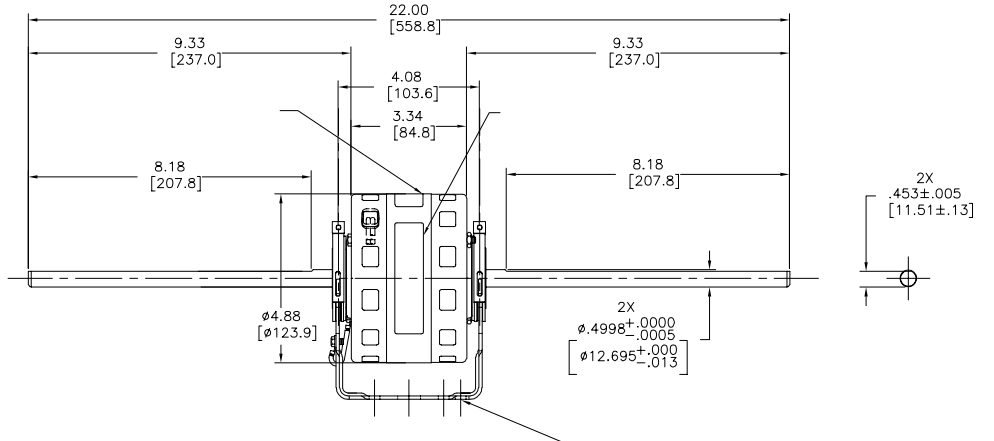
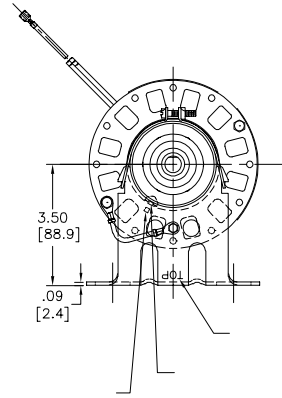
CARCAZA - OLE	ABIERTO
TAPA FINAL - OLE	ABIERTO
CARCAZA - LE	ABIERTO
TAPA FINAL - LE	ABIERTO

CURVA DE DESEMPEÑO	TORSION @1050 RPM (50°C)	MUESTRA APROBADA	COMPONENTE UL	CSA
668467	5.0 OZ. FT.	PSA 7011	E46412 PRGY2	LR43341 260-ø-0

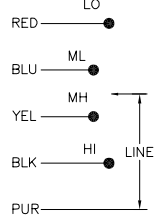
INFORMACION DE CABLES

CARACTERISTICAS DE GEOMETRIA Y SIMBOLOS: □ PLANICIDAD ⊥ RECTITUD ∠ ANGULARIDAD ⊥ PERPENDICULARIDAD (A ESQUADRA) ∩ PARALELISMO ○ REDONDEZ (CIRCULARIDAD) ∅ CILINDRICIDAD ∆ PERFIL DE CUALQUIER SUPERFICIE ∩ PERFIL DE CUALQUIER LINEA ∇ VARIACION * POSICION REAL ⊙ CONCENTRICIDAD ± SIMETRIA	MENOS QUE SE ESPECIFIQUE DE OTRA MANERA, LAS TOLERANCIAS DE LAS DIMS. SON LAS SIGUIENTES: PULG ±.1 ±.02 ±.005 ±.0005 mm ±.02 ±.013 ±.013 ±.013 ANG. ±.0 GRADOS ELIMINAR REBASAS Y ORILLAS FILOSAS DEL BORDE. PULG .003-.015 mm 0.1-0.4 FILETEAR ESQUINA: PULO .020 mm 0.5 MAQUINAR SUPERFICIES PULG 1/32 mm 3/32 DIMS METRICAS MOSTRADAS (PARENTESIS)	DIBUJADO POR: J. RUPERT APROBADO POR: W. HEAL TERCER ANGULO DE PROYECCION: FECHA EDS: 11-11-2011 REV. FORMATO: H	02-26-1996 03-01-1996	DESCRIPCION: REGAL-BELOIT CORPORATION OUTLINE	CLIENTE: DISTRIBUTION SERVICES
CONFIDENCIAL: ESTE DIBUJO Y SU INFORMACION SON PROPIEDAD DE USO EXCLUSIVO Y CONFIDENCIAL DE REGAL-BELOIT CORPORATION, Y NO DEBERAN SER REVELADOS, DUPLICADOS, DISTRIBUIDOS O USARSE DE OTRA MANERA SIN EL CONSENTIMIENTO ESCRITO DE REGAL-BELOIT CORPORATION. TODOS LOS DERECHOS RESERVADOS.				TAMANO: D NUMERO DE DIBUJO: 11927-027 ESCALA: NONE	HOJA: 1

版本	ECO	编制	日期	批准	日期
E	0026394	H.ZHOU	05-29-2012	B.SHEN	05-29-2012



MODEL NO.: 322P073
 CUST. P/N:
 HP: 1/10, 1/15, 1/20, 1/25
 ROT.: CCWLE
 RPM: 1050
 TYPE: FE
 FRAME: 42Y
 VOLTS: 208-230
 PH: 1
 AMPS: 1.6, 0.9, 0.8, 0.7
 HZ: 60
 INS.: A
 AMB.: 40 °C
 DUTY: AIR OVER
 CAP.:
 UL & CSA LOGO
 THERMALLY PROTECTED
 TYPE C



	38.5/41.5 [978/1054]	
	38.5/41.5 [978/1054]	
	38.5/41.5 [978/1054]	
	38.5/41.5 [978/1054]	
COLOR		

668467	5.0 OZ. FT.	PSA 7011	E46412	PRGY2	LR43341	260-ø-0
--------	-------------	----------	--------	-------	---------	---------

DISTRIBUTION SERVICES

- 形状公差
- 平面度
- 垂直度
- 平行度
- 倾斜度
- 圆度
- 圆柱度
- 圆跳动
- 位置度
- 同轴度
- 对称度

ASME Y14.5M 1994

除非有注明
 尺寸公差如下:
 英寸 ±.1 ±.02 ±.005 ±.0005
 毫米 ±0.5 ±0.13 ±0.015
 角度 ±.50 度
 除非另有标注
 英寸 0.005 毫米 0.1±0.4
 内圆角
 除非标注
 表面粗糙度
 除非标注
 材料
 除非标注

设计: J. RUPERT
 日期: 02-26-1996
 批准: W. HEAL
 日期: 03-01-1996
 第三角投影
 图例格式版本 H
 机密: 本图纸及相关信息所有权利归REGAL-BELOIT CORPORATION.
 未经REGAL-BELOIT CORPORATION书面授权, 不得泄露、
 复制、传播或作其他用途。一切权利所有

REGAL-BELOIT CORPORATION

名称: OUTLINE
 图号: 11927-027
 比例: NONE
 张号: 1