

# PRODUCT INFORMATION PACKET

FASCO®

Model No: D920  
Catalog No: D920  
1/2 HP Condenser Fan Motor, 825 RPM, 460 Volts, 48 Frame, OAO  
Condenser Fans Motors



Regal and Fasco are trademarks of Regal Beloit Corporation or one of its affiliated companies.  
©2020 Regal Beloit Corporation, All Rights Reserved. MC017097E

REGAL



**Nameplate Specifications**

Output HP	1/2 Hp	Output KW	0.37 kW
Frequency	60 Hz	Voltage	460 V
Current	2.10 A	Speed	825 rpm
Service Factor	1	Phase	1
Duty	Continuous Air Over	Insulation Class	B
Frame	48	Enclosure	Open Air Over
Thermal Protection	Thermally Protected	Ambient Temperature	60 °C
UL	Recognized	CSA	Y
CE	N		

**Technical Specifications**

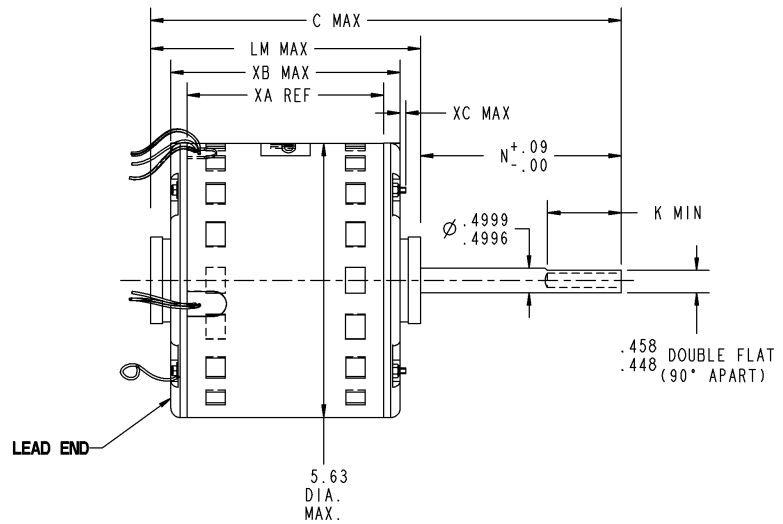
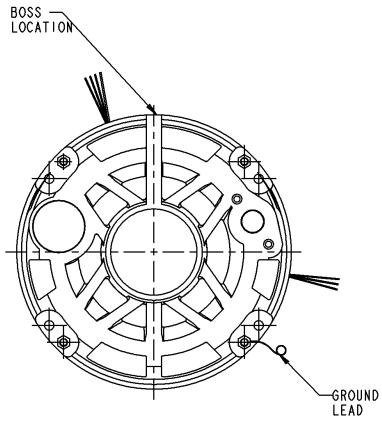
Electrical Type	Permanent Split Capacitor	Poles	8
Rotation	Reversible	Mounting	Round
Motor Orientation	Any	Drive End Bearing	Sleeve
Opp Drive End Bearing	Sleeve	Frame Material	Rolled Steel
Shaft Type	Double Flat	Overall Length	10.13 in
Frame Length	4.57 in	Shaft Diameter	0.500 in
Shaft Extension	4.00 in	Thru-bolts Extension	N/R in
Outline Drawing	5KCP39NFAE20S	Connection Drawing	NP24X327691

This is an uncontrolled document once printed or downloaded and is subject to change without notice. Date Created:06/11/2020

NAME: 100006680 OBJECT: 5KCP39NFAE20S DATE: 17-Feb-09 12:24:56

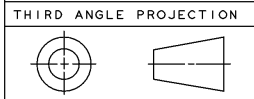
SIZE DRAWING NO. **B** **5KCP39NFAE20S** REV **1** SHEET **1**

VENTILATION SYSTEM		RBC PROPRIETARY AND CONFIDENTIAL INFORMATION This document is the property of REGAL BELOIT CORPORATION ("RBC") including its subsidiaries and divisions and contains proprietary information of RBC. This document is loaned on the express condition that neither it nor the information contained therein shall be disclosed to others without the express written consent of RBC, and that the information shall be used by the recipient only as approved expressly by RBC. This document shall be returned to RBC upon its request. This document may be subject to certain restrictions under U.S. export control laws and regulations.	REVISIONS			
SHELL VENTS	OPEN		REV.	DESCRIPTION	DATE	APPROVED
ENDSHIELD (OPP. LEAD END)	OPEN		1	REL TO IDS	02/17/09	AVL
ENDSHIELD (LEAD END)	OPEN	2	REV REV LD MAT'L & STOCK NO	5/18/09	GFS	



NOTE:  
1. DIMENSIONS SHOWN ARE NOMINAL UNLESS OTHERWISE SPECIFIED.

							.14	N/A
							XC	XD
10.13	4.00	3.50	N/A	N/A	6.06	4.57	5.23	
C	N	K	XN	XK	LM	XA	XB	



S/N	CONNECTION	COLOR	EXIT TYPE	EXIT LOC (OVERS/LB)	GAGE	MATERIAL	WALL THK	LENGTH	TERMINATION
1	COMMON LEAD	WHITE	SHELL NOTCH	3:20	18	THERMOPLASTIC	4/64	27.00	.50 BWS
2	REV LEAD	YELLOW	SHELL NOTCH	11:20	18	EPDM	2/64	3.00	.25 MALE ISQC
3	CAPACITOR LEAD	BROWN	SHELL NOTCH	3:20	18	THERMOPLASTIC	4/64	27.00	.25 FQC
4	REV LEAD	ORANGE	SHELL NOTCH	11:20	18	EPDM	2/64	3.00	.25 MALE ISQC
5	CAPACITOR LEAD	BRN/WHT	SHELL NOTCH	3:20	18	THERMOPLASTIC	4/64	27.00	.25 FQC
6	REV LEAD	BROWN	SHELL NOTCH	11:20	18	EPDM	2/64	3.00	.25 FISQC LO INS FORCE
7	HIGH SPEED LEAD	BLACK	SHELL NOTCH	3:20	18	THERMOPLASTIC	4/64	27.00	.50 BWS
8	REV LEAD	PURPLE	SHELL NOTCH	11:20	18	EPDM	2/64	3.00	.25 FISQC LO INS FORCE
9	GROUND	GRN-YEL	CLAMPSCREW	4:30	18	THERMOPLASTIC	2/64	12.00	#10 SERR EYELET

NAMEPLATE DATA	
MODEL	5KCP39NFAE20S
CUST P/N	MODEL D920
HP	1/2
RPM	825
VOLTS	460
HZ	60
* SPEEDS	1
AMPS	2.10
CAP REQD-1	15.00µfd/370Volts
CAP REQD-2	N/R
CONN DRW#	NP24X327691
ROTATION	CCW/CW (VIEWED FROM LEAD END)

**REGAL BELOIT** REGAL-BELOIT CORPORATION FORTWAYNE, INDIANA

TITLE **MOTOR OUTLINE**  
( CUSTOMER NAME : FASCO )

SIZE DRAWING **B** **5KCP39NFAE20S** REV **1**

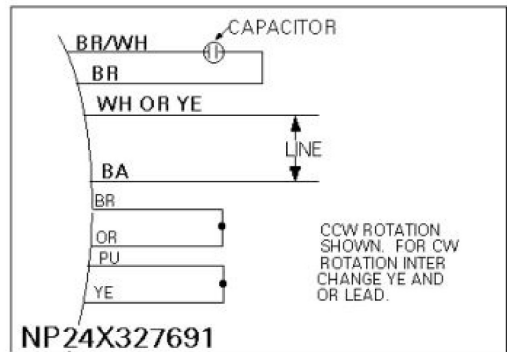
SCALE: NO ISSUED: 2/17/09 SHEET 1 of 1

CONFIDENTIAL AND PROPRIETARY

This document is the property of General Electric Company and contains proprietary and confidential information of the Motor Business Group (MBG). The document is signed in the express conditions that neither it nor the information contained herein shall be disclosed to others without the express consent of MBG and that the information shall be used by the recipient only, as approved expressly by MBG. Also, the document shall be returned to MBG upon its request.

REVISIONS	
REV	DESCRIPTION
1	CAS 9/29/00 ELEC FORMAT

Uncontrolled Copy



GENERAL ELECTRIC  
 MOTOR BUSINESS GROUP FORT WAYNE, INDIANA

FILE:	DPC #	NP 24X327691	ISSUED	SCALE
			CAS 4/29/94	4:0