

# PRODUCT INFORMATION PACKET

FASCO®

Model No: D913  
Catalog No: D913  
1/4 HP Condenser Fan Motor, 1075 RPM, 460 Volts, 48 Frame, Semi Enclosed  
Condenser Fans Motors



Regal and Fasco are trademarks of Regal Beloit Corporation or one of its affiliated companies.  
©2019 Regal Beloit Corporation, All Rights Reserved. MC017097E

REGAL



**Nameplate Specifications**

Output HP	1/4 Hp	Output KW	0.19 kW
Frequency	60 Hz	Voltage	460 V
Current	1.00 A	Speed	1075 rpm
Service Factor	1	Phase	1
Duty	Continuous Air Over	Insulation Class	B
Frame	48	Enclosure	Open Air Over
Thermal Protection	Thermally Protected	Ambient Temperature	60 °C
UL	Recognized	CSA	Y
CE	Y		

**Technical Specifications**

Electrical Type	Permanent Split Capacitor	Poles	6
Rotation	Reversible	Mounting	Extended Studs
Motor Orientation	Any	Drive End Bearing	Ball
Opp Drive End Bearing	Ball	Frame Material	Rolled Steel
Shaft Type	Double Flat	Overall Length	11.34 in
Frame Length	3.82 in	Shaft Diameter	0.500 in
Shaft Extension	5.90 in	Thru-bolts Extension	1 in

This is an uncontrolled document once printed or downloaded and is subject to change without notice. Date Created:29/10/2019

4

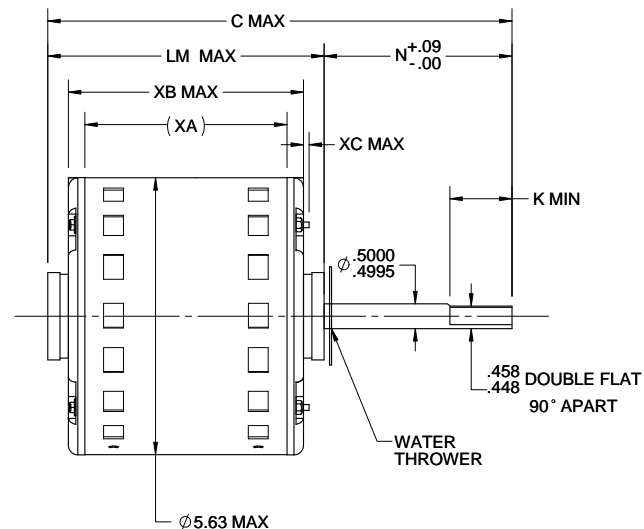
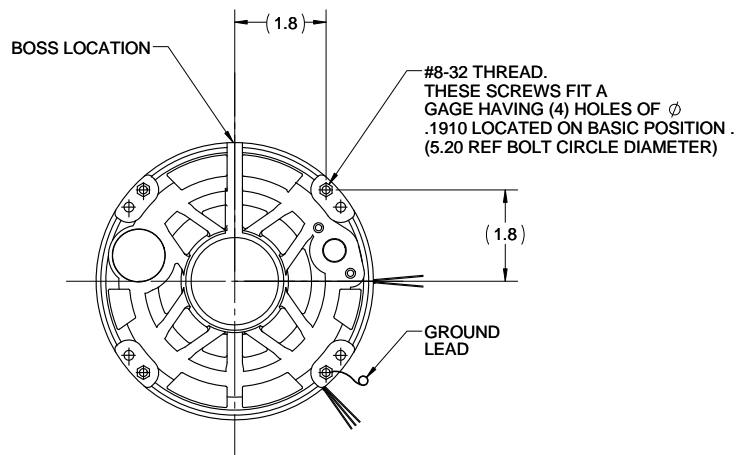
3

Uncontrolled Copy

2

1

S.NO	CONNECTION	COLOR	EXIT TYPE	EXIT LOC (VIEWING LE)	GAGE	MATERIAL	WALL THK.	LENGTH	TERMINATION	NAMEPLATE DATA	
1	COMMON LEAD	WHITE	SHELL NOTCH	3:00	18	THERMOPLASTIC	4/64	27.00	.50 BWS	MODEL	5KCP39FGWD70S
2	CAPACITOR LEAD	BRN/WHT	SHELL NOTCH	5:00	18	THERMOPLASTIC	4/64	27.00	.25 FQC	CUST. P/N	D913
3	CAPACITOR LEAD	BROWN	SHELL NOTCH	5:00	18	THERMOPLASTIC	4/64	27.00	.25 FQC	HP	1/4
4	HIGH SPEED LEAD	BLACK	SHELL NOTCH	3:00	18	THERMOPLASTIC	4/64	27.00	.50 BWS	RPM	1075
5	REV LEAD	PURPLE	SHELL NOTCH	5:00	18	THERMOPLASTIC	2/64	5.50	.25 ISQC LO INS FORCE	VOLTS	460
6	REV LEAD	BROWN	SHELL NOTCH	5:00	18	THERMOPLASTIC	2/64	5.50	.25 ISQC LO INS FORCE	HZ	60/50
7	REV LEAD	ORANGE	SHELL NOTCH	5:00	18	THERMOPLASTIC	2/64	5.50	.25 MALE ISQC	SPEEDS	1
8	REV LEAD	YELLOW	SHELL NOTCH	5:00	18	THERMOPLASTIC	2/64	5.50	.25 MALE ISQC	AMPS	1.0
9	GROUND LEAD	GRN-YEL	CLAMPSCREW	4:30	18	THERMOPLASTIC	2/64	12.50	#10 EYELET	CAP. REQ'D-D1	5.0 µfd/370 Volts
										CAP. REQ'D-D2	N/R
										CONN.DRW#	NP24X350357
										ROTATION	CCW/CW (VIEWED FROM LE)



NOTE:

- 1) DIMENSIONS SHOWN ARE NOMINAL UNLESS OTHERWISE SPECIFIED.
- 2) NAME PLATE LABEL LOCATION : 360° - CENTER - READ FROM LE.

				1.00	-
				XC	XD
11.34	5.90	5.37	5.31	3.82	4.48
C	N	K	LM	XA	XB

VENTILATION SYSTEM	
SHELL VENTS	DRIP PROOF
ENDSHIELD (OPP. LEAD END)	CLOSED
ENDSHIELD (LEAD END)	OPEN

DRAWING REVISION D	REVISION BY J. RUPERT	DATE 10-27-2016
ECO ECO-0111878	APPROVED BY J. RUPERT	DATE 10-27-2016
ECO DESCRIPTION CHANGED REVERSING LEADS & CONN. DIAGRAM		
<small>COPYRIGHT REGAL BELOIT AMERICA, INC. ALL RIGHTS RESERVED.          PROPRIETARY AND CONFIDENTIAL INFORMATION - THIS DOCUMENT IS THE PROPERTY OF          REGAL BELOIT AMERICA, INC. (OWNER) AND CONTAINS OWNER'S PROPRIETARY          INFORMATION. ANY PERSON, CORPORATION OR OTHER FIRM RECEIVING IT IS DEEMED,          BY RECEIVING IT, TO AGREE THAT IT, AND/OR ANY PART OF IT, SHALL NOT BE DISCLOSED          TO ANY PERSON, CORPORATION OR OTHER ENTITY, DUPLICATED, AND/OR USED, EXCEPT          AS EXPRESSLY APPROVED IN WRITING IN ADVANCE BY OWNER. THIS DOCUMENT SHALL          BE RETURNED TO OWNER UPON REQUEST. IT MAY BE SUBJECT TO CERTAIN          RESTRICTIONS UNDER APPLICABLE EXPORT CONTROL LAWS AND REGULATIONS.</small>		

TOLERANCES UNLESS OTHERWISE SPECIFIED:		
DEC.	INCH	mm
.X	+0.1	[+2.5]
.XX	+0.03	[+0.76]
.XXX	+0.005	[+0.127]
.XXXX	+0.0005	[+0.0127]
REMOVE BURRS & BREAK SHARP		
EDGES: .003/.015 [.076/.381]		
CORNER FILLETS: .02 [.51]		
MACHINED SURFACES: 200		
mm SHOWN IN [BRACKETS]		

DRAWN BY MVG
DATE 07/08/2014
APPROVED BY BN
DATE 07/08/2014
REFERENCE
THIRD ANGLE PROJECTION

Regal Beloit America, Inc.	
DESCRIPTION <b>OUTLINE</b> (CUST. NAME: FASCO IND)	
MATERIAL	PROCESS/FINISH
SIZE B	DRAWING NUMBER 5KCP39FGWD70S
	SHEET 1 OF 1

4

3

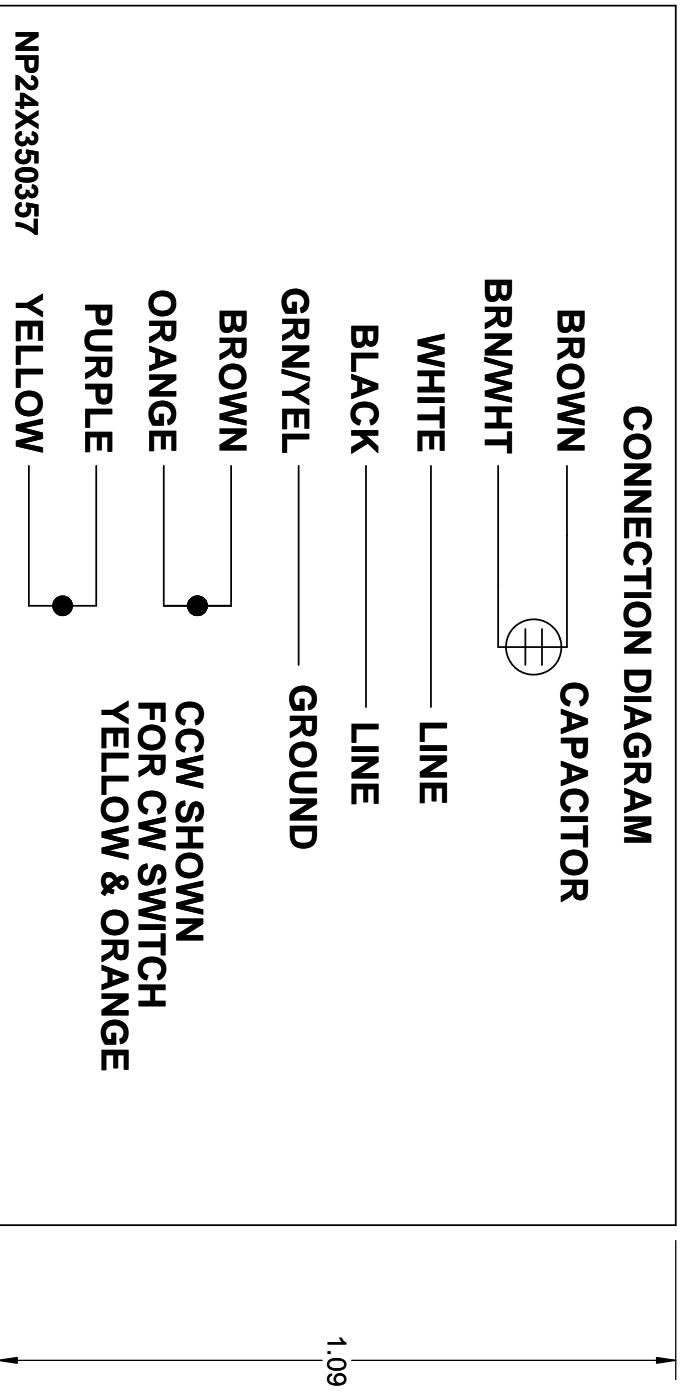
2

1

COPYRIGHT REGAL BELOIT AMERICA, INC. ALL RIGHTS RESERVED. **Unapproved Copy**  
 PROPRIETARY AND CONFIDENTIAL INFORMATION - THIS DOCUMENT IS THE PROPERTY OF  
 REGAL BELOIT AMERICA, INC. (OWNER) AND CONTAINS OWNER'S PROPRIETARY  
 INFORMATION. ANY PERSON, CORPORATION OR OTHER FIRM RECEIVING IT IS DEEMED  
 BY RECEIVING IT TO AGREE THAT IT AND/OR ANY PART OF IT SHALL NOT BE DISCLOSED  
 TO ANY PERSON, CORPORATION OR OTHER ENTITY, DUPLICATED AND/OR USED, EXCEPT  
 AS EXPRESSLY APPROVED IN WRITING IN ADVANCE BY OWNER. THIS DOCUMENT SHALL  
 BE RETURNED TO OWNER UPON REQUEST. IT MAY BE SUBJECT TO CERTAIN  
 RESTRICTIONS UNDER APPLICABLE EXPORT CONTROL LAWS AND REGULATIONS.


DRAWING REVISION	REVISION BY	DATE
A	J. Rupert	10-26-2016
ECO-0111879	APPROVED BY J. Rupert	DATE 10-26-2016
ECO DESCRIPTION NEW CONNECTION DRAWING		

1.40 MAX.



**NOTES:**

1. TYPE FACE: COLORS OR NUMBERS DENOTING LEAD IDENTIFICATION AND N.P. NUMBER ARE TO BE 18 POINT NEWS GOTHIC CONDENSED. OTHER INFORMATION SHOULD BE 18 POINT IF SPACE ALLOWS, OTHERWISE USE 14 POINT.
2. MATERIALS: 4 MIL WHITE VINYL ADHESIVE STOCK RBC SPEC A50FG41-S1 BLACK INK RBC SPEC A50FM48
3. THE BOX LINES AND DIMENSIONS REPRESENT THE SIZE OF THE TAPE TO BE USED. DO NOT INCLUDE THESE IN STAMP FORMAT.

DRAWN BY J. Rupert		 <b>Regal Beloit America, Inc.</b>	
DATE 10-26-2016	APPROVED BY J. Rupert		
DATE 10-26-2016	PROCESS/FINISH	DESCRIPTION <b>CONNECTION DIAGRAM</b>	
THIRD ANGLE PROJECTION	SIZE A	DRAWING NUMBER NP24X350357	SEE NOTE - 2
		SHEET 1 OF 1	