

# PRODUCT INFORMATION PACKET

FASCO®

Model No: D847  
Catalog No: D847  
1/8 HP OEM Replacement Motor, 1125 RPM, 208/230 Volts, 48 Frame, TEAO  
HVAC/R OEM Replacement Motors



Regal and Fasco are trademarks of Regal Beloit Corporation or one of its affiliated companies.  
©2020 Regal Beloit Corporation, All Rights Reserved. MC017097E

REGAL



**Nameplate Specifications**

Output HP	1/8 Hp	Output KW	0.10 kW
Frequency	60 Hz	Voltage	208-230 V
Current	0.63 A	Speed	1125 rpm
Service Factor	1	Phase	1
Duty	Continuous	Insulation Class	B
Frame	48	Enclosure	Totally Enclosed Air Over
Thermal Protection	Automatic	Ambient Temperature	40 °C
UL	Recognized	CSA	Y
CE	N		

**Technical Specifications**

Electrical Type	Permanent Split Capacitor	Starting Method	Across The Line
Poles	6	Rotation	Counterclockwise Shaft End
Mounting	Extended Studs	Drive End Bearing	Sleeve
Opp Drive End Bearing	Sleeve	Frame Material	Rolled Steel
Shaft Type	Flat	Frame Length	3.78 in
Shaft Diameter	0.500 in	Shaft Extension	3.46 in
Outline Drawing	8856JTS-A11U		

This is an uncontrolled document once printed or downloaded and is subject to change without notice. Date Created:22/09/2020

### MOTOR SPECIFICATION

## 8856JTS-A11U

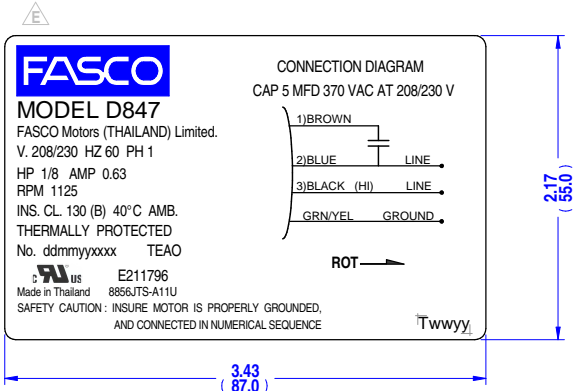
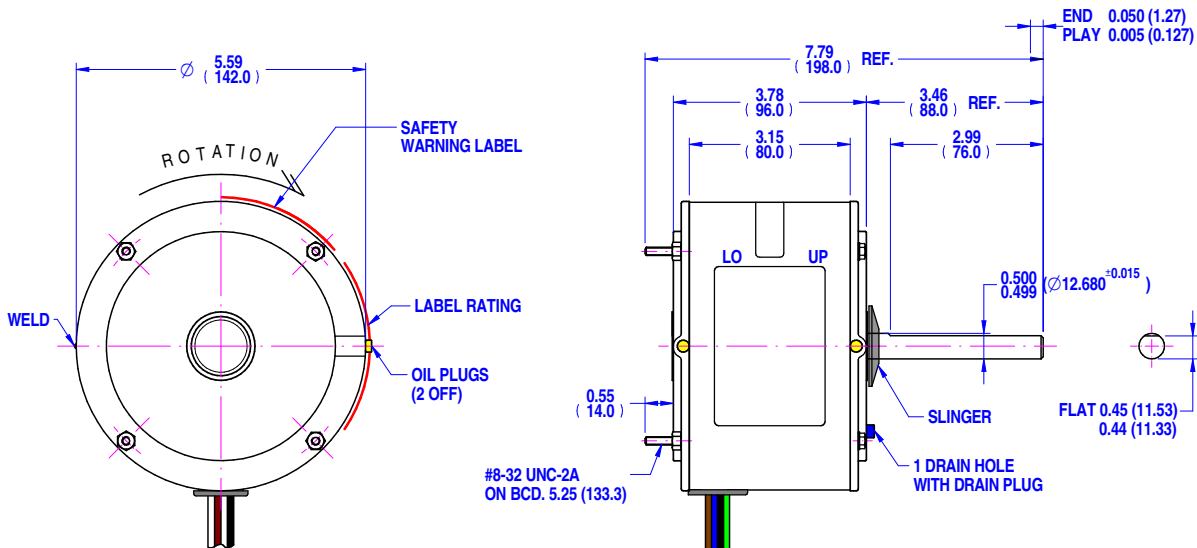
Q.R. No.	Y005169	CUSTOMER NO.	D847					
CUSTOMER	FASCO USA							
MOTOR RATING	VOLTS	208/230	Hz	60	Ph	1	Duty	S1 AOM
	RPM.	1125		0.63		AMPS		
NOM. OUTPUT	100 WATTS (1/8 HP)							
ROTATION	ANTI CLOCK WISE DRIVE END							
CAPACITOR	START	-----		μF/V	RUN	5/---		μF/V
ENCLOSURE	T.E.A.O.							
MOTOR TYPE	PSC	INSULATION CLASS	130 (B)					
THERMAL PROTECTION	AUTO RESET OVERLOAD							
APPLICATION	FAN CONDENSING - SHAFT HORIZONTAL							
BEARING D.E.	SLEEVE	LUBRICATION	PERMAWICK OPERA.TEMP					
BEARING N.D.E.	SLEEVE		-15° -90° C					
SUPPLY LEAD	AS SHOWN							
EARTH PROVISION	SUPPLIED							
BASIC BUILD SPECIFICATION	305-881-20	PAINT/ COLOUR	PC GREY PLAIN E/SHIELDS					
PERFORMANCE SPECIFICATION	SP88026-01							
CONNECTION DIAGRAM	AS SHOWN	RATING LABEL	AS SHOWN					

**SAFETY WARNING**  
THIS MOTOR MUST BE GROUNDED IN ACCORDANCE WITH LOCAL OR NATIONAL ELECTRICAL CODES TO PREVENT POSSIBLE INJURY DUE TO ELECTRICAL SHOCK

P071946

### FINAL INSPECTED MOTORS MUST COMPLY WITH ELECTRIC MOTOR VIBRATION SPECIFICATION (ES049)

THIRD ANGLE PROJECTION



NOTE : DIMENSIONS SHOWN INCH (mm.)  
STK-26

SPECIAL REQUIREMENTS:  
1) \_CAPACITOR SUPPLIED BY CUSTOMER.  
2) \_STAMP FDC NUMBER FDC-D847 ON THE BULK PACK.  
4) \_ADD SAFETY BOOK P/N 398-063-02 IN ALL INDIVIDUAL CARTON.

UNLESS OTHERWISE SPECIFIED : DIMENSIONS ARE IN MM. TOLERANCES	MOTOR WEIGHT	4.5
DECIMALS .X ± 1.0 .XX ± 0.1	kg.	
ANGULAR ± 30'	DRAWN	muntana 24/10/2013
	CHECKED	Pipat 06/09/2018
	RELEASED	Kanapote 17/09/2018
	SCALE	N.T.S.

 29/7-8 MOO 3, BANGKRUAY - SAINOI Rd., BANGKRANG, MIJANG NONTHABURI DISTRICT, NONTHABURI 11000 THAILAND	FRAME	MOTOR
	STATUS	S026:8856T-100-MCX:FDC
	SHEET	DWG. NO. 8856JTS-A11U
	A3	REVISION

MIC:1806326  
 By: Pongpun  
 Date:06/09/2018  
 MIC: F-Add motor weight 4.5 kg  
 Note: