

PRODUCT INFORMATION PACKET

FASCO®

Model No: D7749
Catalog No: D7749
1/4 HP Condenser Fan Motor, 1075 RPM, 208/230 Volts, 48 Frame, Semi Enclosed
Condenser Fans Motors



Regal and Fasco are trademarks of Regal Beloit Corporation or one of its affiliated companies.
©2020 Regal Beloit Corporation, All Rights Reserved. MC017097E

REGAL



Nameplate Specifications

Output HP	1/4 Hp	Output KW	0.19 kW
Frequency	60 Hz	Voltage	208-230 V
Current	1.7 A	Speed	1075 rpm
Service Factor	1	Phase	1
Duty	Continuous	Insulation Class	B
Frame	48	Enclosure	Open Drip Proof
Thermal Protection	Automatic	Ambient Temperature	60 °C
UL	Recognized	CSA	Y
CE	N		

Technical Specifications

Electrical Type	Permanent Split Capacitor	Starting Method	Across The Line
Poles	6	Rotation	Reversible
Mounting	Extended Studs	Drive End Bearing	Ball
Opp Drive End Bearing	Ball	Frame Material	Rolled Steel
Shaft Type	Double Flat	Frame Length	3.74 in
Shaft Diameter	0.500 in	Shaft Extension	6.5 in
Outline Drawing	808556MVA-A13U		

This is an uncontrolled document once printed or downloaded and is subject to change without notice. Date Created:22/09/2020

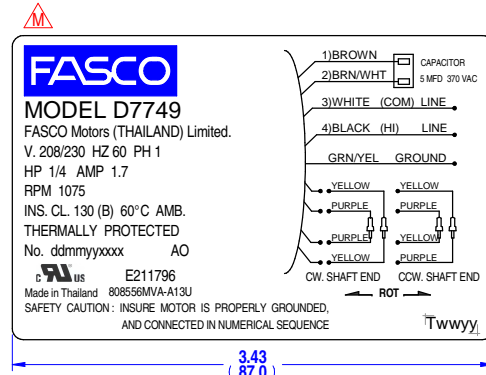
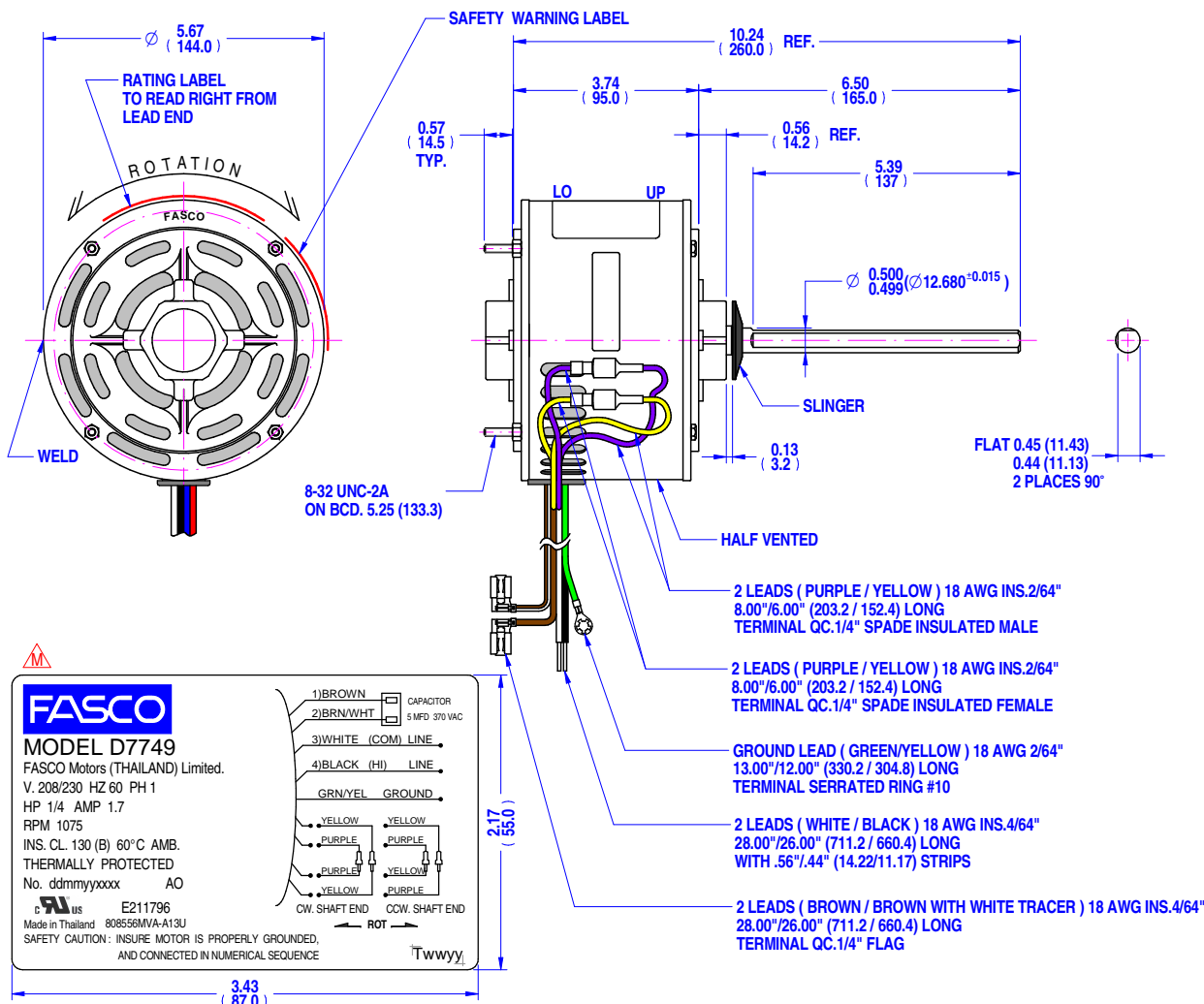
MOTOR SPECIFICATION

808556MVA-A13U

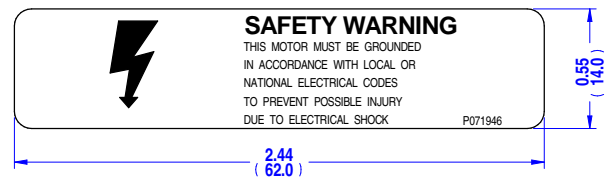
Q.R. No.	Y000795	CUSTOMER NO.	D7749					
CUSTOMER	FASCO USA							
MOTOR RATING	VOLTS	208/230	Hz	60	Ph	1	Duty	S1 AOM
	RPM.	1075		1.7		AMPS		
NOM. OUTPUT	207 WATTS (1/4 HP)							
ROTATION	REVERSIBLE							
CAPACITOR	START	-----	μF/V	RUN	5/---	μF/V		
ENCLOSURE	DRIPPROOF							
MOTOR TYPE	PSC	INSULATION CLASS	130 (B)					
THERMAL PROTECTION	AUTO RESET OVERLOAD							
APPLICATION	FAN CONDENSING - SHAFT HORIZONTAL							
BEARING D.E.	6202 ZZ		LUBRICATION	LONG LIFE, WIDE RANGE				
BEARING N.D.E.	6202 ZZ							
SUPPLY LEAD	AS SHOWN							
EARTH PROVISION	SUPPLIED							
BASIC BUILD SPECIFICATION	BB85SF-012	PAINT/ COLOUR	PC GREY PLAIN E/SHIELDS					
PERFORMANCE SPECIFICATION	SP85220-01							
CONNECTION DIAGRAM	AS SHOWN	RATING LABEL	AS SHOWN					

FINAL INSPECTED MOTORS MUST COMPLY WITH ELECTRIC MOTOR VIBRATION SPECIFICATION (ES049)

THIRD ANGLE PROJECTION



NOTE : DIMENSIONS SHOWN INCH (mm.)
STK - 26



SPECIAL REQUIREMENTS:

- 1)_CAPACITOR SUPPLIED BY CUSTOMER.
- 2)_DO NOT PACK MOTOR IN PLASTIC BAG.
- 3)_STAMP FDC PART NUMBER FDC-D7749 ON THE BULK PACK.
- 4)_ADD SAFETY BOOK P/N 398-063-02 IN ALL INDIVIDUAL CARTON.

UNLESS OTHERWISE SPECIFIED : DIMENSIONS ARE IN MM. TOLERANCES		MOTOR WEIGHT	4.6 kg.	
DECIMALS	ANGULAR	DRAWN	Nithad	21/06/2001
.X ± 1.0	± 30'	CHECKED	Pipat	24/08/2017
.XX ± 0.1		RELEASED	Sutthipant	24/08/2017
THIS DRAWING REMAINS THE PROPERTY OF FASCO MOTORS AND MAY NOT BE USED, COPIED OR ISSUED WITHOUT WRITTEN PERMISSION FROM FASCO MOTORS		SCALE	N.T.S.	

FASCO THAILAND
29/8 MOO 3, BANGKRUAY - SAINOI Rd.,
BANGKRANG, MIJANG NONTHABURI DISTRICT,
NONTHABURI 11000 THAILAND

FRAME	MOTOR	
STATUS	B220:8556V-207-MCU:FDC	
SHEET	DWG. NO.	REVISION
A3	808556MVA-A13U	M