

PRODUCT INFORMATION PACKET

FASCO®

Model No: D336

Catalog No: D336

1/10-1/15-1/25 HP Fan Coil / Room Air Conditioner Motor, 1550 RPM, 3 Speed, 115 Volts, 4.4" Diameter, OAO
Fan Coil / Room Air Conditioner Motors



Regal and Fasco are trademarks of Regal Beloit Corporation or one of its affiliated companies.
©2020 Regal Beloit Corporation, All Rights Reserved. MC017097E

REGAL



Nameplate Specifications

Output HP	1/10-1/15-1/25 Hp	Output KW	0.07 kW
Frequency	60 Hz	Voltage	115 V
Current	3.5-2.4-1.8 A	Speed	1550 rpm
Service Factor	1	Phase	1
Duty	Air Over	Insulation Class	A
Frame	4.4	Enclosure	Open Air Over
Thermal Protection	Thermally Protected	Ambient Temperature	40 °C
UL	Recognized	CSA	Y
CE	N		

Technical Specifications

Electrical Type	Shaded Pole	Starting Method	Across The Line
Poles	4	Rotation	Reversible
Mounting	Resilient Rings	Drive End Bearing	Sleeve
Opp Drive End Bearing	Sleeve	Frame Material	Na
Shaft Type	Flat	Overall Length	18.51 in
Shaft Diameter	0.375 in	Shaft Extension	7.5 in
Outline Drawing	7108014639_S001	Connection Drawing	SEE OUTLINE

This is an uncontrolled document once printed or downloaded and is subject to change without notice. Date Created:06/11/2020

- NOTES:
1. THRU AIR SPACING BETWEEN WIRE AND METAL .063 MIN.
 2. THE BOLT TORQUE TOLERANCE 7-10 IN. LBS.
 3. ROTOR FREEMESS TO BE WITHIN .24 OZ. IN.
 4. FOR WASHER SET-UP, SEE CHART C600 0279, DETAIL "H".
 5. MAXIMUM 0.1 Ω RESISTANCE BETWEEN GROUND TERMINAL AND MOTOR FRAME.
 6. SALES TO SPECIFY ON P.O. WHICH PACK TO USE.

ECO	REV.	DATE	SPEC/CHECK
640608	39	10-6-09	LDC/LDC
631117	36	5-7-03	MKR/MKR
638660	37	08-22-08	GAE/GAE
639400	38	4-7-09	MKR/MKR

71xx xxxx,M

A. SEE PACKAGING MANUAL PAGE 2 FOR PACKAGING PROCEDURES.

1 MOTOR/CARTON;
20 MOTORSLAYER;
6 LAYERS/PALLET;
120 MOTORSP/PALLET.

B. SEE DRAWING 8786 6079 SH. 1 FOR PALLET LAYOUT.
C. CENTER LABEL, 6119 0798, ON END OF CARTON.
D. PLACE PAMPHLET, 6122 4579, IN CARTON WITH MOTOR.

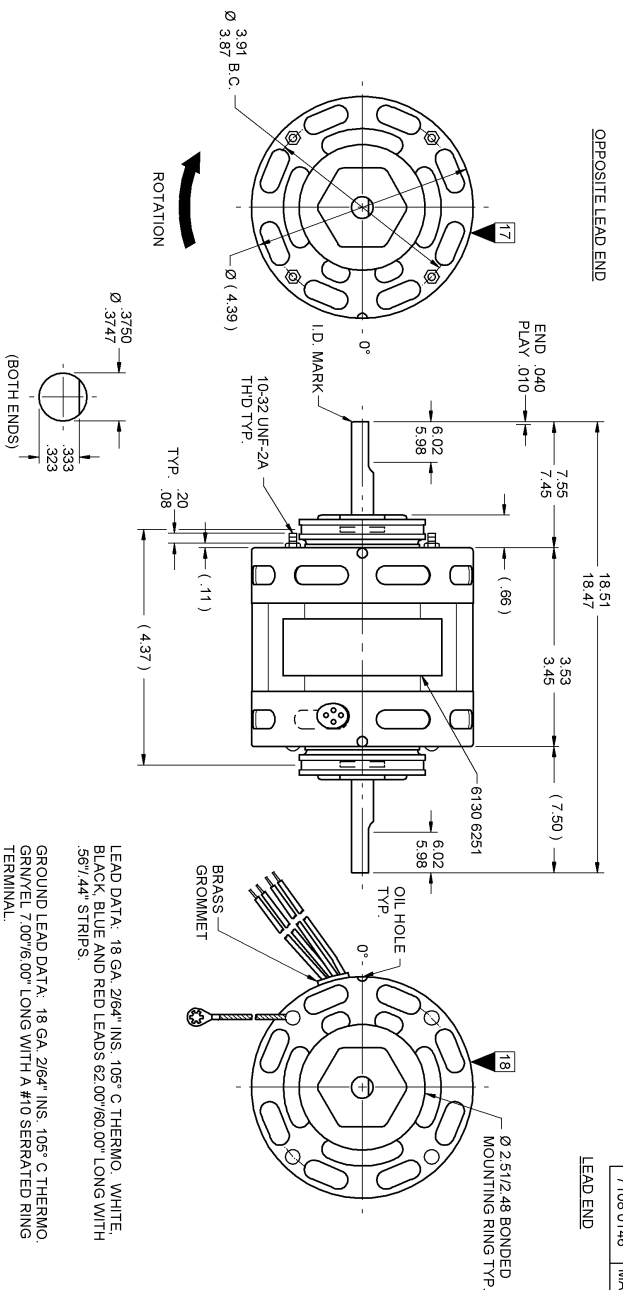
71xx xxxxC

PRODUCTION TEST AT IDLE		PERFORMANCE TEST		115 VOLTS		60 HZ		1 PH		1/10 HP		BREAK			
AMP	WATT	RPM	AMP	WATT	OZ/IN	RPM	AMP	WATT	OZ/IN	AMP	WATT		OZ/IN		
3.08	2.52	158.4	129.6	HIGH	1788	2.8	144	73	1550	3.3	232	31	4.8	320	84
2.09	1.71	107.8	88.2	MED.	1767	1.9	98	51	1550	2.3	159	23	3.3	212	59
1.54	1.26	80.3	65.7	LOW	1780	1.4	73	38	1550	1.7	118	17	2.4	153	44

HI-POT TEST 2000 VOLTS

MAX LEAKAGE CURRENT 5 mA

MOTORS MUST START WITH 90 VOLTS APPLIED TO LOWEST SPEED.



7108 01 46 = MADE IN U.S.A. IN MEXICO

7108 01 46M = ASSEMBLED IN MEXICO

FASCO INDUSTRIES, INC.
MOTOR DIVISION

MODEL D336

CONNECTION DIAGRAM

WHITE LINE
BLUE-MED LINE
RED-LO LINE

DATE/BAR CODE AREA PER 8882 6003

6130 6251 M REV. 8

LOCATE C OF NAMEPLATE ON C OF STATOR TO READ RIGHT FROM LEAD END OF MOTOR CENTER AT O.

SIZE 3.50 X 1.00

SAFETY WARNING: THIS MOTOR MUST BE REWOUND IN ACCORDANCE WITH THE REWINDING INSTRUCTIONS ON THE CONNECTION DIAGRAM. FAILURE TO FOLLOW THESE INSTRUCTIONS MAY BE DANGEROUS TO PERSONS.

V-115 HZ 60 RPM 1550 (3 SPD) PI 1 TYPE U8
HP 1/10-1/15-1/25 THERMALLY PROTECTED AO

AMP 3.5-2.4-1.8

INSULATION CLASS: A

ENVIRONMENT: DRY

MOTOR WEIGHT: LBS.

FINISH COLOR: GRAY

APPLICATION: COUNTER SALES

PART NUMBER: D336

PALLETT PACK: 120 CARTON PACK

MOTOR TYPE: SHADED POLE

MOTOR NUMBER: 7108 01 46

REV: 39

PROPRIETARY - DO NOT REPLICATE OR DISCLOSE TO THIRD PARTIES WITHOUT WRITTEN PERMISSION OF FASCO IND. INC., ELON, NC.

FASCO INDUSTRIES, INC.
MOTOR DIVISION
ELDON PLANT

LEAD DATA: 18 GA. 2/64" INS. 105° C THERMO. WHITE, BLACK, BLUE AND RED LEADS 62.00"/60.00" LONG WITH .567"/44" STRIPS.

GROUND LEAD DATA: 18 GA. 2/64" INS. 105° C THERMO. GRUNTEL 7.00"/6.00" LONG WITH A #10 SERRATED RING TERMINAL.

SPECIAL INSTRUCTIONS: SHAFT IS BONDERIZED. FLATS TO BE PARALLEL WITHIN ±.20". PAMPHLET PACKED WITH MOTOR.