

PRODUCT INFORMATION PACKET

FASCO®

Model No: D261
Catalog No: D261
1/8-1/15 HP Unit Heater Motor, 1075 RPM, 2 Speed, 115 Volts, 42 Frame, TEAO
Unit Heater Motors



Regal and Fasco are trademarks of Regal Beloit Corporation or one of its affiliated companies.
©2020 Regal Beloit Corporation, All Rights Reserved. MC017097E

REGAL



Nameplate Specifications

Output HP	1/8-1/15 Hp	Output KW	0.10 kW
Frequency	60 Hz	Voltage	115 V
Current	2.3-1.1 A	Speed	1075 rpm
Service Factor	1	Phase	1
Duty	Continuous	Insulation Class	B
Frame	42	Enclosure	Open Air Over
Thermal Protection	Automatic	Ambient Temperature	40 °C
UL	Recognized	CSA	Y
CE	N		

Technical Specifications

Electrical Type	Permanent Split Capacitor	Starting Method	Across The Line
Poles	6	Rotation	Reversible
Mounting	Extended Studs	Drive End Bearing	Sleeve
Opp Drive End Bearing	Sleeve	Frame Material	Na
Shaft Type	Flat	Overall Length	7.34 in
Shaft Diameter	0.500 in	Shaft Extension	3 in
Outline Drawing	7186001109_S001	Connection Drawing	SEE OUTLINE

This is an uncontrolled document once printed or downloaded and is subject to change without notice. Date Created:22/09/2020

NOTES:

1. THRU AIR SPACING BETWEEN WIRE AND METAL .094 MIN.
2. THE BOLT TORQUE TOLERANCE 7 - 12 IN. LBS.
3. FOR WASHER SET-UP, SEE CHART 0800 0279, DETAIL "H".
4. LOCATE CONNECTION DIAGRAM 6130 6312 ADJACENT TO AND RIGHT OF NAMEPLATE WITHIN .25" TO READ RIGHT FROM LEAD END OF MOTOR.
5. CONNECT THE TWO YELLOW REV. LEADS TOGETHER AND THE TWO PURPLE REV. LEADS TOGETHER. THIS WILL GIVE COWLE ROTATION.
6. ASSEMBLE NYLON GROMMET, 0061 3346, IN LEAD EXIT OF COVER, 8464 0491.
7. SALES TO SPECIFY ON P.O. WHICH PACK TO USE.

ECO	REV.	DATE	SPEC/CHECK
634153	6	01-17-05	GAE/XXX
638231	7	6-4-08	MKR/MKR
639206	8	3-13-09	MKR/MKR
641691	9	10-21-10	GAE/GAE

ECO	REV.	DATE	SPEC/CHECK
634153	6	01-17-05	GAE/XXX
638231	7	6-4-08	MKR/MKR
639206	8	3-13-09	MKR/MKR
641691	9	10-21-10	GAE/GAE

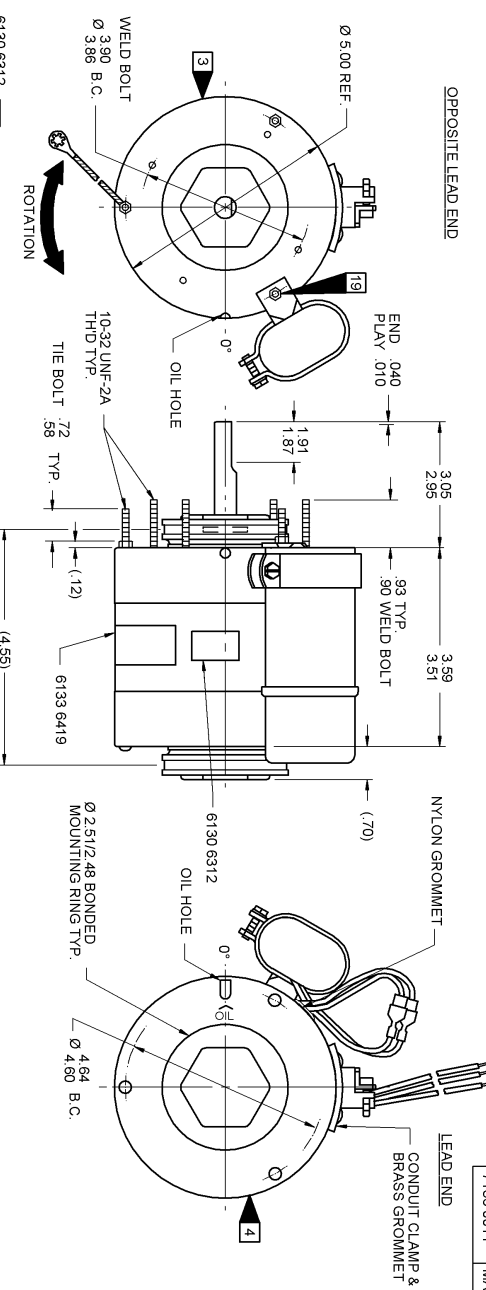
71xx xxxx,R	71xx xxxx,RP
<ul style="list-style-type: none"> A. SEE PACKAGING MANUAL PAGE 3 FOR PACKAGING PROCEDURES. 1 MOTOR/CARTON; 24 MOTOR/S/LAYER; 6 LAYERS/PALLET; 144 MOTOR/S/PALLET. B. SEE DRAWING 8785 6079 SH. 8 FOR PALLET LAYOUT. C. CENTER LABEL, 6119 8930, ON END OF CARTON. D. PLACE PAMPHLET, 6122 4579, IN CARTON WITH MOTOR. 	<ul style="list-style-type: none"> A. SEE PACKAGING MANUAL PAGE 6 FOR PACKAGING PROCEDURES. 42 MOTOR/S/LAYER; 3 LAYERS/CARTON; 2 CARTONS/PALLET; 252 MOTOR/S/PALLET. B. CUT TENT FILLER, 8662 6119, INTO 3 1/4" LENGTHS. C. PLACE 1 PAMPHLET, 6122 4579, IN EACH LAYER OF MOTORS.

FILLER ASSEMBLY	7886 0011 R	REV. 1
6 OF 8662 6397	=====	"A" FILLER
8 OF 8662 6530	=====	"B" FILLER
4 OF 8662 6398	=====	"C" FILLER

PRODUCTION TEST AT IDLE		PERFORMANCE TEST		115 VOLTS 60 HZ		1 PH 1/8 HP		CAP. 4 MFD 370 VAC	
AMP	WATT	RPM	AMP	WATT	RPM	AMP	WATT	OZ/IN	BREAK
1.40	1.14	78.1	63.9	HIGH	1197	1.27	71	156	1075
.55	.45	34.1	27.9	LOW	1194	.50	31	72	1075

IDLE		LOADED		LOCKED		BREAK	
AMP	WATT	AMP	WATT	OZ/IN	AMP	WATT	OZ/IN
1.27	71	2.32	231	38	4.03	402	172
.50	31	1.09	102	18	2.07	177	81

MAX LEAKAGE CURRENT 5 mA
 HI-POT TEST 2000 VOLTS
 TYPICAL PERFORMANCE SHOWN ABOVE FOR COWLE ROTATION
 7186 0011 MA



7186 0011 P = MADE IN U.S.A.
 7186 0011 R,RP = ASSEMBLED IN MEXICO

SPECIAL INSTRUCTIONS: SHAFT IS BONDZERED. PAMPHLET IS SUPPLIED.

FASCO INDUSTRIES, INC. MOTOR DIVISION

CONNECTION DIAGRAM
 BRN/WHIT - CAPACITOR
 WHITE - LINE
 BLK-HI - LINE
 RED-LO - LINE

V-115 HZ 60 INS. CL. B. PH. 1 ROT
 V-118-1/15 RPM 1075 (2 SPD) TYPE U18681
 AMP 2.3-1.1 TEO 40° C AMB NO. 7186-001-1
 CAP 4 MFD 370 VAC THERMALLY PROTECTED
 SAFETY WARNING

DATE/BAR CODE AREA PER 8892 6003

6133 6419 R REV. 4

LOCATE & OF NAMEPLATE ON & OF STATOR TO READ RIGHT FROM
 LEAD END OF MOTOR CENTER AT 65° COWLE.
 SIZE 3.50 X 1.00

MOTORS PACKED MAX. PER SKID: 252 PALLET PACK, 144 CARTON PACK.

CUSTOMER: FASCO DISTRIBUTING CO.

PART NUMBER: D261

APPLICATION: DIST. SALES

FINISH COLOR: GRAY

MOTOR WEIGHT: 9.0 LBS.

ENVIRONMENT: DRY

INSULATION CLASS: B

MOTOR TYPE: P.S.C.

MOTOR NUMBER: 7186 0011

REV. 9