

PRODUCT INFORMATION PACKET

FASCO®

Model No: D255

Catalog No: D255

1/25-1/50-1/80 HP Fan Coil / Room Air Conditioner Motor, 1050 RPM, 3 Speed, 115 Volts, 42 Frame, OAO
Fan Coil / Room Air Conditioner Motors



Regal and Fasco are trademarks of Regal Beloit Corporation or one of its affiliated companies.
©2019 Regal Beloit Corporation, All Rights Reserved. MC017097E

REGAL



Nameplate Specifications

Output HP	1/25-1/50-1/80 Hp	Output KW	0.03 kW
Frequency	60 Hz	Voltage	115 V
Current	1.5/1.0/0.6 A	Speed	1050 rpm
Service Factor	1	Phase	1
Duty	Air Over	Insulation Class	A
Frame	42	Enclosure	Open Air Over
Thermal Protection	Thermally Protected	Ambient Temperature	40 °C
UL	Recognized	CSA	Y
CE	N		

Technical Specifications

Electrical Type	Shaded Pole	Starting Method	Across The Line
Poles	6	Rotation	Counterclockwise Lead End
Mounting	Resilient Rings	Drive End Bearing	Sleeve
Opp Drive End Bearing	Sleeve	Frame Material	Na
Shaft Type	Flat	Overall Length	18.26 in
Shaft Diameter	0.500 in	Shaft Extension	7.50 in

This is an uncontrolled document once printed or downloaded and is subject to change without notice. Date Created:29/10/2019

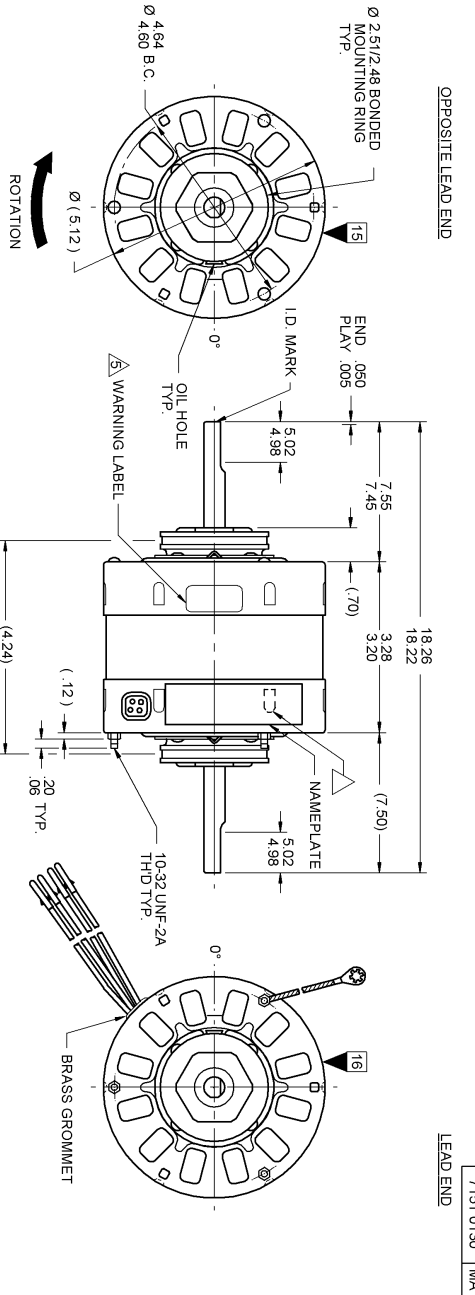
- NOTES:
1. THRU AIR SPACING BETWEEN WIRE AND METAL .19 MIN.
 2. TIE BOLT TOLERANCE 7 - .12 LBS.
 3. FOR WASHER SET-UP, SEE CHART 0600 0279, DETAIL "A".
 4. SALES TO SPECIFY ON P.O. WHICH PACK TO USE.
- ⚠ ASSEMBLE WARNING LABEL .05 FROM EDGE OF OPPOSITE LEAD END COVER AT "D", AS SHOWN, TO READ RIGHT FROM LEAD END OF MOTOR.

ECO	REV.	DATE	SPEC/CHECK
631069	42	4-29-03	BJR/WVS
638321	43	6-25-08	LDC/LDC
639150	44	3-5-09	LDC/LDC
C430789	45	4-22-2010	BGP/SDM

- 71xx xxxx,M
- SEE PACKAGING MANUAL PAGE 2 FOR PACKAGING PROCEDURE
 - SEE DRAWING 8786 6079 SH. 1 FOR PALLET LAYOUT.
 - CENTER LABEL, 6122 5924, ON END OF CARTON.
 - REMOVE PAPER TUBES FROM TERMINALS AS MOTORS ARE BEING PACKED.
 - PLACE PAMPHLET, 6122 4579, IN CARTON WITH MOTOR.
 - CARTON LABELS MUST ALL FACE ONE DIRECTION TOWARD THE OPEN END OF THE PALLET. SEE P.S. 9893 4408.

PRODUCTION TEST AT IDLE	PERFORMANCE TEST	115 VOLTS	60 HZ	1 PH	1/25 HP	71xx xxxxZ	71xx xxxxC									
AMP	WATT	RPM	AMP	WATT	OZ/IN	RPM	AMP	WATT	OZ/IN	AMP	WATT	OZ/IN	AMP	WATT	OZ/IN	BREAK
1.32	1.08	83.6	68.4	1.2	76	37	1050	1.4	103	16	1.8	127	44			
.88	.72	53.9	44.1	.8	49	21	1050	.9	63	10	1.1	74	26			
.55	.45	39.6	32.4	.5	36	13	1050	.6	44	7	.8	54	17			

PRODUCTION TEST AT IDLE	PERFORMANCE TEST	115 VOLTS	60 HZ	1 PH	1/25 HP	71xx xxxxZ	71xx xxxxC									
AMP	WATT	RPM	AMP	WATT	OZ/IN	RPM	AMP	WATT	OZ/IN	AMP	WATT	OZ/IN	AMP	WATT	OZ/IN	BREAK
1.32	1.08	83.6	68.4	1.2	76	37	1050	1.4	103	16	1.8	127	44			
.88	.72	53.9	44.1	.8	49	21	1050	.9	63	10	1.1	74	26			
.55	.45	39.6	32.4	.5	36	13	1050	.6	44	7	.8	54	17			



LEAD DATA: 18 GA, 26#4" INS, 105° C THERMO. WHITE, BLACK AND RED LEADS 37.00/35.00" LONG TO END OF .084 PIN TERMINALS.

GROUND LEAD DATA: 18 GA, 26#4" INS, 105° C THERMO. GROUND LEAD 7.00/7.00" LONG WITH A #10 SERKATED RING TERMINAL.

SAFETY WARNING
 This motor must be connected in accordance with the National Electrical Code and all applicable local codes. Do not disconnect while running.

0046 4072

Fasco Industries, Inc. Motor Division

Assembled in Mexico
 115 V 1510130 60 Hz
 Model D255
 Thermally Protected Max Amb 40°C
 1/25-1/50-1/80 HP Ret. COWLE
 1050 RPM (3 SPD)

CONNECTION DIAGRAM
 WHITE LINE
 BLUE LINE
 RED LINE
 BLACK LINE

LOCATE NAMEPLATE .05 FROM EDGE OF LEAD END COVER TO READ RIGHT FROM LEAD END OF MOTOR CENTER AT 26° CWL. SIZE 3.00 X .90

0047 0343

SPECIAL INSTRUCTIONS: FLATS TO BE PARALLEL WITHIN ±20°. MOTORS MUST BE FREE TO ASSURE LOW SPEED STARTING. SHAFT IS BONDERIZED. LANCE MUST BE COMPLETELY COVERED BY NAMEPLATE. PAMPHLET PACKED WITH MOTOR.

MOTORS PACKED MAX PER SKID: PALLET PACK 96 CARTON PACK TRAY PACK

CUSTOMER: FASCO DISTRIBUTING CO.

PART NUMBER: D255

APPLICATION: DIST. SALES

FINISH COLOR: GRAY

MOTOR WEIGHT: 6.96 LBS.

ENVIRONMENT: DRY

INSULATION CLASS: A

PROPRIETARY. DO NOT DUPLICATE OR DISCLOSE TO THIRD PARTIES WITHOUT WRITTEN PERMISSION OF FASCO IND. INC. ELDON MO.

FASCO INDUSTRIES, INC.
 MOTOR DIVISION
 ELDON PLANT

MOTOR TYPE: SHADED POLE

MOTOR NUMBER/REV: 7151 0130 / 45