

# PRODUCT INFORMATION PACKET

FASCO®

Model No: D189  
Catalog No: D189  
1/20 HP Fan & Blower Motor, 1500 RPM, 230 Volts, 3.3" Diameter, Semi Enclosed  
Self Cooled Motors



Regal and Fasco are trademarks of Regal Beloit Corporation or one of its affiliated companies.  
©2019 Regal Beloit Corporation, All Rights Reserved. MC017097E

REGAL



**Nameplate Specifications**

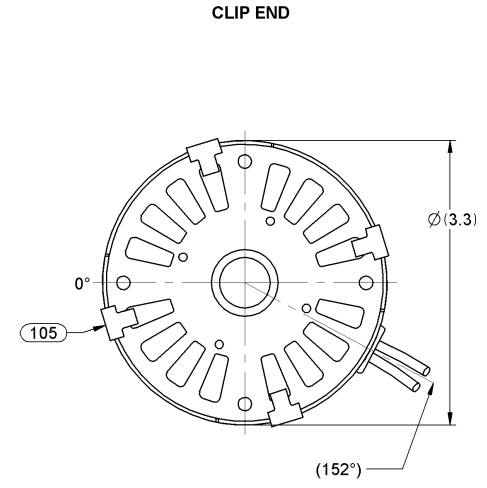
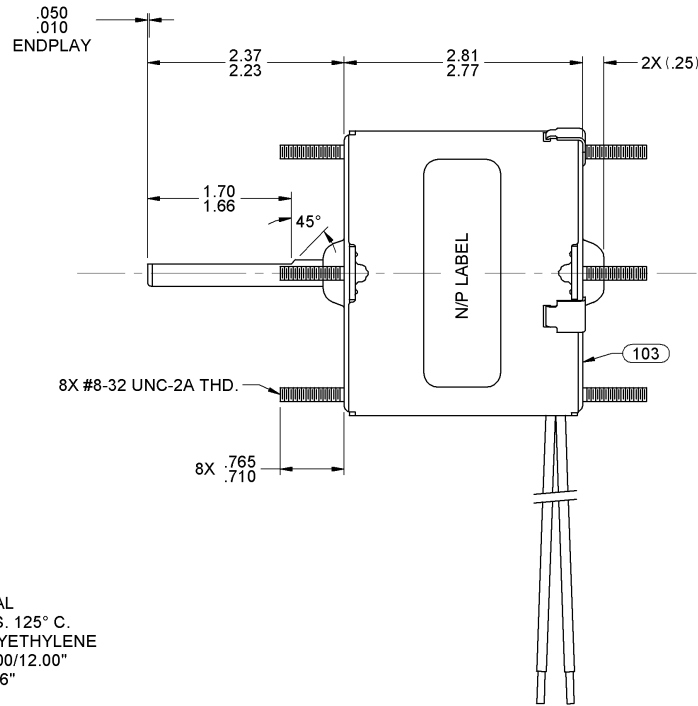
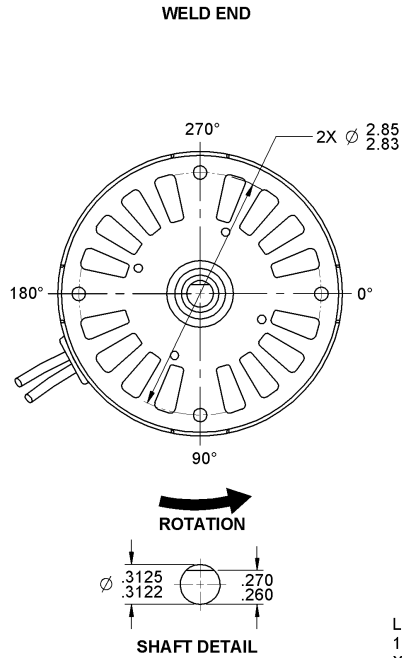
Output HP	1/20 Hp	Output KW	0.04 kW
Frequency	60 Hz	Voltage	230 V
Current	0.90 A	Speed	1500 rpm
Service Factor	1	Phase	1
Duty	Air Over	Insulation Class	B
Frame	3.3	Enclosure	Open Air Over
Thermal Protection	Thermally Protected	Ambient Temperature	40 °C
UL	Recognized	CSA	Y
CE	N		

**Technical Specifications**

Electrical Type	Shaded Pole	Starting Method	Across The Line
Poles	4	Rotation	Counterclockwise Shaft End
Mounting	Extended Studs	Drive End Bearing	Sleeve
Opp Drive End Bearing	Sleeve	Frame Material	Steel
Shaft Type	Flat	Overall Length	5.43 in
Frame Length	2.57 in	Shaft Diameter	0.313 in
Shaft Extension	2.30 in		

This is an uncontrolled document once printed or downloaded and is subject to change without notice. Date Created:29/10/2019

10	REVISED N/P LABEL AND TO CLINCH STUDS	SD 10-30-07	11	REMOVED BARCODE & ADDED LR# TO NAMEPLATE	JLL 11-4-09	12	ADDED CARTON LABEL NOTES	4005007 MLM 03/21/12	STANDARD TOLERANCES: ANGULAR +/- 1 DEGREE 2 PLACE DECIMAL +/- .01 3 PLACE DECIMAL +/- .005
----	---------------------------------------	-------------	----	--	-------------	----	--------------------------	-------------------------	---



LEAD MATERIAL  
18 GA. 2/64 INS. 125° C.  
X-LINKED POLYETHYLENE  
(2) BLACK, 14.00/12.00"  
W/STRIP .68/.56"

0046 4072

0046 4282

**FASCO** Fasco Industries, Inc. Motor Division

Assembled in Mexico

No. 71637185 Type U63B1 T.P. AO

230 V 60 Hz Class B

0.9 A 1500 RPM 1/20 HP

Model D189 Max Amb: 40° C

LR6319

**SAFETY WARNING**

The Motor Must Be Grounded in Accordance With Local Or National Electrical Codes To Prevent Possible Injury Due To Electrical Shock

6129 9553

NOTES:  
270 MAX. MOTORS PER PALLET  
NO PACKAGING TAPE OVER CARTON LABEL.

FRONT SHAFT POSITION		TYPICAL PERFORMANCE AT 230 VOLTS 60 Hz.											CUSTOMER: FASCO DIST.		FASCO MOTORS GROUP AC MOTOR/BLOWER DIVISION								
HORIZONTAL	MOTOR SPEED	IDLE			LOADED			LOCKED			BREAK	APPLICATION: COUNTER SALES	CONFIDENTIAL; DO NOT DUPLICATE OR DISCLOSE TO THIRD PARTIES WITHOUT WRITTEN PERMISSION OF FASCO MOTORS GROUP, AC MOTOR/BLOWER DIVISION.										
		R.P.M.	AMP.	WATT	IN.OZ.	R.P.M.	AMP.	WATT	IN.OZ.	AMP.	WATT		IN.OZ.	MOTOR TYPE					DRAWING NUMBER				
		1768	.71	76	37.1	1500	.88	130	13.6	1.21	170	39.9	MOTOR WEIGHT: 3.22 LBS.	SHADED POLE					7163 7185				
CUSTOMER APPROVAL:													ENVIRONMENT: DRY										
SIGNED:													FINISH COLOR: BLACK										
DATE:													DRAWN BY: S. DALTON										
													DATE DRAWN: 11-12-2001										
													REV. 12										