

PRODUCT INFORMATION PACKET

FASCO®

Model No: D188
Catalog No: D188
1/20 HP Fan & Blower Motor, 1500 RPM, 230 Volts, 3.3" Diameter, Semi Enclosed
Self Cooled Motors



Regal and Fasco are trademarks of Regal Beloit Corporation or one of its affiliated companies.
©2019 Regal Beloit Corporation, All Rights Reserved. MC017097E

REGAL



Nameplate Specifications

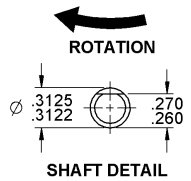
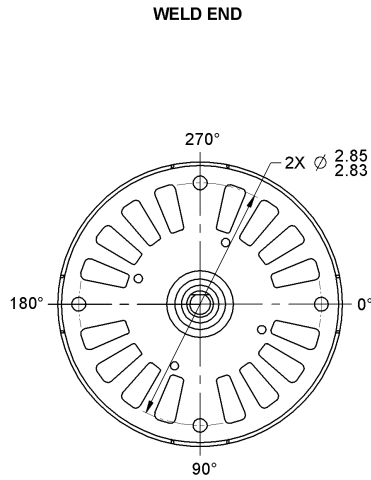
Output HP	1/20 Hp	Output KW	0.04 kW
Frequency	60 Hz	Voltage	230 V
Current	0.90 A	Speed	1500 rpm
Service Factor	1	Phase	1
Duty	Air Over	Insulation Class	B
Frame	3.3	Enclosure	Open Air Over
Thermal Protection	Thermally Protected	Ambient Temperature	40 °C
UL	Recognized	CSA	Y
CE	N		

Technical Specifications

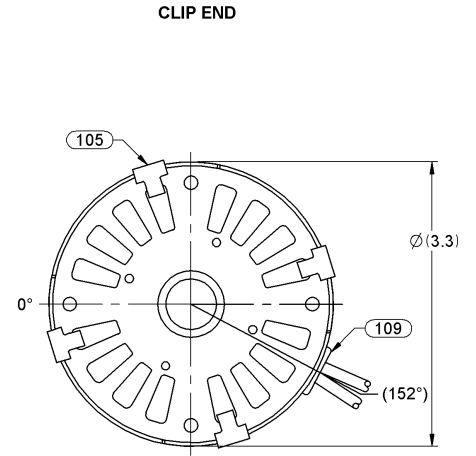
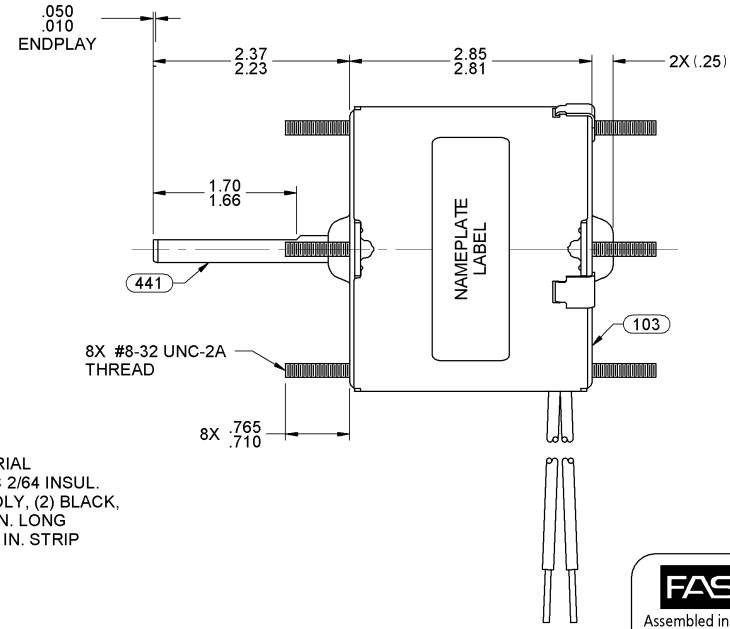
Electrical Type	Shaded Pole	Starting Method	Across The Line
Poles	4	Rotation	Clockwise Shaft End
Mounting	Extended Studs	Drive End Bearing	Sleeve
Opp Drive End Bearing	Sleeve	Frame Material	Steel
Shaft Type	Flat	Overall Length	5.47 in
Frame Length	2.62 in	Shaft Diameter	0.313 in
Shaft Extension	2.30 in		

This is an uncontrolled document once printed or downloaded and is subject to change without notice. Date Created:29/10/2019

30	CHANGE N/P TO MATCH N/P LABEL LAYOUT.	SDM 03/08/10	31	CORRECT SPELLING ON CENTER VIEW.	SDM 03/31/10	32	REVISED PACKING AND ADDED CARTON LABEL NOTES	4003929 MLM 12/6/11	STANDARD TOLERANCES: ANGULAR +/- 1 DEGREE 2 PLACE DECIMAL +/- .01 3 PLACE DECIMAL +/- .005
----	---------------------------------------	--------------	----	----------------------------------	--------------	----	--	------------------------	---



LEAD MATERIAL
18 GA. 125°C 2/64 INSUL.
X-LINKED POLY, (2) BLACK,
14.00/12.00 IN. LONG
WITH .68/.56 IN. STRIP



NOTES:
PACK 270 MOTORS MAX. PER PALLET.
NO PACKAGING TAPE OVER CARTON LABEL.

0046-4072

0046-4282

FASCO Fasco Industries, Inc. Motor Division

Assembled in Mexico

No. 71634263	TYPE U63B1	T.P. AO	LR6319
230 V	60 Hz	Class B	
0.9 A	1500 RPM	1/20 HP	
Model D188		Max. Amb: 40°C	

SAFETY WARNING

This Motor Must Be Grounded in Accordance With Local Or National Electrical Codes To Prevent Possible Injury Due To Electrical Shock

6129 9553

FRONT SHAFT POSITION		TYPICAL PERFORMANCE AT 230 VOLTS 60 Hz.										CUSTOMER: FASCO DIST.		FASCO FASCO MOTORS GROUP AC MOTOR/BLOWER DIVISION									
HORIZONTAL	MOTOR SPEED	IDLE			LOADED			LOCKED			BREAK	PART NUMBER: D188	CONFIDENTIAL; DO NOT DUPLICATE OR DISCLOSE TO THIRD PARTIES WITHOUT WRITTEN PERMISSION OF FASCO MOTORS GROUP, AC MOTOR/BLOWER DIVISION.										
		R.P.M.	AMP.	WATT	IN.OZ.	R.P.M.	AMP.	WATT	IN.OZ.	AMP.	WATT	IN.OZ.	APPLICATION: COUNTER SALES	MOTOR TYPE		DRAWING NUMBER							
		1755	.76	81	30	1580	.92	123	10.8	1.09	186	36	MOTOR WEIGHT: 3.16 POUNDS	SHADED POLE		7163 4263							
CUSTOMER APPROVAL:													ENVIRONMENT: DRY	REV. 32									
SIGNED:													FINISH COLOR: BLACK	B	LA	FR	A	S	C	E	B	A	
DATE:													DRAWN BY: S. M. MAGGARD	00	63	30	V	05	CN	5	3	0	
													DATE DRAWN: 12-18-2001										