

PRODUCT INFORMATION PACKET

FASCO®

Model No: D160
Catalog No: D160
1/10-1/12-1/15 HP Fan & Blower Motor, 1050 RPM, 3 Speed, 115 Volts, 42 Frame, OAO
Direct Drive Motors



Regal and Fasco are trademarks of Regal Beloit Corporation or one of its affiliated companies.
©2020 Regal Beloit Corporation, All Rights Reserved. MC017097E

REGAL



Nameplate Specifications

Output HP	1/10 - 1/12 - 1/15 Hp	Output KW	0.07 kW
Frequency	60 Hz	Voltage	115 V
Current	3.4/2.8/2.4 A	Speed	1050 rpm
Service Factor	1	Phase	1
Duty	Air Over	Insulation Class	A
Frame	42	Enclosure	Open Air Over
Thermal Protection	Thermally Protected	Ambient Temperature	40 °C
UL	Recognized	CSA	Y
CE	N		

Technical Specifications

Electrical Type	Shaded Pole	Starting Method	Across The Line
Poles	6	Rotation	Clockwise Shaft End
Mounting	Resilient Rings	Drive End Bearing	Sleeve
Opp Drive End Bearing	Sleeve	Frame Material	Na
Shaft Type	Flat	Overall Length	8.47 in
Shaft Diameter	0.375 in	Shaft Extension	3.88 in
Connection Drawing	SEE OUTLINE	Outline Drawing	7151013721_S001

This is an uncontrolled document once printed or downloaded and is subject to change without notice. Date Created:06/11/2020

- NOTES:
1. THRU AIR SPACING BETWEEN WIRE AND METAL 10 MIN.
 2. THE BOLT TORQUE TOLERANCE 10 - 15 IN. LBS.
 3. FOR WASHER SET-UP, SEE CHART C600 0279, DETAIL "H".
 4. SALES TO SPECIFY ON P.O. WHICH PACK TO USE.
- ▲ ASSEMBLE 6129 4832 WARNING LABEL AS SHOWN TO READ RIGHT FROM LEAD END OF MOTOR.

ECO	REV.	DATE	SPEC/CHECK
638136	19	5-1-08	LDC/LDC
639191	20	03-11-09	GAE/GAE
C438639	21	04/05/2010	BGP/SDM

71xx xxxxC	71xx xxxxC,M
A. SEE PACKAGING MANUAL PAGE 2 FOR PACKAGING PROCEDURES: 1 MOTOR/CARTON: 32 MOTOR/SILAYER: 6 LAYER/S/PALLET: 192 MOTOR/S/PALLET. B. SEE DRAWING 8785 6079 SH, 1 FOR PALLET LAYOUT. C. CENTER LABEL, 6122 5915, ON END OF CARTON. D. PLACE PAMPHLET, 6122 4579, IN CARTON WITH MOTOR.	

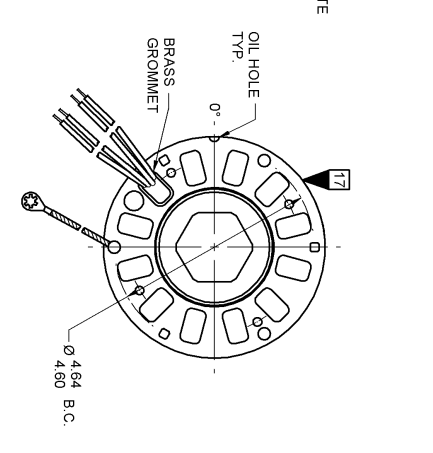
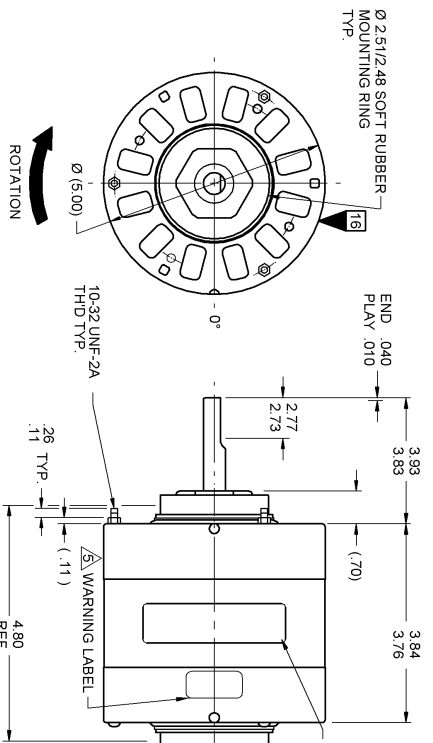
PRODUCTION TEST AT IDLE		PERFORMANCE TEST		115 VOLTS 60 HZ		1 PH		1/10 HP		BROKE					
AMP	WATT	RPM	AMP	WATT	OZ/IN	RPM	AMP	WATT	OZ/IN	AMP	OZ/IN				
2.97	— 2.43	167.2	— 136.8	HIGH	1179	2.7	152	101	1050	3.2	226	40	4.2	277	115
2.63	— 2.07	138.6	— 113.4	MED	1177	2.3	126	84	1050	2.7	188	33	3.5	226	96
2.09	— 1.71	116.6	— 95.4	LOW	1175	1.9	106	73	1050	2.3	161	28	3.0	190	82

HI-POT TEST 2000 VOLTS
MAX LEAKAGE CURRENT 5 mA

7151 0137 MA

OPPOSITE LEAD END

LEAD END



LEAD DATA: 18 GA, 4/64" INS, 105° C THERMO, WHITE, BLACK, BLUE AND RED LEADS 26.00"/24.00" LONG WITH .567"/44" STRIPS.
GROUND DATA: 18 GA, 2/64" INS, 105° C THERMO, GRN/VEL, 7.00"/6.00" LONG WITH A # 10 SERRATED RING TERMINAL.

▲ 6129 4832
SAFETY WARNING
This motor must be connected in accordance with the National Electrical Code and all other applicable codes. Do not bypass safety devices.

SPECIAL INSTRUCTIONS: SHAFT IS BONDZERIZED. PAMPHLET PACKED WITH MOTOR.

0046 4072

Fasco Industries, Inc. Motor Division

Assembled in Mexico
Model D160
115 V
1510131 60 Hz
Thermally Protected
1/10-1/12-1/15 HP
1050 RPM (3 SPD)

AO PH 1
Max Amb: 40°C
3-4-2-8-2-A-A

CONNECTION DIAGRAM
WHITE LINE
BLUE-MED LINE
RED-LOW LINE

61299553

LOCATE C OF NAMEPLATE ON C OF STATOR TO READ RIGHT FROM LEAD END OF MOTOR CENTER AT 0°.

SIZE 3.00 X .90

MOTORS PACKED MAX. PER SKID:	PALLET PACK: 192 CARTON PACK	
CUSTOMER:	FASCO DISTRIBUTING CO.	
PART NUMBER:	D160	
APPLICATION:	DIST. SALES	MOTOR TYPE
FINISH COLOR:	GRAY	SHADED POLE
MOTOR WEIGHT:	LBS.	B LA FR A S C E B A
ENVIRONMENT:	DRY	V 06 FN 7 5 0
INSULATION CLASS:	A	MOTOR NUMBER
		7151 0137
		REV. 21