

# PRODUCT INFORMATION PACKET

Model No: 056S17D2050  
Catalog No: D149  
1/2,1800,DP,56,1/60/115  
Fan and Blower



Regal and Marathon are trademarks of Regal Beloit Corporation or one of its affiliated companies.  
©2018 Regal Beloit Corporation, All Rights Reserved. MC017097E



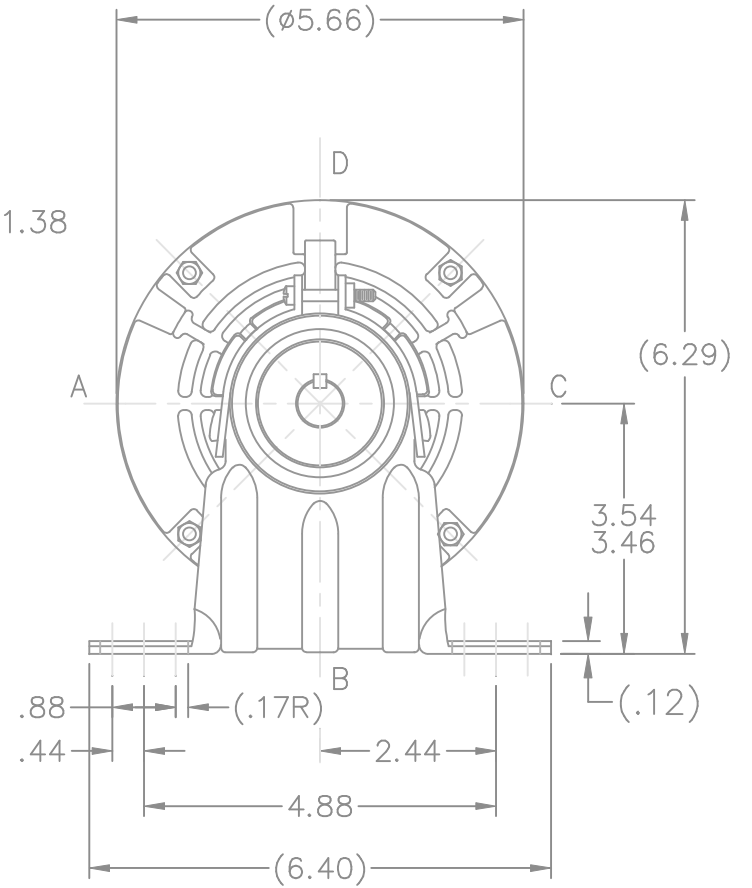
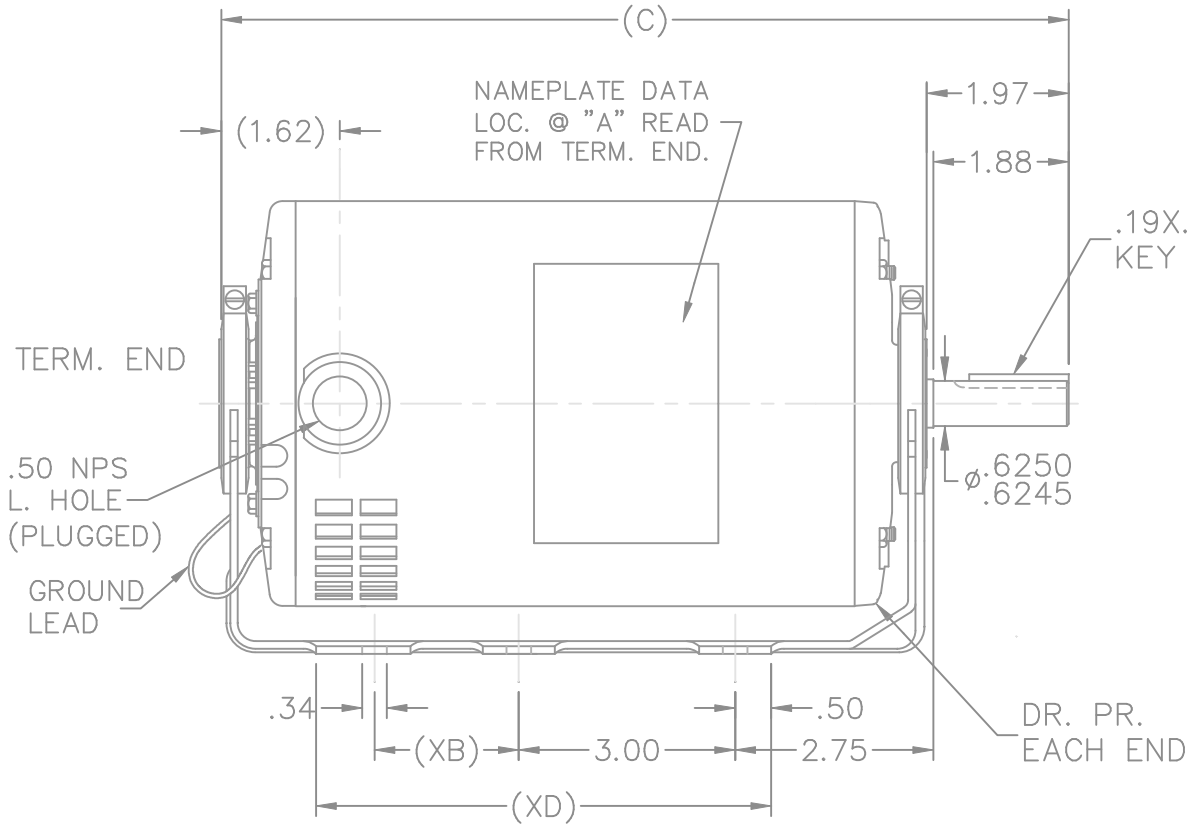


### Nameplate Specifications

Output HP	<b>0.50 Hp</b>	Output KW	<b>0.37 kW</b>
Frequency	<b>60 Hz</b>	Voltage	<b>115 V</b>
Current	<b>7.2 A</b>	Speed	<b>1725 rpm</b>
Service Factor	<b>1.25</b>	Phase	<b>1</b>
Efficiency	<b>66 %</b>	Duty	<b>Continuous</b>
Insulation Class	<b>B</b>	Design Code	<b>NO DESIGN CODE</b>
KVA Code	<b>L</b>	Frame	<b>56</b>
Enclosure	<b>Drip Proof</b>	Overload Protector	<b>Automatic</b>
Ambient Temperature	<b>40 °C</b>	Drive End Bearing Size	<b>6203</b>
Opp Drive End Bearing Size	<b>6203</b>	UL	<b>Recognized</b>
CSA	<b>Y</b>	CE	<b>Y</b>
IP Code	<b>22</b>		

### Technical Specifications

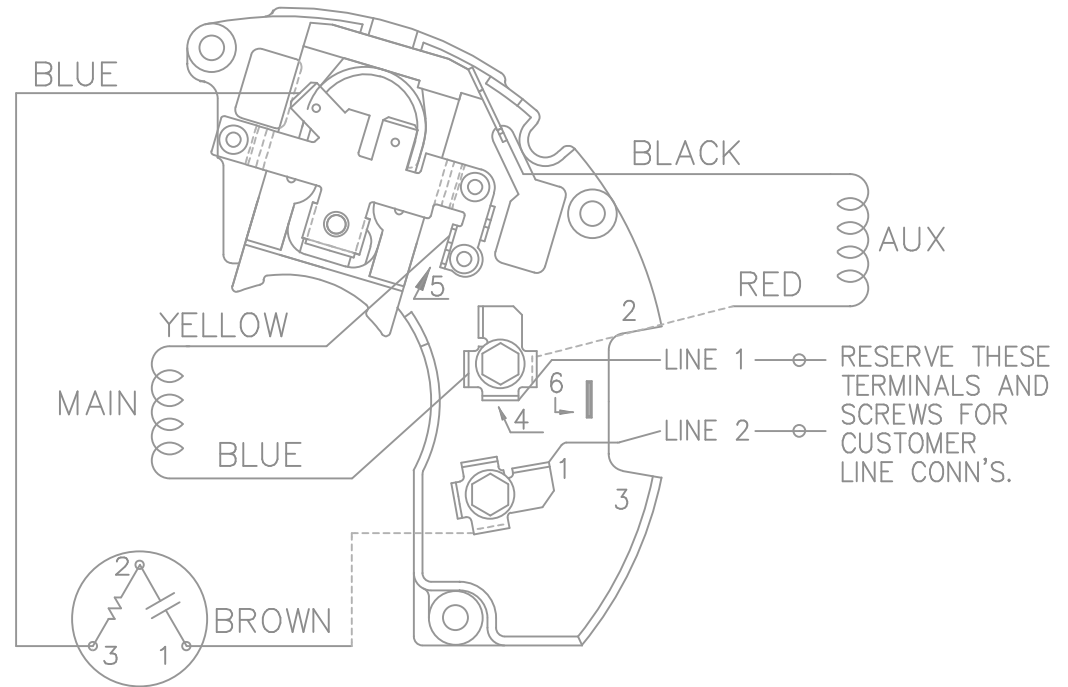
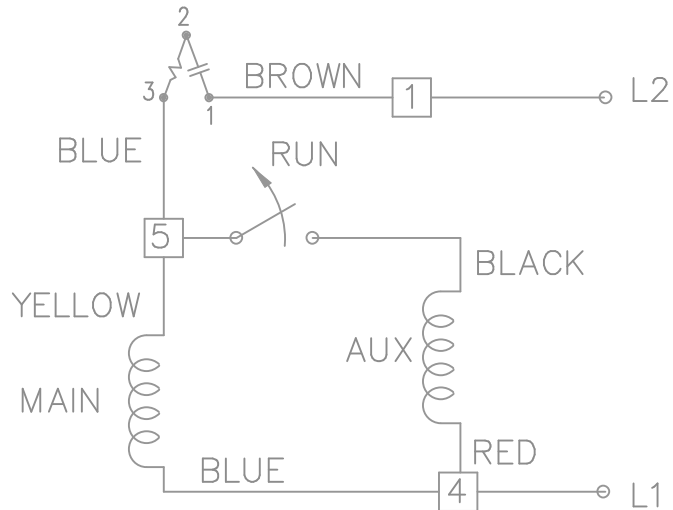
Electrical Type	<b>Split Phase</b>	Starting Method	<b>Across The Line</b>
Poles	<b>4</b>	Rotation	<b>Selective Counterclockwise</b>
Mounting	<b>Resilient Base</b>	Motor Orientation	<b>Horizontal</b>
Drive End Bearing	<b>Ball</b>	Opp Drive End Bearing	<b>Ball</b>
Frame Material	<b>Rolled Steel</b>	Shaft Type	<b>T</b>
Overall Length	<b>10.47 in</b>	Frame Length	<b>6.50 in</b>
Shaft Diameter	<b>0.625 in</b>	Shaft Extension	<b>1.97 in</b>
Assembly/Box Mounting	<b>F1 Only</b>		
Outline Drawing	<b>A-SS403611-650</b>	Connection Diagram	<b>A-EE7195</b>



DASH	XB	XD	C	DASH	XB	XD	C
600	0	4.50	9.97	750	2.00	6.00	11.47
650	0	5.00	10.47				
700	0	5.50	10.97	800	2.00	6.50	11.97

				TOLERANCES UNLESS SPECIFIED			DRAWN NB 06-12-2007	
				DEC.	INCHES		CHK VL 06-12-2007	
				.X	±.1		APPD VL 06-12-2007	
				.XX	±.03		SCALE 3=8	
				.XXX	±.005		REF SS75077	
				.XXXX	±.0005	FMF CN41440		
NO.	REVISION	BY & DATE	CHK	ANG	±7'30"	MAT'L.	PREV	
				RFP	06-12-2007	CAD FILE	ss403611	SIZE
				DIST	WP			DRAWING NO.
								SS403611
								PAGE
								OF
								REV.

SINGLE VOLTAGE – SPLIT PHASE  
 REVERSIBLE ON TERM BOARD  
 WITH OVERLOAD PROTECTION



VIEWING TERMINAL END

C.C.W. ROTATION SHOWN.

FOR C.W. ROTATION INTERCHANGE  
 YELLOW & BLUE LEADS ON TERM 5 & 4.

DASH LINES INDICATE LEADS CONNECTED  
 TO MOTOR SIDE OF SWITCH.

				TOLERANCES UNLESS SPECIFIED			DRAWN ML 01-27-1998	
				DEC.	INCHES		CHK	GK 02-05-1988
5	REDRAWN ON AUTOCAD	RWR 06-15-2004	ML	.X	± -	<b>TITLE CONNECTION DIAGRAM</b> 48 FR. SINGLE VOLTAGE REVERSIBLE  <b>MAT'L.</b>  <b>FINISH</b>	APPD	DRN 03-11-1988
4	REVERSED L1 AND L2 CN19709	AJS 01-16-1995	GK	.XX	± -		SCALE	1=1
3	REVISED LINE 2 LOCATION CN6427	RM 01-28-1991	GK	.XXX	± -		REF	
2	ADDED CUSTOMER CONNECTION NOTE CN6011	BW 08-03-1989	GK	.XXXX	± -		FMF	
NO.	REVISION	BY & DATE	CHK	ANG	± -		PREV	
THIS DRAWING IN DESIGN AND DETAIL IS OUR PROPERTY AND MUST NOT BE USED EXCEPT IN CONNECTION WITH OUR WORK ALL RIGHTS OF DESIGN AND INVENTION ARE RESERVED THIS IS AN ELECTRONICALLY GENERATED DOCUMENT – DO NOT SCALE THIS PRINT				RFP	CAD FILE ee7195		SIZE	DRAWING NO. PAGE 1 OF 1
				DIST	LB		A	EE7195 5

