

PRODUCT INFORMATION PACKET

FASCO®

Model No: D127
Catalog No: D127
1/40 HP Fan & Blower Motor, 1500 RPM, 115 Volts, 3.3" Diameter, Semi Enclosed
Self Cooled Motors



Regal and Fasco are trademarks of Regal Beloit Corporation or one of its affiliated companies.
©2019 Regal Beloit Corporation, All Rights Reserved. MC017097E

REGAL



Nameplate Specifications

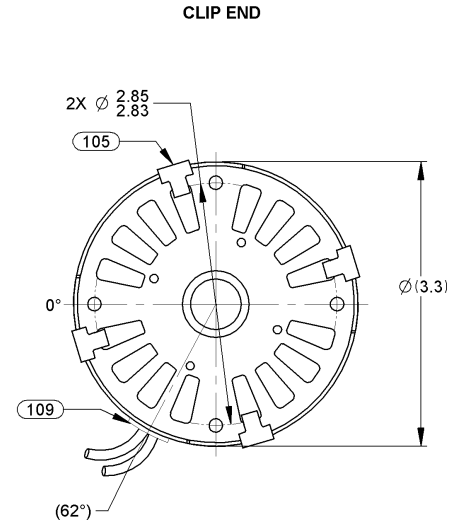
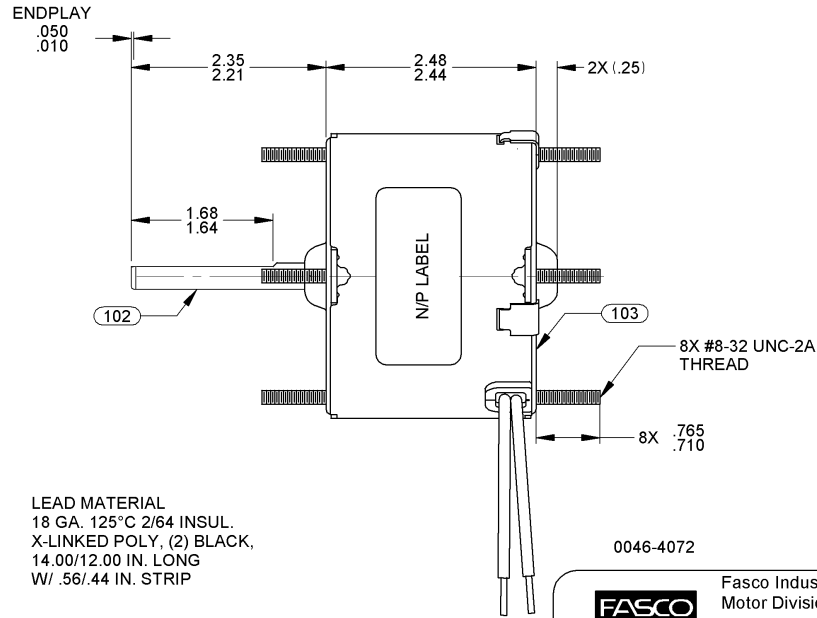
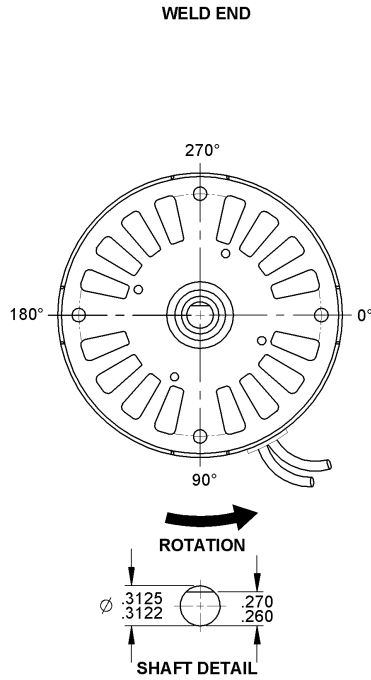
Output HP	1/40 Hp	Output KW	0.02 kW
Frequency	60 Hz	Voltage	115 V
Current	1.00 A	Speed	1500 rpm
Service Factor	1	Phase	1
Duty	Air Over	Insulation Class	B
Frame	3.3	Enclosure	Open Air Over
Thermal Protection	Thermally Protected	Ambient Temperature	40 °C
UL	Recognized	CSA	Y
CE	N		

Technical Specifications

Electrical Type	Shaded Pole	Starting Method	Across The Line
Poles	4	Rotation	Counterclockwise Shaft End
Mounting	Extended Studs	Drive End Bearing	Sleeve
Opp Drive End Bearing	Sleeve	Frame Material	Steel
Shaft Type	Flat	Overall Length	5.08 in
Frame Length	2.24 in	Shaft Diameter	0.313 in
Shaft Extension	2.30 in		

This is an uncontrolled document once printed or downloaded and is subject to change without notice. Date Created:29/10/2019

41	CHANGED LABEL LAYOUT	11/08/07	42	REMOVE BARCODE AND UPDATE NAMEPLATE	KSA 11-03-09	43	ADDED CARTON LABEL NOTES	4002695 MLM 7/20/11	STANDARD TOLERANCES: ANGULAR +/- 1 DEGREE 2 PLACE DECIMAL +/- .01 3 PLACE DECIMAL +/- .005
----	----------------------	----------	----	-------------------------------------	--------------	----	--------------------------	------------------------	-----------------------------------------------------------------------------------------------



NOTES:
1. NO PACKAGING TAPE OVER CARTON LABEL.

0046-4072
0046-4282

Fasco Industries, Inc.
Motor Division

Assembled in Mexico
No. 71631484 TYPE U63B1 T.P. AO LR6319
115 V 60 Hz Class B
1.0 A 1500 RPM 1/40 HP
Model D127 Max. Amb: 40°C

SAFETY WARNING
This Motor Must Be Grounded in Accordance With Local Or National Electrical Codes To Prevent Possible Injury Due To Electrical Shock

61299553

FRONT SHAFT POSITION		TYPICAL PERFORMANCE AT 115 VOLTS 60 Hz.											CUSTOMER: FASCO DIST.		FASCO MOTORS GROUP AC MOTOR/BLOWER DIVISION								
HORIZONTAL	MOTOR SPEED	IDLE			LOADED			LOCKED			BREAK	APPLICATION: COUNTER SALES	CONFIDENTIAL; DO NOT DUPLICATE OR DISCLOSE TO THIRD PARTIES WITHOUT WRITTEN PERMISSION OF FASCO MOTORS GROUP, AC MOTOR/BLOWER DIVISION.										
		R.P.M.	AMP.	WATT	IN.OZ.	R.P.M.	AMP.	WATT	IN.OZ.	AMP.	WATT		IN.OZ.	MOTOR TYPE					DRAWING NUMBER				
	UP	1750	1.09	61	20.1	1590	1.21	88	6.8	1.73	126	22.0	MOTOR WEIGHT: 2.53 POUNDS	SHADED POLE					7163 1484				
	DOWN												ENVIRONMENT: DRY	REV. 43									
CUSTOMER APPROVAL:													DRAWN BY: TAMMY JONES	B	LA	FR	A	S	C	E	B	A	REV.
SIGNED:													DATE DRAWN: NOVEMBER 8, 2001	00	63	30	V	03	AC	5	3	0	43
DATE:																							