

PRODUCT INFORMATION PACKET

FASCO®

Model No: D120
Catalog No: D120
1/70 HP Fan & Blower Motor, 1500 RPM, 115 Volts, 3.3" Diameter, Semi Enclosed
Self Cooled Motors



Regal and Fasco are trademarks of Regal Beloit Corporation or one of its affiliated companies.
©2019 Regal Beloit Corporation, All Rights Reserved. MC017097E

REGAL



Nameplate Specifications

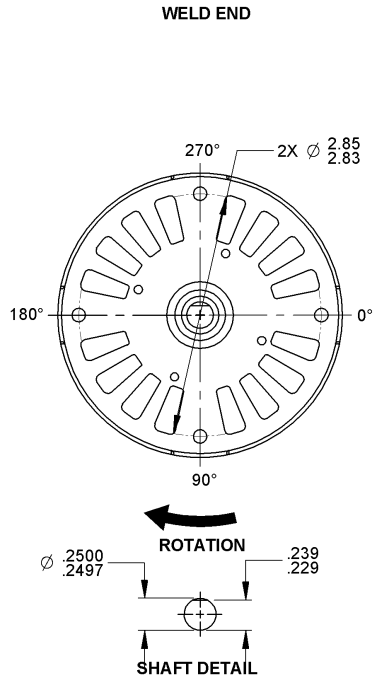
Output HP	1/70 Hp	Output KW	0.01 kW
Frequency	60 Hz	Voltage	115 V
Current	0.70 A	Speed	1500 rpm
Service Factor	1	Phase	1
Duty	Air Over	Insulation Class	B
Frame	3.3	Enclosure	Open Air Over
Thermal Protection	Thermally Protected	Ambient Temperature	40 °C
UL	Recognized	CSA	Y
CE	N		

Technical Specifications

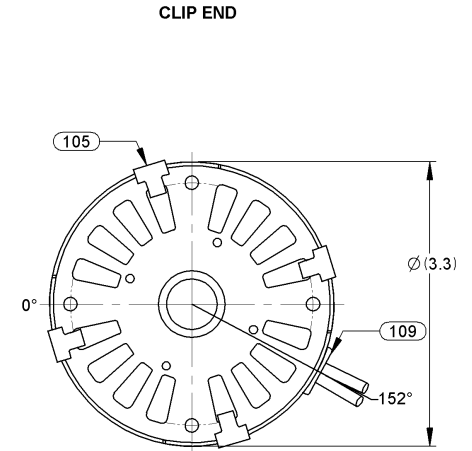
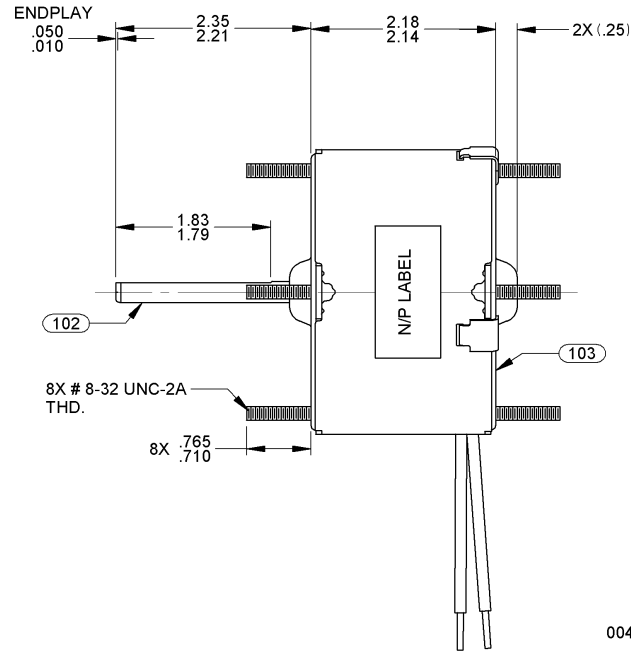
Electrical Type	Shaded Pole	Starting Method	Across The Line
Poles	4	Rotation	Clockwise Shaft End
Mounting	Extended Studs	Drive End Bearing	Sleeve
Opp Drive End Bearing	Sleeve	Frame Material	Steel
Shaft Type	Flat	Overall Length	4.78 in
Frame Length	1.95 in	Shaft Diameter	0.250 in
Shaft Extension	2.30 in		

This is an uncontrolled document once printed or downloaded and is subject to change without notice. Date Created:29/10/2019

54	CHANGED N/P FORMAT & UPDATED STANDARDS	PLA 01/24/08	55	REMOVED BARCODE FROM N/P & ADDED LR6319	PLA 11/04/09	56	ADDED CARTON LABEL NOTES	4002743 MLM 7/26/11	STANDARD TOLERANCES: ANGULAR +/- 1 DEGREE 2 PLACE DECIMAL +/- .01 3 PLACE DECIMAL +/- .005
----	--	--------------	----	---	--------------	----	--------------------------	------------------------	---



LEAD MATERIAL
18 GA. 125°C 2/64 INSUL.
X-LINKED POLY (2) BLACK,
14.00/12.00 IN. LONG
.56/.44 IN. STRIP



NOTES:
1. NO PACKAGING TAPE OVER CARTON LABEL.

0046-4072

0046-4282

FASCO	Fasco Industries, Inc. Motor Division			SAFETY WARNING
Assembled In Mexico	No. 71631516	TYPE U63B1	T.P. AO	<p>This Motor Must Be Grounded in Accordance With Local Or National Electrical Codes To Prevent Possible Injury Due To Electrical Shock</p>
115 V	0.7 A	60 Hz	1500 RPM	
Model D120			Class B	
Max Amb: 40°C			1/70 HP	
			LR6319	

61299553

FRONT SHAFT POSITION		TYPICAL PERFORMANCE AT 115 VOLTS 60 Hz.										CUSTOMER: FASCO DIST.		FASCO FASCO MOTORS GROUP AC MOTOR/BLOWER DIVISION							
HORIZONTAL	MOTOR SPEED	IDLE			LOADED			LOCKED			BREAK	PART NUMBER:	D120								
		R.P.M.	AMP.	WATT	IN.OZ.	R.P.M.	AMP.	WATT	IN.OZ.	AMP.	WATT	IN.OZ.	APPLICATION:	COUNTER SALES							
		1710	.65	42	9.7	1480	.69	52	5.3	97	79	12.1	MOTOR WEIGHT:	1.91 LBS							
													ENVIRONMENT:	DRY							
													FINISH COLOR:	BLACK							
													DRAWN BY:	M. MASON							
													DATE DRAWN:	11/10/06							
CUSTOMER APPROVAL:												MOTOR TYPE		DRAWING NUMBER							
SIGNED:												SHADED POLE		7163 1516							
DATE:												B	LA	FR	A	S	C	E	B	A	REV.
												00	63	30	V	01	OW	5	1	0	56