

PRODUCT INFORMATION PACKET

FASCO®

Model No: D1164
Catalog No: D1164
1/25 HP OEM Replacement Motor, 1550 RPM, 115/230 Volts, 3.3" Diameter, TEAO
HVAC/R OEM Replacement Motors



Regal and Fasco are trademarks of Regal Beloit Corporation or one of its affiliated companies.
©2019 Regal Beloit Corporation, All Rights Reserved. MC017097E

REGAL



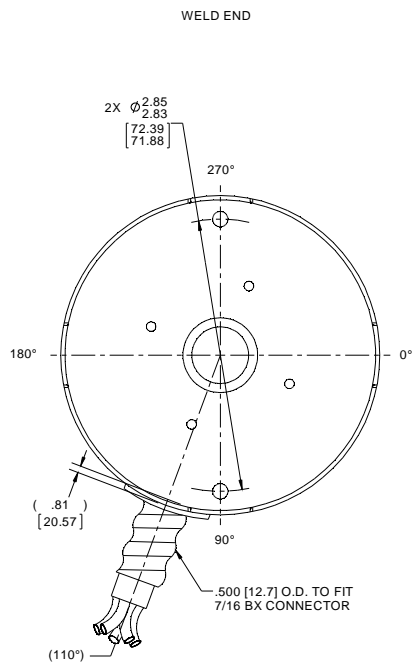
Nameplate Specifications

Output HP	1/25 Hp	Output KW	0.03 kW
Frequency	60 Hz	Voltage	115/230 V
Current	1.30/0.70 A	Speed	1550 rpm
Service Factor	1	Phase	1
Duty	Air Over	Insulation Class	B
Frame	3.3	Enclosure	Totally Enclosed
Thermal Protection	Thermally Protected	Ambient Temperature	40 °C
UL	Recognized	CSA	Y
CE	N		

Technical Specifications

Electrical Type	Shaded Pole	Starting Method	Across The Line
Poles	4	Rotation	Clockwise Shaft End
Mounting	Extended Studs	Drive End Bearing	Sleeve
Opp Drive End Bearing	Sleeve	Frame Material	Steel
Shaft Type	Flat	Overall Length	6.00 in
Frame Length	2.95 in	Shaft Diameter	0.313 in
Shaft Extension	2.5 in		

This is an uncontrolled document once printed or downloaded and is subject to change without notice. Date Created:29/10/2019



LEAD MATERIAL
 18 GA. 125°C 2/64 INSUL.
 X-LINKED POLY., WHITE, BLACK,
 BLUE, RED, YELLOW
 14.00/12.00 [355.60/304.80] IN. [mm] LONG
 .56/.44 [14.22/11.18] IN. [mm] STRIP

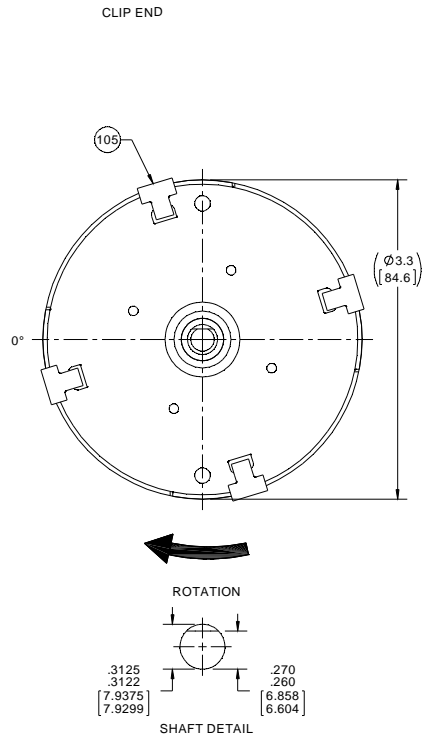
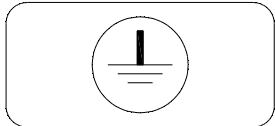
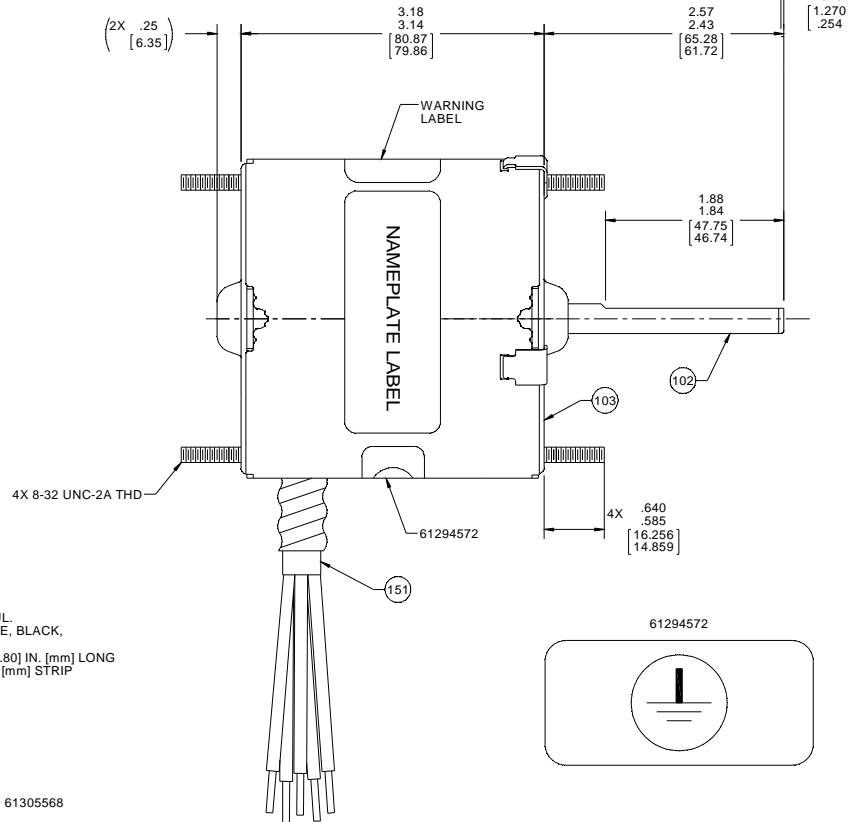
61305568

SAFETY WARNING
 This motor must be grounded in accordance with local or national electrical codes to prevent possible injury due to electrical shock

AVERTISSEMENT DE SÉCURITÉ
 Ce moteur doit être fondée sur conformément à la réglementation locale ou nationale électrique codes pour prévenir d'éventuelles blessures en raison de choc électrique

61294572

4X 8-32 UNC-2A THD



- NOTES:
1. PACK 210 MOTORS PER PALLET.
 2. NO PACKAGING TAPE OVER CARTON LABEL.

FASCO Fasco Industries, Inc. Motor Division

Assembled in Mexico

No. 71636478 TYPE U63B1 T.P. TEAO

115/230 V 60 Hz Class B

1.3/0.7 A 1550 RPM 1/25 HP

Model D1164 Max Amb: 40°C

LR6319

Connection Diagram

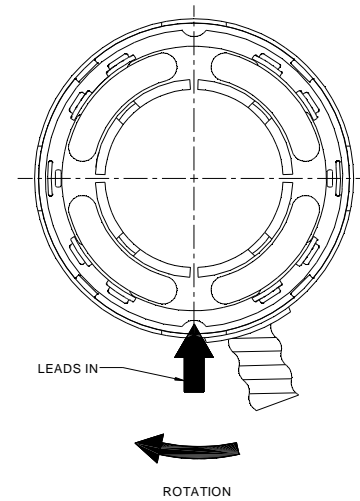
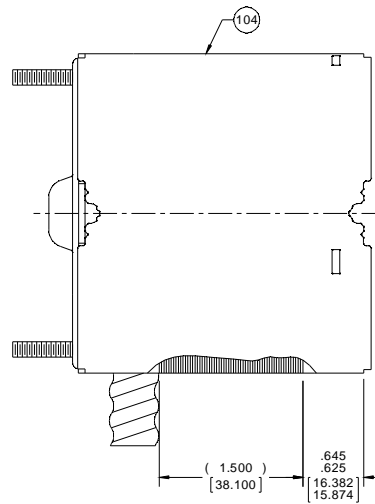
Blk	— Line	Blk	— Line
Blu	— Line	Blu	—
Wht	— Line	Wht	—
Red	— Line	Red	— Line
Yel	—	Yel	— Ins

CUSTOMER:	FASCO DIST.	APPLICATION:										
CUSTOMER PN:	D1164	MOTOR WEIGHT:	3.81 LBS.									
	UP	ENVIRONMENT:	DRY									
		MOTOR TYPE	REFERENCE SAMPLE									
		SHADED POLE										
		B LA FR A S C E B A										
		00 63 30 T 06 GE 5 3 0										
TYPICAL PERFORMANCE AT 115/230 VOLTS 60 HZ												
	IDLE			LOADED			LOCKED			BREAK		
MOTOR SPEED	RPM	AMP	WATT	IN OZ	RPM	AMP	WATT	IN OZ	AMP	WATT	IN OZ	
115V	1770	1.16	64	32.2	1550	1.42	102	10.0	2.09	138	27.1	
230V	1773	.57	63	32.3	1550	.71	102	9.5	1.05	139	30.0	
	4				3				2			

DRAWING REVISION AG	REVISION BY PLA	DATE 6/3/2015	TOLERANCES UNLESS OTHERWISE SPECIFIED: DEC. INCH MM ANGLE .X ±0.1 [±2.5] ±0.5° .XX ±0.01 [±0.25] .XXX ±0.005 [±0.127] .XXXX ±0.0005 [±0.0127] REMOVE BURRS & BREAK SHARP EDGES - .0031015 [0.076381] X 45° CORNER FILLETS: R.02 [51] MACHINED SURFACES: 1/25 3/2 INCH V mm mm SHOWN IN [BRACKETS]	DRAWN BY PLA	DATE 6/3/2015	DESCRIPTION MOTOR ASSY
ECO-0078137	APPROVED BY KSA	DATE 6/3/2015	REGAL BELLOIT AMERICA, INC. ALL RIGHTS RESERVED. PROPRIETARY AND CONFIDENTIAL INFORMATION. THIS DOCUMENT IS THE PROPERTY OF REGAL BELLOIT AMERICA, INC. (OWNER) AND CONTAINS OWNER'S PROPRIETARY INFORMATION. ANY PERSON, CORPORATION OR OTHER FIRM RECEIVING IT IS DEEMED, BY RECEIVING IT, TO AGREE THAT IT, AND/OR ANY PART OF IT, SHALL NOT BE DISCLOSED TO ANY PERSON, CORPORATION OR OTHER ENTITY, DUPLICATED, AND/OR USED, EXCEPT AS EXPRESSLY APPROVED IN WRITING IN ADVANCE BY OWNER. THIS DOCUMENT SHALL BE RETURNED TO OWNER UPON REQUEST. IT MAY BE SUBJECT TO CERTAIN RESTRICTIONS UNDER APPLICABLE EXPORT CONTROL LAWS AND REGULATIONS.	APPROVED BY KSA	DATE 6/3/2015	MATERIAL
			THIRD ANGLE PROJECTION	SIZE C	DRAWING NUMBER 71636478	PROCESS/FINISH BLACK
						SHEET 1 OF 2

WELD END

CLIP END



PACKING SPECIFICATIONS

1. PLACE ONE FOAM RING ON BACK END OF MOTOR, AND ONE FILLER TUBE OVER SHAFT EXTENSION. PACK MOTOR IN CARTON LEADS DOWN. STUFF PAPER AROUND MOTOR TO PREVENT MOVEMENT DURING SHIPMENT. CLOSE FLAPS AND TAPE. PLACE CARTON LABEL ON END OF CARTON THAT HAS SHAFT THAT HAS END OF MOTOR WHEN PACKED.
2. PACK 1 PER CARTON, 35 PER LAYER, 6 LAYERS PER PALLET, 210 MAX. PER PALLET PER P.S. 88834200.
3. CARTON LABELS MUST ALL FACE ONE DIRECTION TOWARD THE OPEN END OF THE PALLET, PER P.S. 88834408.

DRAWING REVISION AG	REVISION BY PLA	DATE 6/3/2015	TOLERANCES UNLESS OTHERWISE SPECIFIED: DEC. INCH mm ANGLE .X ±0.1 [±2.5] ±0.5° .XX ±0.01 [±0.25] .XXX ±0.005 [±0.127] .XXXX ±0.0005 [±0.0127] REMOVE BURRS & BREAK SHARP EDGES: .0031[.0762] X 45° CORNER FILLETS: R.02 [51] MACHINED SURFACES: 125/32 INCH V mm V mm SHOWN IN [BRACKETS]	DRAWN BY PLA	DATE 6/3/2015	DESCRIPTION MOTOR ASSY
ECO-0078137	APPROVED BY KSA	DATE 6/3/2015	REGAL BELLOIT AMERICA, INC. ALL RIGHTS RESERVED. PROPRIETARY AND CONFIDENTIAL INFORMATION. THIS DOCUMENT IS THE PROPERTY OF REGAL BELLOIT AMERICA, INC. (OWNER) AND CONTAINS OWNER'S PROPRIETARY INFORMATION. ANY PERSON, CORPORATION OR OTHER FIRM RECEIVING IT IS DEEMED, BY RECEIVING IT, TO AGREE THAT IT, AND/OR ANY PART OF IT, SHALL NOT BE DISCLOSED TO ANY PERSON, CORPORATION OR OTHER ENTITY, DUPLICATED, AND/OR USED, EXCEPT AS EXPRESSLY APPROVED IN WRITING IN ADVANCE BY OWNER. THIS DOCUMENT SHALL BE RETURNED TO OWNER UPON REQUEST. IT MAY BE SUBJECT TO CERTAIN RESTRICTIONS UNDER APPLICABLE EXPORT CONTROL LAWS AND REGULATIONS.	APPROVED BY KSA	DATE 6/3/2015	PROCESS/FINISH BLACK
ECO DESCRIPTION REDRAWN ON SW - ADDED GROUND LABEL			THIRD ANGLE PROJECTION	SIZE C	DRAWING NUMBER 71636478	SHEET 2 OF 2

4

3

2

1