

PRODUCT INFORMATION PACKET

FASCO®

Model No: D1160
Catalog No: D1160
1/100 HP OEM Replacement Motor, 1550 RPM, 115 Volts, 3.3" Diameter, TEAO
HVAC/R OEM Replacement Motors



Regal and Fasco are trademarks of Regal Beloit Corporation or one of its affiliated companies.
©2019 Regal Beloit Corporation, All Rights Reserved. MC017097E

REGAL



Nameplate Specifications

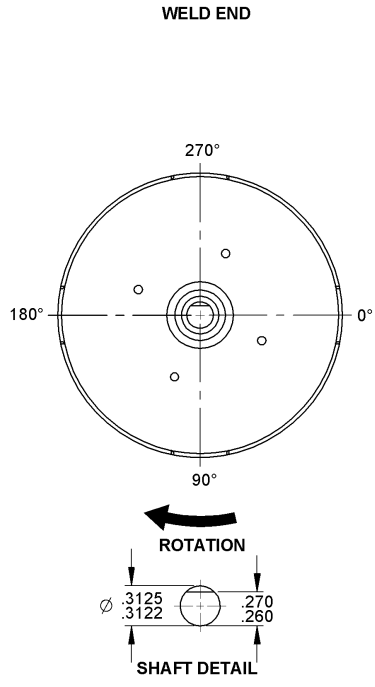
Output HP	1/100 Hp	Output KW	0.01 kW
Frequency	60 Hz	Voltage	115 V
Current	0.60 A	Speed	1550 rpm
Service Factor	1	Phase	1
Duty	Air Over	Insulation Class	B
Frame	3.3	Enclosure	Totally Enclosed Air Over
Thermal Protection	Impedence	Ambient Temperature	40 °C
UL	No	CSA	N
CE	N		

Technical Specifications

Electrical Type	Shaded Pole	Starting Method	Across The Line
Poles	4	Rotation	Clockwise Shaft End
Mounting	Extended Studs	Drive End Bearing	Sleeve
Opp Drive End Bearing	Sleeve	Frame Material	Steel
Shaft Type	Flat	Overall Length	4.07 in
Frame Length	1.95 in	Shaft Diameter	0.313 in
Shaft Extension	1.60 in		

This is an uncontrolled document once printed or downloaded and is subject to change without notice. Date Created:29/10/2019

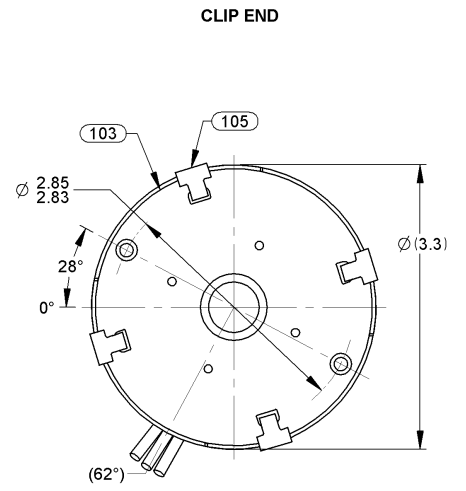
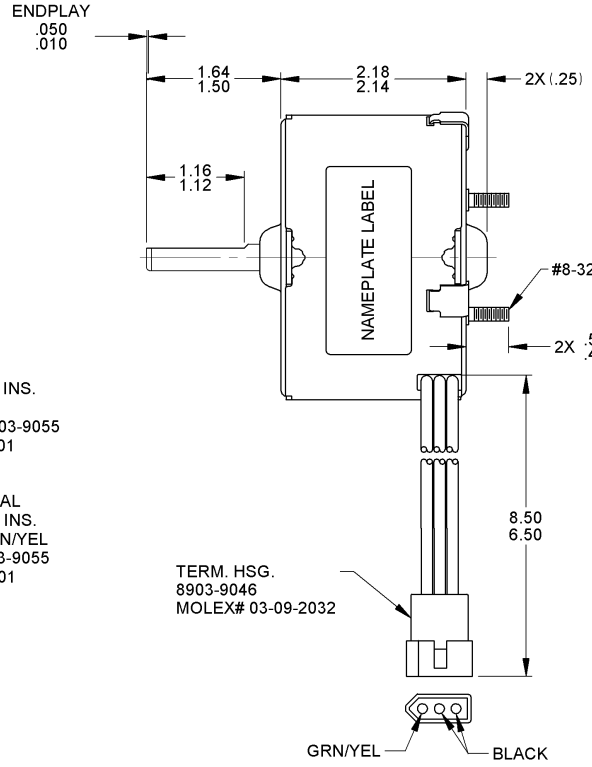
07	REVISED TO NEW N/P FORMAT	01/22/08	08	REMOVED BARCODE & ADDED LR6319 TO NAMEPLATE	PLA 11/03/09	09	REVISED PACKING AND ADDED CARTON LABEL NOTES	4004950 MLM 03/15/12	STANDARD TOLERANCES: ANGULAR +/- 1 DEGREE 2 PLACE DECIMAL +/- .01 3 PLACE DECIMAL +/- .005
----	---------------------------	----------	----	---	--------------	----	--	-------------------------	---



LEAD MATERIAL
18 GA. 125°C 3/64 INS.
EPDM, BLACK
W/PIN TERMS. 8903-9055
MOLEX# 02-09-2101

GROUND MATERIAL
18 GA. 125°C 2/64 INS.
X-LINK POLY., GRN/YEL
W/PIN TERM. 8903-9055
MOLEX# 02-09-2101

TERM. HSG.
8903-9046
MOLEX# 03-09-2032



0046-4072
0046-4282

Fasco Industries, Inc.
Motor Division

Assembled in Mexico

No. 71639322	TYPE 6322581	Z.P. TEAO
115 V	60 Hz	Class B
0.6 A	1550 RPM	1/100 HP
Model D1160		Max Amb: 40°C

LR6319

SAFETY WARNING

This Motor Must Be Grounded in Accordance With Local Or National Electrical Codes To Prevent Possible Injury Due To Electrical Shock

61299553

NOTES:
270 MAX. MOTORS PER PALLET.
NO PACKAGING TAPE OVER CARTON LABEL.

FRONT SHAFT POSITION		TYPICAL PERFORMANCE AT 115 VOLTS 60 Hz.										CUSTOMER: FASCO DIST.		FASCO MOTORS GROUP AC MOTOR/BLOWER DIVISION									
HORIZONTAL	MOTOR SPEED	IDLE			LOADED			LOCKED			BREAK	PART NUMBER: D1160	CONFIDENTIAL; DO NOT DUPLICATE OR DISCLOSE TO THIRD PARTIES WITHOUT WRITTEN PERMISSION OF FASCO MOTORS GROUP, AC MOTOR/BLOWER DIVISION.										
		R.P.M.	AMP.	WATT	IN.OZ.	R.P.M.	AMP.	WATT	IN.OZ.	AMP.	WATT	IN.OZ.	APPLICATION: BATH VENT	MOTOR TYPE		DRAWING NUMBER							
		1684	.56	40	6.0	1550	.58	47	6.5	.75	69	10.7	MOTOR WEIGHT: 2.07 LBS. <td colspan="2">SHADED POLE</td> <td>7163 9322</td>	SHADED POLE		7163 9322							
CUSTOMER APPROVAL:													ENVIRONMENT: DRY	REV.									
SIGNED:													DRAWN BY: V. LEONARD	B	LA	FR	A	S	C	E	B	A	09
DATE:													DATE DRAWN: FEBRUARY 5,2003	00	63	30	T	01	OY	9	3	0	