

PRODUCT INFORMATION PACKET

FASCO®

Model No: D107
Catalog No: D107
1/160-1/120 HP Fan & Blower Motor, 600 RPM, 208-240 Volts, 3.3" Diameter, OAO
Self Cooled Motors



Regal and Fasco are trademarks of Regal Beloit Corporation or one of its affiliated companies.
©2019 Regal Beloit Corporation, All Rights Reserved. MC017097E

REGAL



Nameplate Specifications

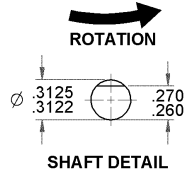
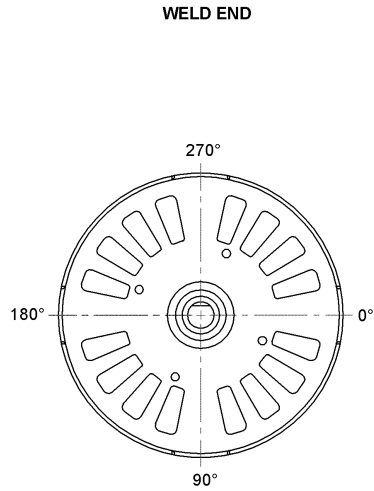
Output HP	1/160 - 1/120 Hp	Output KW	0.01 kW
Frequency	60 Hz	Voltage	208-240 V
Current	0.50 A	Speed	600 rpm
Service Factor	1	Phase	1
Duty	Air Over	Insulation Class	B
Frame	3.3	Enclosure	Open Air Over
Thermal Protection	Thermally Protected	Ambient Temperature	40 °C
UL	Recognized	CSA	Y
CE	N		

Technical Specifications

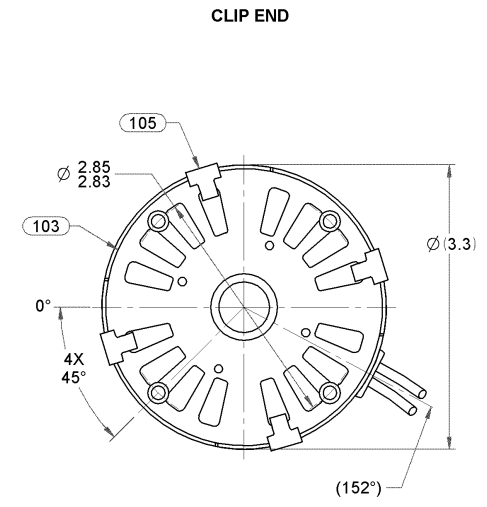
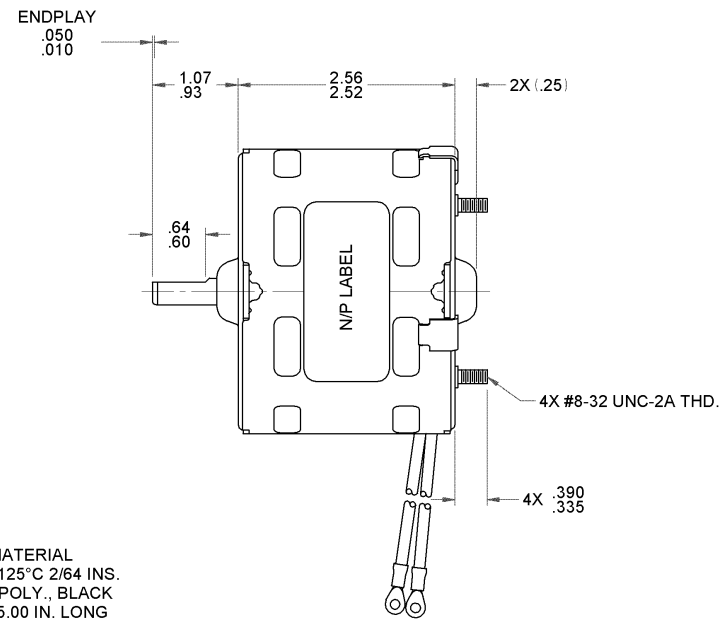
Electrical Type	Shaded Pole	Starting Method	Across The Line
Poles	12	Rotation	Counterclockwise Shaft End
Mounting	Extended Studs	Drive End Bearing	Sleeve
Opp Drive End Bearing	Sleeve	Frame Material	Steel
Shaft Type	Flat	Overall Length	3.88 in
Frame Length	2.32 in	Shaft Diameter	0.313 in
Shaft Extension	1.00 in		

This is an uncontrolled document once printed or downloaded and is subject to change without notice. Date Created:29/10/2019

07	REVISED TO NEW N/P FORMAT	01/23/08	08	REMOVE BAR CODE FROM NAMEPLATE.	SDM 08/09/10	09	REVISED HP ON LABEL	4011068	SD 12/19/2013	ANGULAR +/- 1 DEGREE	STANDARD TOLERANCES: 2 PLACE DECIMAL +/- .01	3 PLACE DECIMAL +/- .005
----	---------------------------	----------	----	---------------------------------	--------------	----	---------------------	---------	---------------	----------------------	---	--------------------------



LEAD MATERIAL
18 GA. 125°C 2/64 INS.
X-LINK POLY., BLACK
17.00/15.00 IN. LONG
W/RING TERM. 8902-0155
AMP# 2-32949-1



0046-4072

0046-4282

FASCO Fasco Industries, Inc. Motor Division
Assembled in Mexico

No. 71730291	TYPE U73B1	T.P. AO	LR6319
208-240 V	60 Hz	Class B	
0.5 A	600 RPM	1/160-1/120 HP	
Model D107		Oil with SAE 20	
Max Amb: 40°C			

SAFETY WARNING
This Motor Must Be Grounded in Accordance With Local Or National Electrical Codes To Prevent Possible Injury Due To Electrical Shock

61299553

- NOTES:
1. PACK 270 MOTORS MAX PER PALLET.
2. NO PACKAGING TAPE OVER CARTON LABEL.

FRONT SHAFT POSITION		* TYPICAL PERFORMANCE AT 208-240 VOLTS 60 Hz.											CUSTOMER: FASCO DIST.		FASCO FASCO MOTORS GROUP AC MOTOR/BLOWER DIVISION			
HORIZONTAL	MOTOR SPEED	IDLE			LOADED			LOCKED			BREAK	PART NUMBER: D107	CONFIDENTIAL; DO NOT DUPLICATE OR DISCLOSE TO THIRD PARTIES WITHOUT WRITTEN PERMISSION OF FASCO MOTORS GROUP, AC MOTOR/BLOWER DIVISION.					
		R.P.M.	AMP.	WATT	IN.OZ.	R.P.M.	AMP.	WATT	IN.OZ.	AMP.	WATT	IN.OZ.	MOTOR TYPE		DRAWING NUMBER			
	208 V	1702	.34	42	10.4	600	.49	75	7.5	.50	78	14.1	APPLICATION: HEATER	SHADED POLE 7173 0291				
	240 V	1718	.39	53	14.3	600	.57	97	13.6	.59	105	19.3	MOTOR WEIGHT: 2.91 LBS.					
CUSTOMER APPROVAL:													ENVIRONMENT: DRY					
SIGNED:													FINISH COLOR: BLACK					
DATE:													DRAWN BY: S. DALTON					
													DATE DRAWN: 12-19-2001					
				B	LA	FR	A	S	C	E	B	A	REV.					
				00	73	30	V	03	GY	5	3	0	09					

If Printed, this is an Uncontrolled Document.