

PRODUCT INFORMATION PACKET



Model No: D1056
Catalog No: D1056
1/2 HP Fan & Blower Motor, 1075 RPM, 3 Speed, 208-230 Volts, 48 Frame, OAO
Direct Drive Motors



Regal and Century are trademarks of Regal Beloit Corporation or one of its affiliated companies.
©2020 Regal Beloit Corporation, All Rights Reserved. MC017097E





Nameplate Specifications

Output HP	1/2 Hp	Output KW	0.37 kW
Frequency	60 Hz	Voltage	208-230 V
Current	3.6 A	Speed	1075 rpm
Service Factor	1	Phase	1
Duty	Air Over	Insulation Class	B
Frame	48	Enclosure	Open Enclosed
Thermal Protection	Automatic	Ambient Temperature	40 °C
UL	Recognized	CSA	Y
CE	N		

Technical Specifications

Electrical Type	Permanent Split Capacitor	Starting Method	Across The Line
Poles	6	Rotation	Reversible
Mounting	Resilient Rings	Motor Orientation	Horizontal
Drive End Bearing	Sleeve	Opp Drive End Bearing	Sleeve
Frame Material	Rolled Steel	Shaft Type	Flat
Overall Length	9.86 in	Frame Length	4.25 in
Shaft Diameter	0.500 in	Shaft Extension	4.5 in
Connection Drawing	614131-151	Outline Drawing	D1056-S01

This is an uncontrolled document once printed or downloaded and is subject to change without notice. Date Created:06/11/2020

GENERAL INFORMATION:

SHAFT RUNOUT: .001[.03] T.I.R. PER INCH LENGTH OF EXTENSION

END PLAY: .010[.25] TO .063[1.60]

BEARINGS: SLEEVE

MOUNTING POSITION: HORIZONTAL

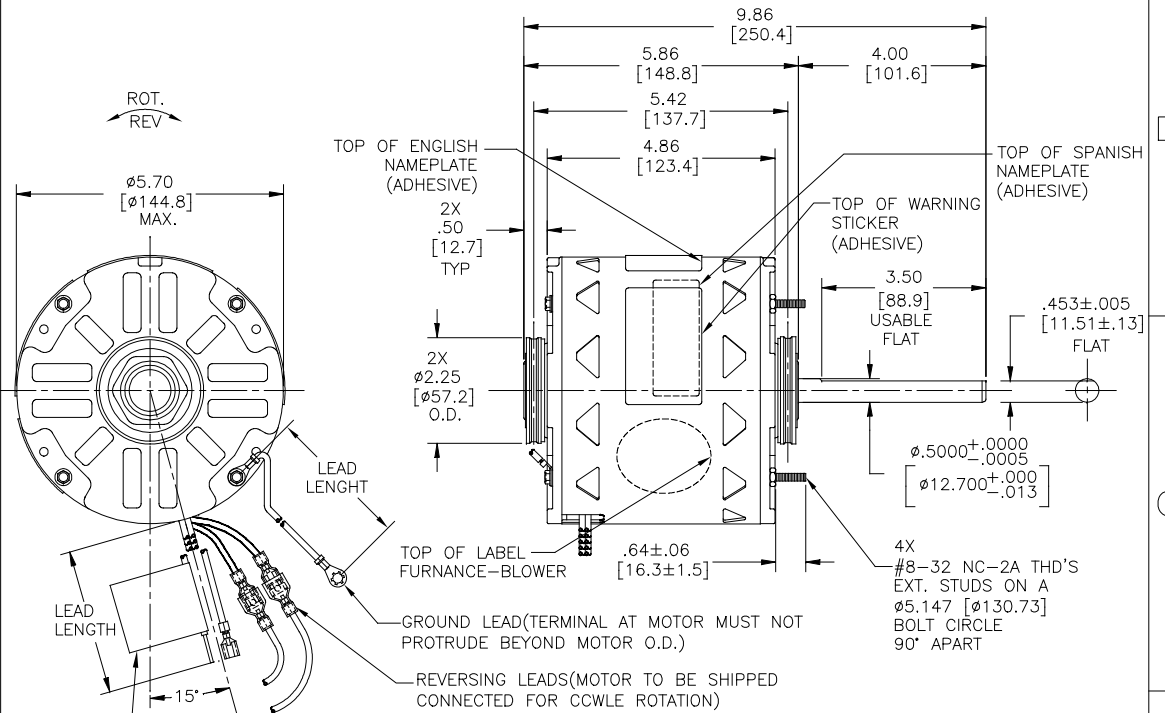
ELECTRICAL DATA:

OVERLOAD PROTECTOR: AUTOMATIC RESET (SENSATA 7AM 036)

LINE LEADS: NO. 18 GA., .03[.8] THK., XLP 125°C INSUL.

REVERSING LEADS: NO. 18 GA., .03[.8] THK., XLP 125°C INSUL.

GROUND LEADS: NO. 18 GA., .03[.8] THK., (GREEN) INSUL.



SEE NOTES 2

LEAD DATA		
COLOR	LENGTH	TERMINAL OR STRIP LENGTH
RED	25.0/27.0 [635/686]	.60[15.2] SKIN
BLUE	25.0/27.0 [635/686]	.60[15.2] SKIN
BLACK	25.0/27.0 [635/686]	.60[15.2] SKIN
WHITE	25.0/27.0 [635/686]	.60[15.2] SKIN
BROWN/WHITE	25.0/27.0 [635/686]	.25[6.4] FEMALE SPADE
BROWN	25.0/27.0 [635/686]	.25[6.4] FEMALE SPADE
BROWN (REV)	4.0/6.0 [102/152]	.25[6.4] PER-INSUL. FEMALE SPADE
ORANGE (REV)	4.0/6.0 [102/152]	.25[6.4] PER-INSUL. FEMALE SPADE
PURPLE (REV)	4.0/6.0 [102/152]	.25[6.4] PER-INSUL. FEMALE SPADE
WHITE (REV)	4.0/6.0 [102/152]	.25[6.4] PER-INSUL. FEMALE SPADE
GREEN (GRD)	9.0/11.0 [229/279]	10# EYELET

NOTES:

1. SPLIT RING ADAPTOR 615035 (4 REQ'D) TO BE PACKED WITH EACH MOTOR.
2. ATTACH WARNING/CONNECTION LABEL TO COMMON (WHITE) LEAD APPROX. 2.0[51] FROM MOTOR (ADHESIVE).
3. THE SYMBOL OF CTQ: ▲ (NO CTQ ON THIS DRAWING).
4. MEET THE REQUIREMENT OF RoHS & REACH, SEE EPO00014_5.1.

REGAL-BELOIT CORPORATION (RBC) PROVIDES TECHNICAL ASSISTANCE TO OUR CUSTOMERS IN SEVERAL AREAS. SINCE RBC DOES NOT RECEIVE ALL DATA CONCERNING THE USE AND APPLICATION OF THE MOTOR, THE SUITABILITY OF THE MOTOR FOR THE APPLICATION MUST BE DETERMINED BY THE CUSTOMER.

DIMENSIONS WITHOUT TOLERANCES ARE FOR REFERENCE ONLY.

ENCLOSURE		
END FRAME - LE		OPEN
MAIN FRAME - LE		OPEN
END FRAME - OLE		OPEN
MAIN FRAME - OLE		OPEN

CUSTOMER	DISTRIBUTION SERVICES
----------	-----------------------

NAMEPLATE DATA:	EXTERNAL CONNECTION DIAGRAM
MODEL: F48H06A01 CUST. P/N: D1056 HP: 1/2 ROT: REVERSIBLE RPM: 1075/3 SPD TYPE: UF FRAME: 48 VOLTS: 208-230 PH: 1 AMPS: 3.6 HZ: 60 INS: B AMB: 40 °C DUTY: AIR OVER CODE: - CAP.: 7.5 MFD/370V ENCL: OPEN UL LOGO CSA LOGO THERMALLY PROTECTED	<p>BROWN SEP. CAP.</p> <p>BROWN/W</p> <p>WHITE</p> <p>BLACK HI LINE</p> <p>BLUE MED</p> <p>RED LO</p> <p>ROTATION</p> <p>PURPLE WHITE</p> <p>BROWN ORANGE</p> <p>CCWLE</p> <p>PURPLE ORANGE</p> <p>BROWN CWLE WHITE</p> <p>D0000607-001</p>

PERFORMANCE CURVE NO.	TORQUE @ RPM (25°C)	APPROVED SAMPLE	UL COMPONENT	CSA
FILE #	CCN #	FILE #	CLASS #	
C0000986	50.6 OZ. FT.	OER-0009973B	E46412	PRGY2 LR43341 4211-01

DRAWING REVISION BY: J	REVISION BY: CADDIE.ZHOU	DATE: 03-11-2020
ECCO-0182883	APPROVED BY: KEYUN.GONG	DATE: 03-11-2020
ECCO DESCRIPTION: ADD SPANISH NAMEPLATE AND NOTES 3&4.		
COPYRIGHT REGAL-BELOIT AMERICA, INC. ALL RIGHTS RESERVED. PROPRIETARY AND CONFIDENTIAL INFORMATION - THIS DOCUMENT IS THE PROPERTY OF REGAL-BELOIT AMERICA, INC. (CONTRACT) AND CONTAINS OWNERS PROPRIETARY INFORMATION. ANY REPRODUCTION, COPIATION OR OTHER FIRM RECEIVING IT IS DENIED. BY RECEIVING IT, TO AGREE THAT IT, AND/OR ANY PART OF IT, SHALL NOT BE DISCLOSED TO ANY PERSON, CORPORATION OR OTHER ENTITY, SUPPLIER, AND/OR USER, EXCEPT AS EXPRESSLY APPROVED IN WRITING BY OWNERS. THIS DOCUMENT SHALL BE RETURNED TO OWNER UPON REQUEST. IT MAY BE SUBJECT TO CERTAIN RESTRICTIONS UNDER APPLICABLE EXPORT CONTROL LAWS AND REGULATIONS.		

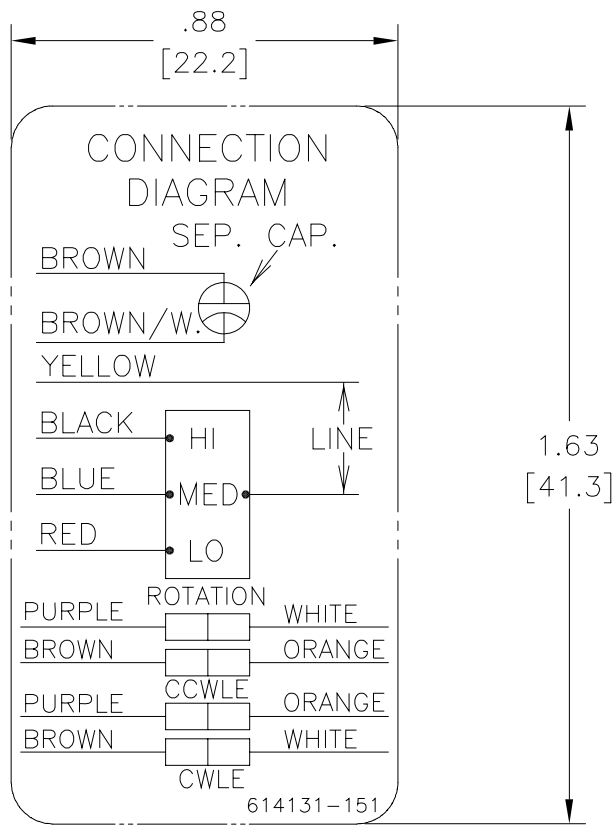
DRAWN BY: A. CHEN	DATE: 08-02-2012	DESCRIPTION: MODEL-RFHP-48FR OUTLINE
APPROVED BY: B. SHEN	DATE: 08-02-2012	MATERIAL: -
PROCESS/FINISH: -	SIZE: C	DWG NO: D1056
THIRD ANGLE PROJECTION		SHEET: 1

Uncontrolled Copy

REV	ECO	REV BY	DATE	APPD	DATE
C	0016999	A. NAJERA	03-17-2011	M. ARGUELLES	03-17-2011

NOTES:

1. FOR USE WITH 614129 NAMEPLATE BLANK
2. - - - - - INDICATES DIMENSIONAL LIMITS.
3. DIE TO BE MADE FROM MASTER SUPPLIED BY A.O. SMITH CORP.
4. DIE MUST PRODUCE A LEGIBLE IMPRESSION.



GEOMETRIC CHARACTERISTICS & SYMBOLS

- FLATNESS
- STRAIGHTNESS
- ANGULARITY
- PERPENDICULARITY (SQUARENESS)
- PARALLELISM
- ROUNDNESS (CIRCULARITY)
- CYLINDRICITY
- PROFILE OF ANY SURFACE
- PROFILE OF ANY LINE
- RUNOUT
- TRUE POSITION
- CONCENTRICITY
- SYMMETRY

UNLESS OTHERWISE SPECIFIED
 DIM. TOLERANCES ARE AS FOLLOWS:
 X XX XXX XXXX
 INCH ±.1 ±.02 ±.005 ±.0005
 mm ±0.5 ±0.13 ±0.013
 ANG. ±.50 DEG
 REMOVE BURRS & BREAK SHARP EDGES:
 INCH .003-.015 mm 0.1-0.4
 CORNER FILLETS TO:
 INCH .020 mm 0.5
 MACHINE SURFACES:
 INCH 125 mm 3.2
 METRIC DIMS. SHOWN IN [BRACKETS]

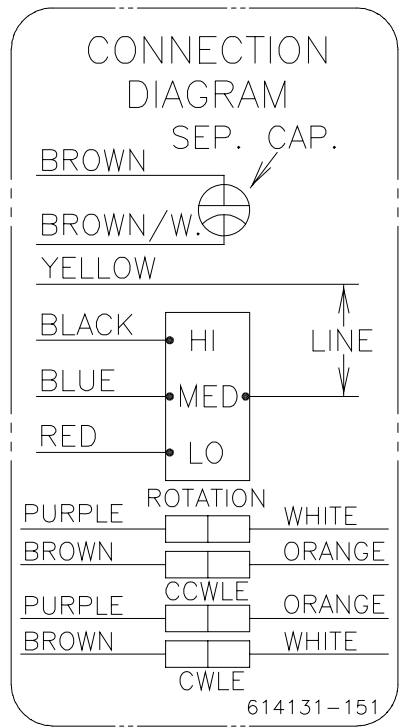
DR BY:	JMW	09-29-89
APPD:		
THIRD ANGLE PROJECTION		EDS DATE 02-22-2008 FORMAT REV F
CONFIDENTIAL: THIS DRAWING AND ITS INFORMATION ARE THE EXCLUSIVE AND CONFIDENTIAL PROPERTY OF A.O. SMITH CORP. AND ARE NOT TO BE DISCLOSED, DUPLICATED, DISTRIBUTED OR OTHERWISE USED WITHOUT THE WRITTEN CONSENT OF A.O. SMITH CORP. -ALL RIGHTS RESERVED. ASME Y14.5M 1994		

		ELECTRICAL PRODUCTS COMPANY <small>A DIVISION OF A. O. SMITH CORPORATION</small>
DESCRIPTION CONN DIAGRAM NAMEPLATE		
SIZE A	DWG NO 614131-151	
SCALE NONE		SHEET 1

REVISION:	ECO	REVISADO POR:	FECHA:	APROBADO POR:	FECHA:
C	0016999	A. NAJERA	03-17-2011	M. ARGUELLES	03-17-2011

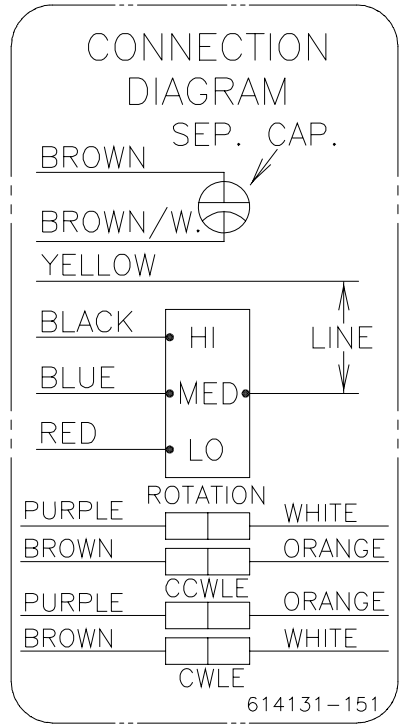
NOTAS:

1. PARA USAR CON LA PLACA DE DATOS BLANCA 614129
2. — — — — INDICA LOS LIMITES DIMENSIONALES.
3. EL DADO ES HECHO A PARTIR DEL ABASTECIMIENTO MAESTRO POR A.O. SMITH CORP.
4. EL DADO TIENE QUE SER FABRICADO CON UNA IMPRESION LEGIBLE.



CARACTERISTICAS DE GEOMETRIA Y SIMBOLOS Z PLANICIDAD — RECTITUD ∠ ANGULARIDAD ⊥ PERPENDICULARIDAD (A ESCUADRA) // PARALELISMO ○ REDONDEZ (CIRCULARIDAD) ∅ CILINDRICIDAD △ PERFIL DE CUALQUIER SUPERFICIE ∩ PERFIL DE CUALQUIER LINEA / VARIACION ⊕ POSICION REAL ⊙ CONCENTRICIDAD = SIMETRIA	A MENOS QUE SE ESPECIFIQUE DE OTRA MANERA, LAS TOLERANCIAS DE LAS DIMS; SON LAS SIGUIENTES: PULG ±.1 ±.02 ±.005 ±.0005 mm ±0.5 ±0.13 ±0.013 ANG. ±.50 GRADOS ELIMINAR REBABAS Y ORILLAS FILOSAS DEL BORDE. PULG .003-.015 mm 0.1-0.4 FILETEAR ESQUINA: PULG .020 mm 0.5 MAQUINAR SUPERFICIES PULG 125 mm 3.2 DIMS METRICAS MOSTRADAS [PARENTESIS]	DIBUJADO POR: JMW 09-29-89	<p>ELECTRICAL PRODUCTS COMPANY A DIVISION OF A. O. SMITH CORPORATION</p>	
	APROBADO POR:	FECHA EDS: 02-22-2008 REV. FORMATO: F		DESCRIPCION: CONN DIAGRAM NAMEPLATE
	TERCER ANGULO DE PROYECCION	TAMAÑO: A NUMERO DE DIBUJO: 614131-151		ESCALA: NONE HOJA: 1
	CONFIDENCIAL: ESTE DIBUJO Y SU INFORMACION SON PROPIEDAD DE USO EXCLUSIVO Y CONFIDENCIAL DE A.O.SMITH CORP. Y NO DEBERAN SER REVELADOS, DUPLICADOS, DISTRIBUIDOS O USARSE DE OTRA MANERA SIN EL CONSENTIMIENTO ESCRITO DE A.O. SMITH CORP. -TODOS LOS DERECHOS RESERVADOS.ASME Y14.5M 1994			

版本	ECO	编制	日期	批准	日期
C	0016999	A. NAJERA	03-17-2011	M. ARGUELLES	03-17-2011



- 形位公差
- 平面度
- 直线度
- ∠ 倾斜度
- ⊥ 垂直度
- ∥ 平行度
- 圆度
- ⊘ 圆柱度
- ⊖ 面轮廓度
- ⊖ 线轮廓度
- ⊖ 圆跳动
- ⊖ 位置度
- ⊖ 同轴度
- ⊖ 对称度

除另有注明
尺寸公差如下:

英寸	X	XX	XXX	XXXX
毫米	±.1	±.02	±.005	±.0005
毫米	±0.5	±0.13	±0.013	

角度 ±.50 度
清理毛刺和尖棱
英寸 .003-.015 毫米 0.1-0.4

内圆角
英寸 .020 毫米 0.5
表面粗糙度
英制 125 米制 3.2

米制尺寸显示在 []

绘图:	JMW	09-29-89
批准:		
第三角投影		图纸格式发布日期 02-22-2008 图纸格式版本 F
机密: 本图纸及相关信息所有权归A. O. SMITH公司所有。 未经A. O. SMITH公司书面授权, 不得泄露、复制、传播或作 其他用途。一版权所有		
ASME Y14.5M 1994		

ELECTRICAL PRODUCTS COMPANY <small>A DIVISION OF A. O. SMITH CORPORATION</small>	
名称 CONN DIAGRAM NAMEPLATE	
图幅 A	图号 614131-151
比例 NONE	页号 1