

PRODUCT INFORMATION PACKET



Model No: D1026
Catalog No: D1026
1/4 HP Fan & Blower Motor, 1075 RPM, 3 Speed, 208-230 Volts, 48 Frame, OAO
Direct Drive Motors



Regal and Century are trademarks of Regal Beloit Corporation or one of its affiliated companies.
©2020 Regal Beloit Corporation, All Rights Reserved. MC017097E





Nameplate Specifications

Output HP	1/4 Hp	Output KW	0.19 kW
Frequency	60 Hz	Voltage	208-230 V
Current	2.0 A	Speed	1075 rpm
Service Factor	1	Phase	1
Duty	Air Over	Insulation Class	B
Frame	48	Enclosure	Open Enclosed
Thermal Protection	Automatic	Ambient Temperature	40 °C
UL	Recognized	CSA	Y
CE	N		

Technical Specifications

Electrical Type	Permanent Split Capacitor	Starting Method	Across The Line
Poles	6	Rotation	Reversible
Mounting	Resilient Rings	Motor Orientation	Horizontal
Drive End Bearing	Sleeve	Opp Drive End Bearing	Sleeve
Frame Material	Rolled Steel	Shaft Type	Flat
Overall Length	9.11 in	Frame Length	3.50 in
Shaft Diameter	0.500 in	Shaft Extension	4.5 in
Connection Drawing	D0000607-001	Outline Drawing	D1026-S01

This is an uncontrolled document once printed or downloaded and is subject to change without notice. Date Created:10/09/2020

GENERAL INFORMATION:

SHAFT RUNOUT: .001[.03] T.I.R. PER INCH LENGTH OF EXTENSION

END PLAY: .010 TO .063[.25 TO 1.60]

BEARINGS: SLEEVE

MOUNTING POSITION: HORIZONTAL

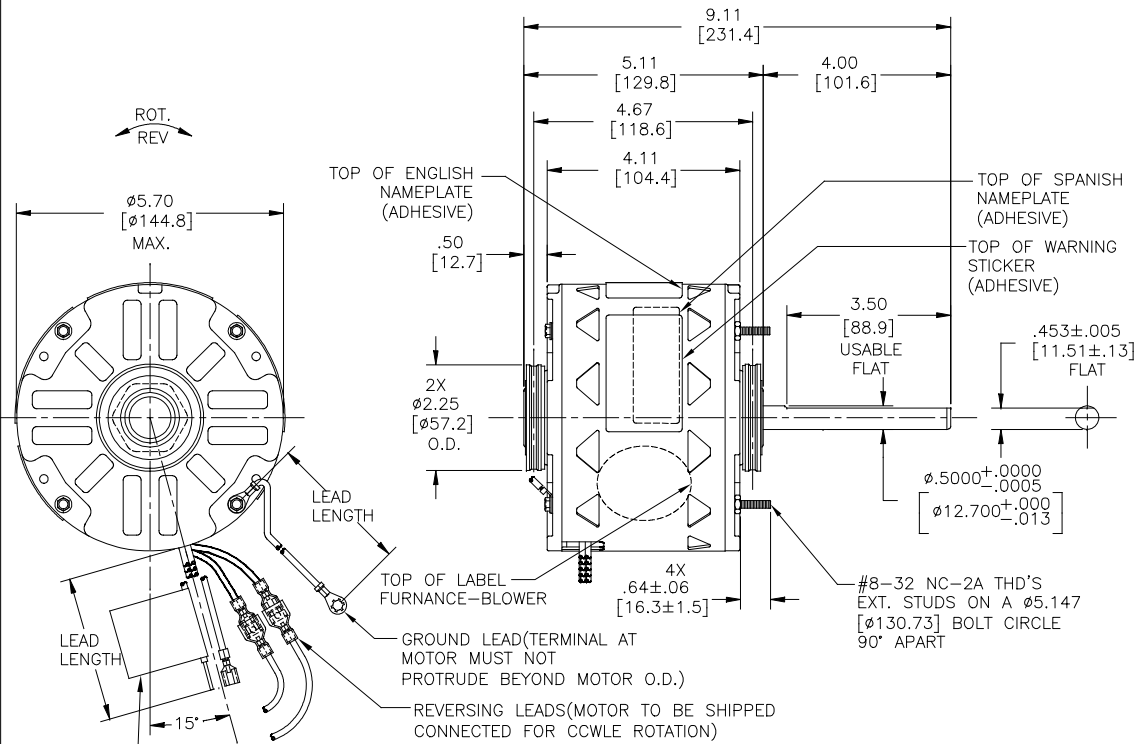
ELECTRICAL DATA:

OVERLOAD PROTECTOR: AUTOMATIC RESET (SENSATA 7AM 036)

LEADS: NO. 18 GA., .03[.8] THK., XLP 125°C INSUL.

REVERSING LEADS: NO. 18 GA., .03[.8] THK., XLP 125°C INSUL.

GROUND LEAD: NO. 18 GA., .03[.8] THK., (GREEN) INSUL.



SEE NOTES 2

LEAD DATA		
COLOR	LENGTH	TERMINAL OR STRIP LENGTH
RED	25.0/27.0 [635/686]	.60[15.2] SKIN
BLUE	25.0/27.0 [635/686]	.60[15.2] SKIN
BLACK	25.0/27.0 [635/686]	.60[15.2] SKIN
WHITE	25.0/27.0 [635/686]	.60[15.2] SKIN
BROWN/WHITE	25.0/27.0 [635/686]	.25[6.4] FEMALE SPADE
BROWN	25.0/27.0 [635/686]	.25[6.4] FEMALE SPADE
BROWN (REV)	4.0/6.0[102/152]	.25[6.4] PRE-INSUL. FEMALE SPADE
ORANGE(REV)	4.0/6.0[102/152]	.25[6.4] PRE-INSUL. FEMALE SPADE
PURPLE(REV)	4.0/6.0[102/152]	.25[6.4] PRE-INSUL. FEMALE SPADE
WHITE (REV)	4.0/6.0[102/152]	.25[6.4] PRE-INSUL. FEMALE SPADE
GREEN (GRD)	9.0/11.0 [229/279]	10# EYELET

NOTES:

1. SPLIT RING ADAPTOR 615035 (4 REQ'D) TO BE PACKED WITH EACH MOTOR.
2. ATTACH WARNING/CONNECTION LABEL TO COMMON (WHITE) LEAD APPROX. 2.0[51] FROM MOTOR (ADHESIVE).
3. THE SYMBOL OF CTQ: ▲ (NO CTQ ON THIS DRAWING).
4. MEET THE REQUIREMENT OF RoHS & REACH, SEE EP000014_5.1.

ENCLOSURE	
END FRAME - LE	OPEN
MAIN FRAME - LE	OPEN
END FRAME - OLE	OPEN
MAIN FRAME - OLE	OPEN

REGAL-BELOIT CORPORATION (RBC) PROVIDES TECHNICAL ASSISTANCE TO OUR CUSTOMERS IN SEVERAL AREAS. SINCE RBC DOES NOT RECEIVE ALL DATA CONCERNING THE USE AND APPLICATION OF THE MOTOR, THE SUITABILITY OF THE MOTOR FOR THE APPLICATION MUST BE DETERMINED BY THE CUSTOMER.

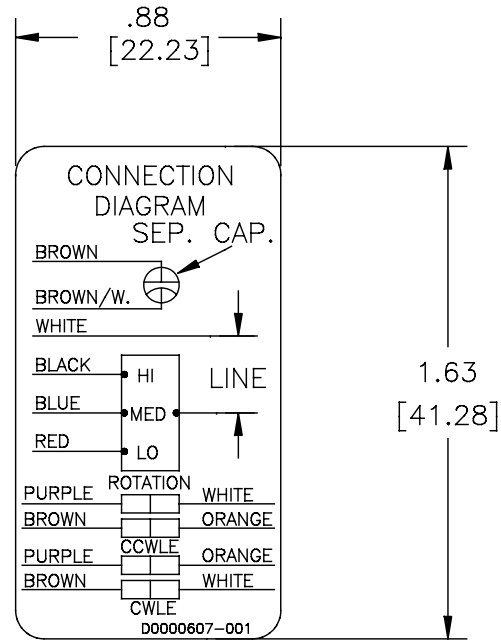
DIMENSIONS WITHOUT TOLERANCES ARE FOR REFERENCE ONLY.

CUSTOMER DISTRIBUTION SERVICES

NAMEPLATE DATA:	EXTERNAL CONNECTION DIAGRAM														
MODEL: F48AE38A01 CUST. P/N: D1026 HP: 1/4 ROT: REVERSIBLE RPM: 1075/3 SPD TYPE: UF FRAME: 48 VOLTS: 208-230 PH: 1 AMPS: 2.0 HZ: 60 INS: B AMB: 40°C DUTY: AIR OVER CODE: - CAP.: 5 MFD/370V ENCL: OPEN UL LOGO CSA LOGO THERMALLY PROTECTED															
<table border="1"> <thead> <tr> <th>PERFORMANCE CURVE NO.</th> <th>TORQUE @ 1075 RPM (25°C)</th> <th>APPROVED SAMPLE</th> <th>UL COMPONENT FILE #</th> <th>CCN #</th> <th>FILE #</th> <th>CSA CLASS #</th> </tr> </thead> <tbody> <tr> <td>C0000780</td> <td>25.8 OZ.FT.</td> <td>X-0002749</td> <td>E46412</td> <td>PRGY2</td> <td>LR43341</td> <td>4211-01</td> </tr> </tbody> </table>	PERFORMANCE CURVE NO.	TORQUE @ 1075 RPM (25°C)	APPROVED SAMPLE	UL COMPONENT FILE #	CCN #	FILE #	CSA CLASS #	C0000780	25.8 OZ.FT.	X-0002749	E46412	PRGY2	LR43341	4211-01	D0000607-001
PERFORMANCE CURVE NO.	TORQUE @ 1075 RPM (25°C)	APPROVED SAMPLE	UL COMPONENT FILE #	CCN #	FILE #	CSA CLASS #									
C0000780	25.8 OZ.FT.	X-0002749	E46412	PRGY2	LR43341	4211-01									

DRAWING REVISION BY: ECO	REVISION BY: CADDIE.ZHOU	DATE: 03-11-2020
ECO-0182883	APPROVED BY: KEYUN.GONG	DATE: 03-11-2020
ADD SPANISH NAMEPLATE AND NOTES 3&4.		
<small>COPYRIGHT REGAL-BELOIT AMERICA, INC. ALL RIGHTS RESERVED. PROPRIETARY AND CONFIDENTIAL INFORMATION - THIS DOCUMENT IS THE PROPERTY OF REGAL-BELOIT AMERICA, INC. (OWNER) AND CONTAINS OWNER'S PROPRIETARY INFORMATION. ANY REPRODUCTION, COPIATION OR OTHER USE WITHOUT THE WRITTEN PERMISSION OF REGAL-BELOIT AMERICA, INC. IS STRICTLY PROHIBITED. BY RECEIVING IT, TO AGREE THAT IT, AND/OR ANY PART OF IT, SHALL NOT BE DISCLOSED TO ANY PERSON, CORPORATION OR OTHER ENTITY, SUPPLIER, AND/OR USER, EXCEPT AS EXPRESSLY APPROVED IN WRITING ADVANCE BY OWNER. THIS DOCUMENT SHALL BE RETURNED TO OWNER UPON REQUEST. IT MAY BE SUBJECT TO CERTAIN RESTRICTIONS UNDER APPLICABLE EXPORT CONTROL LAWS AND REGULATIONS.</small>		

DRAWN BY: J. ZHU	DATE: 02-20-2013	APPROVED BY: B. SHEN	DATE: 02-20-2013	PROCESS/FINISH: -	THIRD ANGLE PROJECTION	SIZE: C	DWG NO: D1026	SHEET: 1
Regal Beloit America, Inc.				MODEL-RFHP-48FR OUTLINE				



NOTES:

1. FOR USE WITH 614129 NAMEPLATE BLANK
2. _____ INDICATES DIMENSIONAL LIMITS.
3. DIE MUST PRODUCE A LEGIBLE IMPRESSION.

DRAWING REVISION A	REVISION BY G.ZHAO	DATE 08-19-2015	TOLERANCES UNLESS OTHERWISE SPECIFIED	DRAWN BY: G.ZHAO	Regal Beloit America, Inc.		
ECO 0083498	APPROVED BY C.ZHANG	DATE 08-19-2015	DEC. INCH mm ANGLE	DATE: 08-19-2015			
ECO DESCRIPTION NEW DRAWING			.X ±0.1 [±2.5] ±0.5°	APPROVED BY: C.ZHANG	DESCRIPTION CONN DIAGRAM-NAMEPLATE		
COPYRIGHT REGAL BELOIT AMERICA, INC. ALL RIGHTS RESERVED. PROPRIETARY AND CONFIDENTIAL INFORMATION - THIS DOCUMENT IS THE PROPERTY OF REGAL BELOIT AMERICA, INC. ("OWNER") AND CONTAINS OWNER'S PROPRIETARY INFORMATION. ANY PERSON, CORPORATION OR OTHER FIRM RECEIVING IT IS DEEMED, BY RECEIVING IT, TO AGREE THAT IT, AND/OR ANY PART OF IT, SHALL NOT BE DISCLOSED TO ANY PERSON, CORPORATION OR OTHER ENTITY, DUPLICATED, AND/OR USED, EXCEPT AS EXPRESSLY APPROVED IN WRITING IN ADVANCE BY OWNER. THIS DOCUMENT SHALL BE RETURNED TO OWNER UPON REQUEST. IT MAY BE SUBJECT TO CERTAIN RESTRICTIONS UNDER APPLICABLE EXPORT CONTROL LAWS AND REGULATIONS.			.XX ±0.02 [±0.51]	DATE: 08-19-2015			
						.XXX ±0.005 [±0.127]	REFERENCE
			.XXXX ±0.0005 [±0.0127]	THIRD ANGLE PROJECTION	SIZE	DWG NO	SHEET
			REMOVE BURRS & BREAK SHARP EDGES .003/.015 [0.076/.381]		A	D0000607-001	1
			CORNER FILLETS .02 [.51]				
			MACHINED SURFACES				
			mm SHOWN IN [BRACKETS]				