

# PRODUCT INFORMATION PACKET

Model No: 5KCR49SN0150X

Catalog No: C1160

1.5 HP General Purpose Motor, 1 phase, 1800 RPM, 115/208-230 V, 56H Frame, ODP  
Single Phase ODP Motors



### Nameplate Specifications

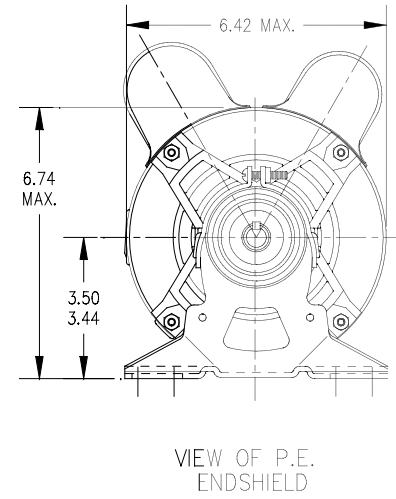
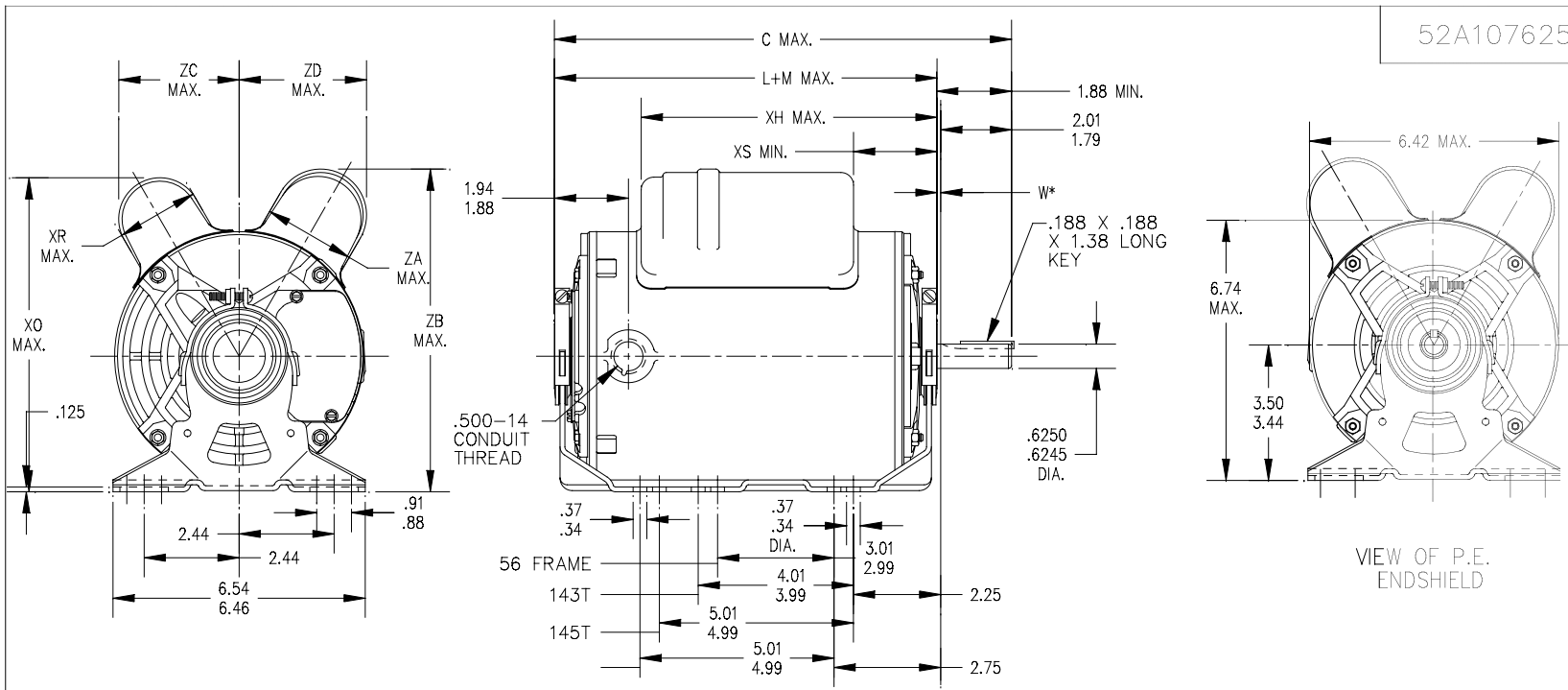
|                            |                |                        |               |
|----------------------------|----------------|------------------------|---------------|
| Output HP                  | 1.50 Hp        | Output KW              | 1.1 kW        |
| Frequency                  | 60 Hz          | Voltage                | 115/208-230 V |
| Current                    | 16.4,8.4-8.2 A | Speed                  | 1725 rpm      |
| Service Factor             | 1.15           | Phase                  | 1             |
| Efficiency                 | 77 %           | Power Factor           | 84.9          |
| Duty                       | Continuous     | Insulation Class       | B             |
| KVA Code                   | J              | Frame                  | 56H           |
| Enclosure                  | Drip Proof     | Thermal Protection     | AUTO          |
| Ambient Temperature        | 40 °C          | Drive End Bearing Size | 6205          |
| Opp Drive End Bearing Size | 6203           | UL                     | Recognized    |
| CSA                        | Yes            | CE                     | N             |

### Technical Specifications

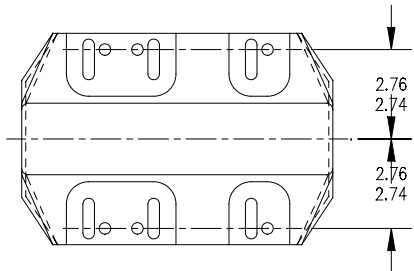
|                    |                               |                       |                            |
|--------------------|-------------------------------|-----------------------|----------------------------|
| Electrical Type    | Capacitor Start Capacitor Run | Starting Method       | SM                         |
| Poles              | 4                             | Rotation              | Counterclockwise/Clockwise |
| Mounting           | Resilient Base                | Motor Orientation     | ANY                        |
| Drive End Bearing  | BALL                          | Opp Drive End Bearing | Ball                       |
| Frame Material     | Rolled Steel                  | Overall Length        | 11.9 in                    |
| Frame Length       | 7.68 in                       | Shaft Diameter        | 0.630 in                   |
| Shaft Extension    | 1.88 in                       |                       |                            |
| Connection Drawing | 52A105383AC                   | Outline Drawing       | 52A107625P2                |

This is an uncontrolled document once printed or downloaded and is subject to change without notice. Date Created:03/11/2020

52A107625

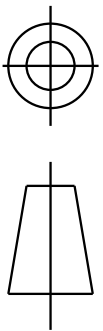


W\* IS A VARIABLE CLEARANCE DUE TO VARIATIONS IN PARTS AND ASSEMBLY.



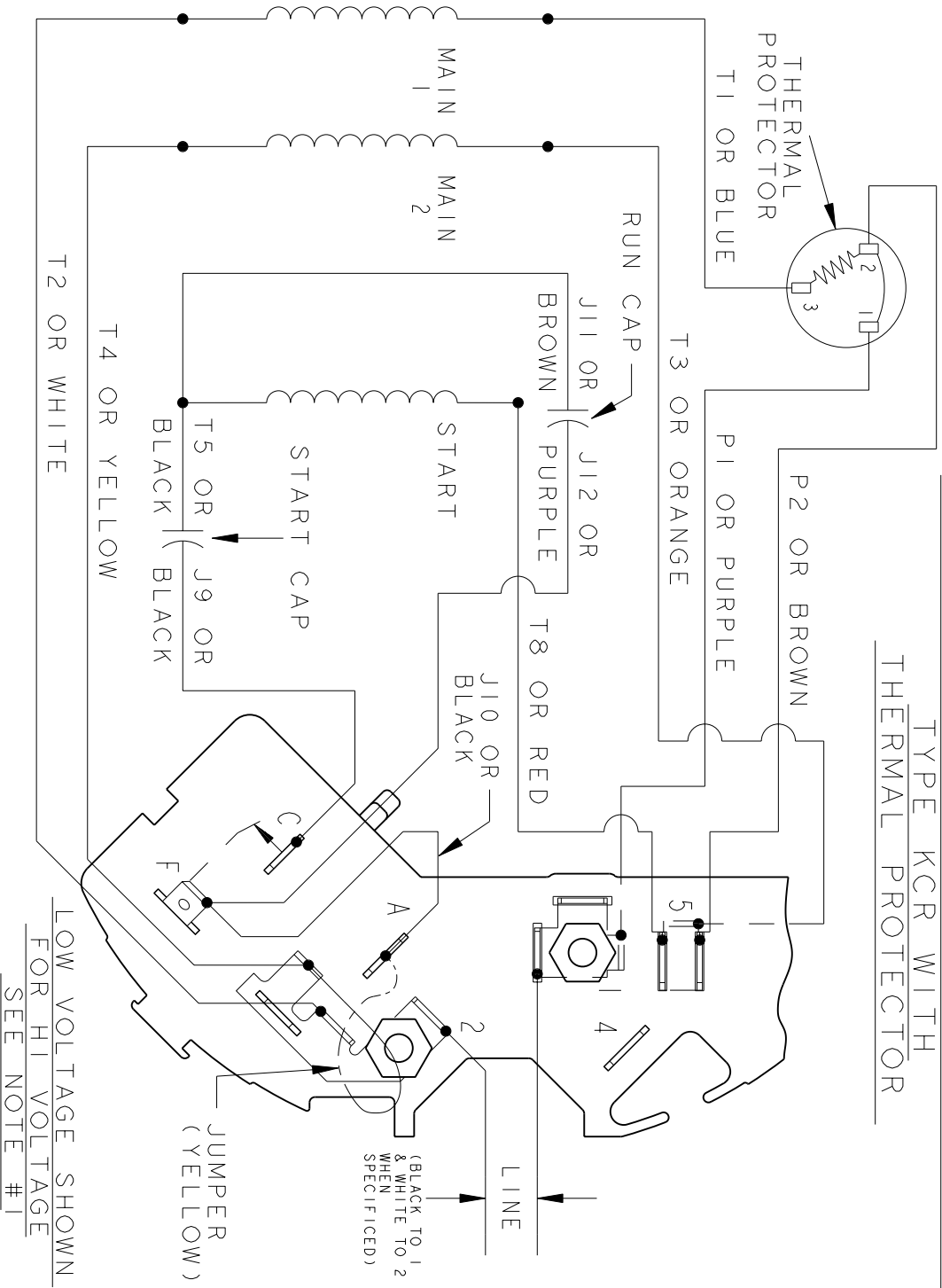
|   |      |         |         |       |       |       |      |      |      |      |      |      |      |            |
|---|------|---------|---------|-------|-------|-------|------|------|------|------|------|------|------|------------|
| 7 | KCR  | 49      | 56H     | 13.96 | 11.96 | 10.15 | 8.18 | 2.15 | 2.01 | 1.60 | 7.63 | 3.20 | 3.16 | 9.63       |
| 6 | KCR  | 49      | 56H     | 13.96 | 11.96 | 8.30  | 8.16 | 2.10 | 2.63 | 2.40 | 8.39 | 3.14 | 3.33 | 9.63       |
| 5 | KCR  | 49      | 56H     | 13.96 | 11.96 | 9.67  | 8.16 | 2.10 | 4.00 | 2.40 | 8.39 | 3.14 | 3.33 | 9.63       |
| 4 | KCR  | 48      | 56H     | 12.66 | 10.76 | 7.76  | 8.18 | 2.15 | 2.01 | 2.40 | 8.40 | 3.20 | 3.38 | 8.43       |
| 3 | KCR  | 48      | 56H     | 12.66 | 10.76 | 7.76  | 8.18 | 2.15 | 2.01 | 2.72 | 8.77 | 3.20 | 3.68 | 8.43       |
| 2 | KCR  | 49      | 56H     | 11.91 | 10.01 | 7.76  | 8.18 | 2.15 | 2.01 | 1.60 | 7.81 | 3.20 | 3.07 | 7.68       |
| 1 | KCR  | 49      | 56H     | 11.91 | 10.01 | 7.76  | 8.18 | 2.15 | 2.01 | 2.40 | 8.40 | 3.20 | 3.38 | 7.68       |
| P | TYPE | GE SIZE | NEMA FR | C     | L+M   | XH    | XO   | XR   | XS   | ZA   | ZB   | ZC   | ZD   | MIN. SHELL |

|  |                             |  |  |                             |          |  |        |           |           |             |                   |      |
|--|-----------------------------|--|--|-----------------------------|----------|--|--------|-----------|-----------|-------------|-------------------|------|
|  |                             |  |  | TOLERANCES UNLESS SPECIFIED |          | <b>REGAL-BELOIT CORPORATION</b><br>TITLE: <b>OUTLINE</b><br>DP- RESIL BASE - BALL -40 FR |        |           |           |             | DRAWN KK 06/18/15 |      |
|  |                             |  |  | DEC.                        | INCHES   |  |        |           |           |             | CHK               |      |
|  |                             |  |  | .X                          | ±0.1     |  |        |           |           |             | APPD KK 06/18/15  |      |
|  |                             |  |  | .XX                         | ±0.02    |  |        |           |           |             | SCALE 1=1         |      |
|  |                             |  |  | .XXX                        | ±0.005   | REF XXXXXXXX   |        |           |           |             |                   |      |
| 9  | ADDED PART #7 PER DS05-1253 |  |  | RJ 11/10/15                 | .XXXX    | ±0.0005  | MAT'L. |           | FMF       |             |                   |      |
| NO.  | REVISION                    |  |  | BY & DATE                   | CHK      | ANG  | ±1.0   | FINISH    |           | PREV        |                   |      |
| THIS DRAWING IN DESIGN AND DETAIL IS OUR PROPERTY AND MUST NOT BE USED EXCEPT IN CONNECTION WITH OUR WORK. ALL RIGHTS OF DESIGN AND INVENTION ARE RESERVED. THIS IS AN ELECTRONICALLY GENERATED DOCUMENT - DO NOT SCALE THIS PRINT |                             |  |  | RFP                         | CAD FILE |  |        | 52A107625 | SIZE      | DRAWING NO. |                   | REV. |
|  |                             |  |  | DIST                        |          |  |        | A         | 52A107625 |             |                   |      |



| REV. | DESCRIPTION                            | DATE     | APPROVED |
|------|--|----------|----------|
| 4    | ADDED NOTE FOR LINE LEAD PER DS09-1045 | 07/15/09 | ARCHANA  |

EITHER ROTATION - DUAL VOLTAGE  
TYPE KCR WITH  
THERMAL PROTECTOR



- NOTE #1 - FOR HI VOLTAGE REMOVE BROWN (P2) FROM TERMINAL #5 AND PLACE ON TERMINAL #4, REMOVE WHITE (T2) FROM TERMINAL #2 AND PLACE ON TERMINAL #5.
- NOTE #2 - TO REVERSE ROTATION INTERCHANGE BLACK (J10) AND RED (T8) LEADS.
- NOTE #3 - WHEN MORE THAN ONE CAPACITOR IS USED CONNECT IN PARALLEL.

REF. DIAG. - NONE

SWITCH - 115D958AC  
CONNECTION LABEL - 52X332051

| SIGNATURES                    |              | DATE            |
|-------------------------------|--------------|-----------------|
| MODEL                         | M.D. PAPE    | 03/03/88        |
| DETAIL                        | .            | .               |
| CHECKED                       | .            | .               |
| ENGRG                         | .            | .               |
| MFG                           | .            | .               |
| FOR ADDITIONAL INFO REFER TO: | QUALITY      | .               |
| APPLIED PRACTICES             | ISSUED       | M.D.P. 03/03/88 |
| DIMENSIONS ARE IN INCHES      | SOLID MODEL: | 52A105383AC     |

**REGAL-BELOIT CORPORATION**

**REGAL-BELOIT**

**CONNECTION DIAGRAM**

**FMF: 30 FRAME SWITCH REDESIGN**

SIZE DRAWING A

SCALE: 1.000 REF. No. .

**52A105383AC**

REV 4

SHEET 1 of 1