

PRODUCT INFORMATION PACKET



Model No: BL6519
Catalog No: BL6519
1/41/51/6 HP Fan & Blower Motor, 1075 RPM, 3 Speed, 115 Volts, 42 Frame, OAO
Direct Drive Motors



Regal and Century are trademarks of Regal Beloit Corporation or one of its affiliated companies.
©2020 Regal Beloit Corporation, All Rights Reserved. MC017097E





Nameplate Specifications

Output HP	1/4 1/5 1/6 Hp	Frequency	60 Hz
Voltage	115 V	Current	4.7 A
Speed	1075 rpm	Service Factor	1
Phase	1	Duty	Air Over
Insulation Class	B	Frame	42Y
Enclosure	Open Air Over	Thermal Protection	Automatic
Ambient Temperature	40 °C	UL	Recognized
CSA	Y	CE	N

Technical Specifications

Electrical Type	Permanent Split Capacitor	Starting Method	Across The Line
Poles	6	Rotation	Reversible
Mounting	Extended Studs	Motor Orientation	Horizontal
Drive End Bearing	Sleeve	Opp Drive End Bearing	Sleeve
Frame Material	N/A	Shaft Type	Flat
Overall Length	9.83 in	Shaft Diameter	0.500 in
Shaft Extension	4.7 in		
Outline Drawing	BL6519-S01	Connection Drawing	617835

This is an uncontrolled document once printed or downloaded and is subject to change without notice. Date Created:19/10/2020

GENERAL INFORMATION:

SHAFT RUNOUT: .001 [.025] T.I.R. PER INCH LENGTH OF EXTENSION

END PLAY: .010[.254] TO .063[1.600]

BEARINGS: SLEEVE

MOUNTING: HORIZONTAL

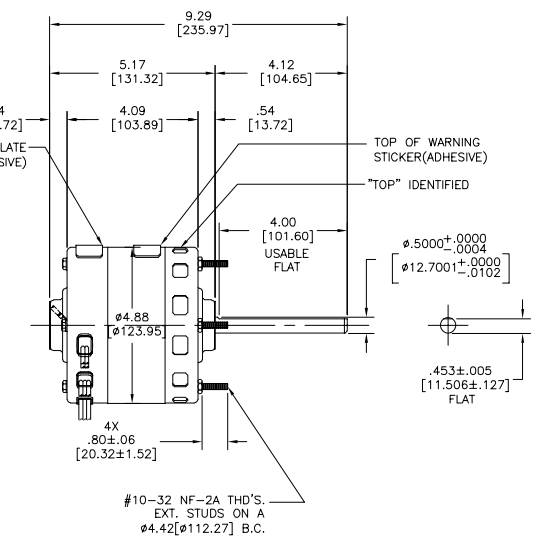
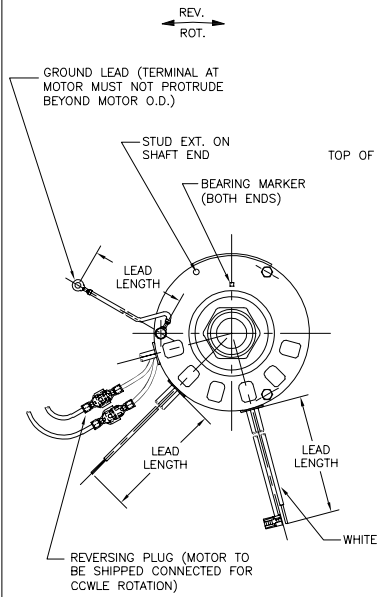
ELECTRICAL DATA:

OVERLOAD PROTECTOR: AUTOMATIC RESET (SENSATA 7AM 304)

LEADS: NO. 18 GA., .06 [1.52] THK. 125°C INSUL.

REVERSING LEADS: NO. 18 GA., 125°C INSUL.
(.03 THK. BLACK,BLUE, AND WHITE)
(.06 THK. BROWN)

GROUND LEAD: NO. 18 GA., .03 [.76] THK. GREEN INSUL.



GREEN(GRD)	5.0/7.0[127.0/177.8]	#10 EYELET
BLUE(REV)	4.0/6.0[101.6/152.4]	PRE-INSUL. TAB TERM.
BLACK(REV)	4.0/6.0[101.6/152.4]	PRE-INSUL. SPADE TERM.
WHITE(REV)	4.0/6.0[101.6/152.4]	PRE-INSUL. TAB TERM.
BROWN(REV)	4.0/6.0[101.6/152.4]	PRE-INSUL. SPADE TERM.
BROWN/WHITE	12.0/14.0[304.8/355.6]	.25[6.35] FLAG
BROWN	12.0/14.0[304.8/355.6]	.25[6.35] FLAG
BLUE	28.0/30.0[711.2/762.0]	.60 [15.24] SKIN
RED	28.0/30.0[711.2/762.0]	.60 [15.24] SKIN
BLACK	28.0/30.0[711.2/762.0]	.60 [15.24] SKIN
WHITE	28.0/30.0[711.2/762.0]	.60 [15.24] SKIN
COLOR	LENGTH	TERMINAL OR STRIP LENGTH

REGAL-BELOIT CORPORATION (RBC) PROVIDES TECHNICAL ASSISTANCE TO OUR CUSTOMERS IN SEVERAL AREAS. SINCE RBC DOES NOT RECEIVE ALL DATA CONCERNING THE USE AND APPLICATION OF THE MOTOR, THE SUITABILITY OF THE MOTOR FOR THE APPLICATION MUST BE DETERMINED BY THE CUSTOMER.

DIMENSIONS WITHOUT TOLERANCES ARE FOR REFERENCE ONLY.

MAIN FRAME -- OLE	OPEN
END FRAME -- OLE	OPEN
MAIN FRAME -- LE	SEMI-ENCL
END FRAME -- LE	SEMI-ENCL

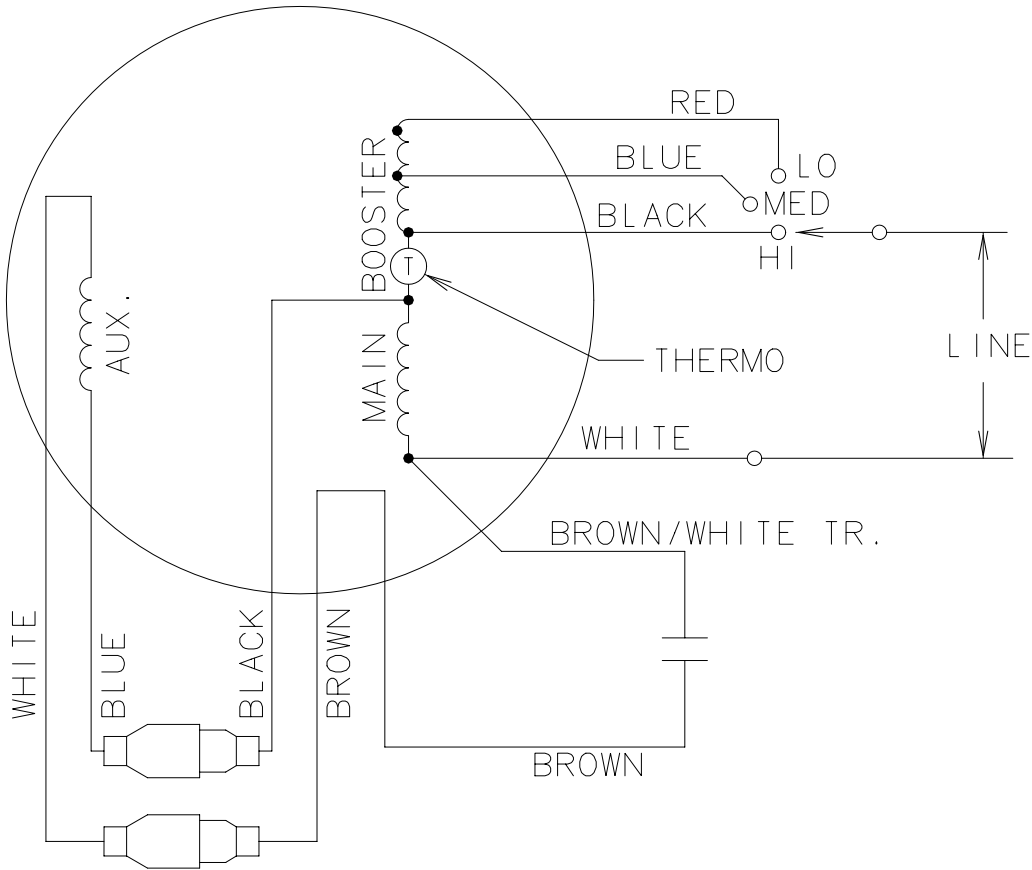
CUSTOMER	DIST. SERVICE
----------	---------------

NAMEPLATE DATA:	EXTERNAL CONNECTION DIAGRAM
MODEL: 322P924 CUST. P/N: BL6519 HP: 1/4 1/5 1/6 ROT: REV. RPM: 1075/3 SPD TYPE: FLL FRAME: 42Y VOLTS: 115 PH: 1 AMPS: 4.7 HZ: 60 INS: B* AMB: 40C DUTY: AIR OVER CODE: - CAP.: 5 MFD/370V UL LOGO CSA LOGO THERMALLY PROTECTED TYPE C	<p>RED — LO</p> <p>BLU — MED</p> <p>BLK — HI</p> <p>WHT — LINE</p> <p>BRN/WHT</p> <p>BRN</p> <p>ROTATION AT LEAD END</p> <p>CW CCW</p> <p>WHT <input type="checkbox"/> BRN <input type="checkbox"/></p> <p>BLK <input type="checkbox"/> WHT <input type="checkbox"/></p> <p>BLU <input type="checkbox"/> BLU <input type="checkbox"/></p> <p>BRN <input type="checkbox"/> BLK <input type="checkbox"/></p>

PERFORMANCE CURVE NO.	TORQUE @1075 RPM (25°C)	APPROVED SAMPLE	CCN #	CSA
C30175	23.6 OZ. FT.	PSE7726C	FILE # CLASS #	FILE # CLASS #
			E46993 PRGY2	LR43341 4211-01

DRAWING REVISION	REVISION BY	DATE
A	C.ZHAO	12-18-2014
ECO	APPROVED BY	DATE
0067294	C.ZHANG	12-18-2014
NEW DRAWING		
COPYRIGHT REGAL-BELOIT AMERICA, INC. ALL RIGHTS RESERVED. INFORMATION AND OPERATING INSTRUCTIONS ARE DOCUMENTED BY THE PROPERTY OF REGAL-BELOIT AMERICA, INC. (RBC) AND REMAIN THE PROPERTY OF RBC. NO PART OF THIS DOCUMENTATION OR OTHER RBC DOCUMENTS IS TO BE REPRODUCED, COPIED, OR TRANSMITTED IN ANY FORM OR BY ANY MEANS, ELECTRONIC OR MECHANICAL, INCLUDING PHOTOCOPYING, RECORDING, OR BY ANY INFORMATION STORAGE AND RETRIEVAL SYSTEM, WITHOUT THE WRITTEN PERMISSION OF RBC. THIS DOCUMENT IS TO BE RETURNED TO RBC UPON REQUEST. IT MAY BE SUBJECT TO CERTAIN RESTRICTIONS UNDER APPLICABLE EXPORT CONTROL LAWS AND REGULATIONS.		

ENCLOSURE	Regal Beloit America, Inc.
DRAWN BY: C.ZHAO	DATE: 12-18-2014
APPROVED BY: C.ZHANG	DATE: 12-18-2014
DESCRIPTION: MODEL-RFHP-42FR OUTLINE	TITLE: MODEL-RFHP-42FR OUTLINE
MATERIAL: -	PROCESS/FINISH: -
SIZE: C	DWG NO: BL6519
THIRD ANGLE PROJECTION	SHEET 1



QUALITY CONTROL NOTE


TO CHECK THE WINDINGS FOR OPENS, VERIFY THE CONTINUITY BETWEEN THE PLAIN BROWN LEAD & THE WHITE LEAD AND BETWEEN THE PLAIN BROWN & THE RED LEAD.

CCW
 BROWN — WHITE
 BLUE — BLACK

CW
 WHITE — BLACK
 BLUE — BROWN

REV. ROT., TYPE FLL,
 MODIFIED "T" CONN.

CONFIDENTIAL: THIS DRAWING AND ITS INFORMATION ARE THE EXCLUSIVE AND CONFIDENTIAL PROPERTY OF A.O. SMITH CORP. AND ARE NOT TO BE DISCLOSED, DUPLICATED, DISTRIBUTED OR OTHERWISE USED WITHOUT THE WRITTEN CONSENT OF A.O. SMITH CORP. - ALL RIGHTS RESERVED

DATE	CHANGED FROM	NOTICE	MATERIAL	PROCESS	A.O. SMITH A DIVISION OF A.O. SMITH CORPORATION ELECTRICAL PRODUCTS COMPANY TIPP CITY, OHIO  COPYRIGHT 1992	
			FIRST MODEL 322P924	SHEET 1 OF 1	DRAWN BY HEATH	NPN NO. 17615
			NO. OF MODELS 1	REFERENCE 617633	SCALE NONE	APPROVED BY
			LIMITS UNLESS OTHERWISE SPECIFIED: FRACTIONS ± NONE ANGLES ± NONE DECIMALS ± NONE		REL. DATE 7/21/87	DESCRIPTION FR.42 TYPE FLL DIAG. MLW
					GROUP CODE FR42	FILE CODE CONEXT
						PART NO. 617835
						4 of 4