

PRODUCT INFORMATION PACKET



Model No: BL6505

Catalog No: BL6505

1/5-1/8-1/10 HP Fan & Blower Motor, 1075 RPM, 3 Speed, 115 Volts, 42 Frame, OAO
Direct Drive Motors



Regal and Century are trademarks of Regal Beloit Corporation or one of its affiliated companies.
©2020 Regal Beloit Corporation, All Rights Reserved. MC017097E

The REGAL logo is a grey rectangular box with the word 'REGAL' in white, bold, uppercase letters. It is positioned on a blue background with a halftone dot pattern that tapers to the right.

REGAL



Nameplate Specifications

Output HP	1/5,1/8,1/10 Hp	Output KW	0.15 kW
Frequency	60 Hz	Voltage	115 V
Current	3.2,2.1,1.7 A	Speed	1075 rpm
Service Factor	1	Phase	1
Duty	Air Over	Insulation Class	B
Frame	42Y	Enclosure	Open Air Over
Thermal Protection	Automatic	Ambient Temperature	40 °C
UL	Recognized	CSA	Y
CE	N		

Technical Specifications

Electrical Type	Permanent Split Capacitor	Starting Method	Across The Line
Poles	6	Rotation	Reversible
Mounting	Resilient Rings	Motor Orientation	Horizontal
Drive End Bearing	Sleeve	Opp Drive End Bearing	Sleeve
Frame Material	N/A	Shaft Type	Flat
Overall Length	9.92 in	Shaft Diameter	0.500 in
Shaft Extension	5.5 in		
Outline Drawing	11674-009-S01	Connection Drawing	2877A01F01

This is an uncontrolled document once printed or downloaded and is subject to change without notice. Date Created:06/11/2020

REV	ECO	REV BY	DATE	APPD	DATE
G	0026376	F.NAVARRO	05-25-2012	R.RASCON	05-25-2012

GENERAL INFORMATION:

SHAFT RUNOUT: .001 [.03] T.I.R. PER INCH LENGTH OF EXTENSION

END PLAY: .010[.25] TO .063[1.60]

BEARINGS: SLEEVE

MOUNTING POSITION: HORIZONTAL

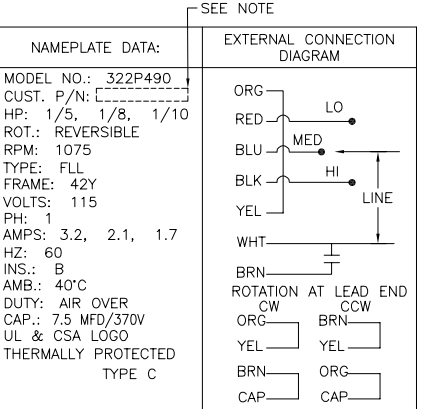
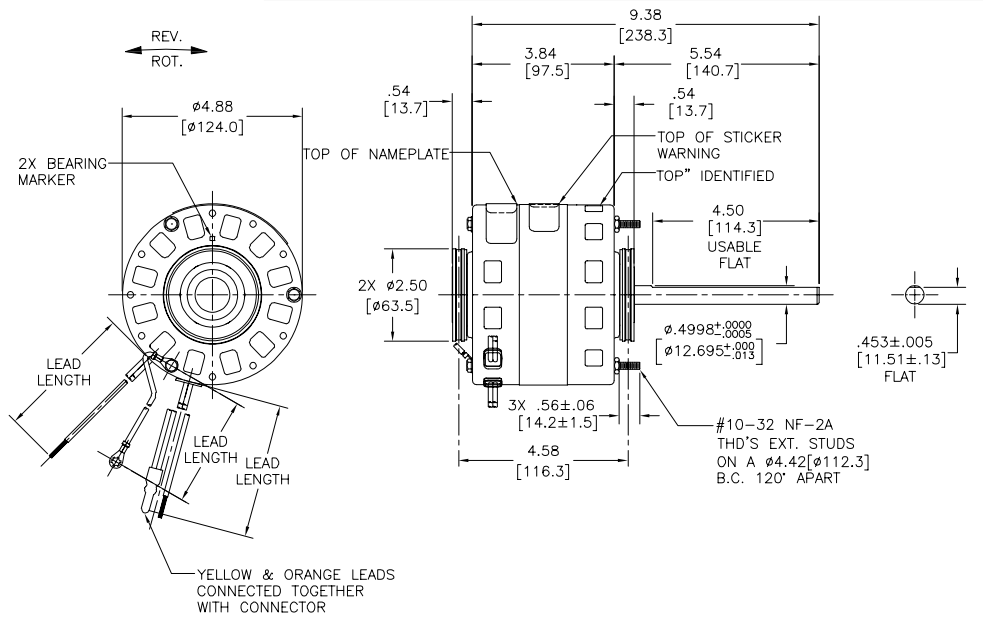
ELECTRICAL DATA:

OVERLOAD PROTECTOR: AUTOMATIC RESET (T.I. 7AM 304)

LEADS: NO. 18 GA., .03 [.8] THK., 125°C INSUL.

GROUND LEAD: NO. 18 GA., .03 [.8] THK., GREEN INSUL.

NOTE:
DISTRIBUTION:CUST.P/N:BL6505
GRAINGER:CUST.P/N:4KA43



COLOR	LENGTH	TERMINAL OR STRIP LENGTH
GREEN(GRD)	9.0/11.0 [229/279]	#10 EYELET
YELLOW	34.5/37.5 [876/953]	.60 [15.2] SKIN
ORANGE	34.5/37.5 [876/953]	.60 [15.2] SKIN
BROWN	34.5/37.5 [876/953]	.60 [15.2] SKIN
BLACK	34.5/37.5 [876/953]	.60 [15.2] SKIN
WHITE	34.5/37.5 [876/953]	.60 [15.2] SKIN
BLUE	34.5/37.5 [876/953]	.60 [15.2] SKIN
RED	34.5/37.5 [876/953]	.60 [15.2] SKIN

MAIN FRAME - OLE	OPEN
END FRAME - OLE	OPEN
MAIN FRAME - LE	OPEN
END FRAME - LE	OPEN

PERFORMANCE CURVE NO.	TORQUE @ 1075 RPM (25°C)	APPROVED SAMPLE	UL COMPONENT	CSA
C32102	19.3 OZ. FT.	PSA7748	E46412 PRGY2	LR43341 260-Ø-0

GEOMETRIC CHARACTERISTICS & SYMBOLS

- FLATNESS
- STRAIGHTNESS
- ∠ ANGULARITY
- ⊥ PERPENDICULARITY (SQUARENESS)
- ∥ PARALLELISM
- ROUNDNESS (CIRCULARITY)
- ⊘ CYLINDRICITY
- ⌒ PROFILE OF ANY SURFACE
- ⌒ PROFILE OF ANY LINE
- ↑ RUNOUT
- ⊕ TRUE POSITION
- ⊙ CONCENTRICITY
- ≡ SYMMETRY

ASME Y14.5M 1994

REGAL-BELOIT CORPORATION (RBC) PROVIDES TECHNICAL ASSISTANCE TO OUR CUSTOMERS IN SEVERAL AREAS. SINCE RBC DOES NOT RECEIVE ALL DATA CONCERNING THE USE AND APPLICATION OF THE MOTOR, THE SUITABILITY OF THE MOTOR FOR THE APPLICATION MUST BE DETERMINED BY THE CUSTOMER.

DIMENSIONS WITHOUT TOLERANCES ARE FOR REFERENCE ONLY.

DR BY: J. RUPERT 06-13-1997

APPD: J. SOPK

THIRD ANGLE PROJECTION

EDS DATE 11-11-2011
FORMAT REV H

CONFIDENTIAL: THIS DRAWING AND ITS INFORMATION ARE THE EXCLUSIVE AND CONFIDENTIAL PROPERTY OF REGAL-BELOIT CORPORATION AND ARE NOT TO BE DISCLOSED, DUPLICATED, DISTRIBUTED OR OTHERWISE USED WITHOUT THE WRITTEN CONSENT OF REGAL-BELOIT CORPORATION. -ALL RIGHTS RESERVED.

REGAL REGAL-BELOIT CORPORATION

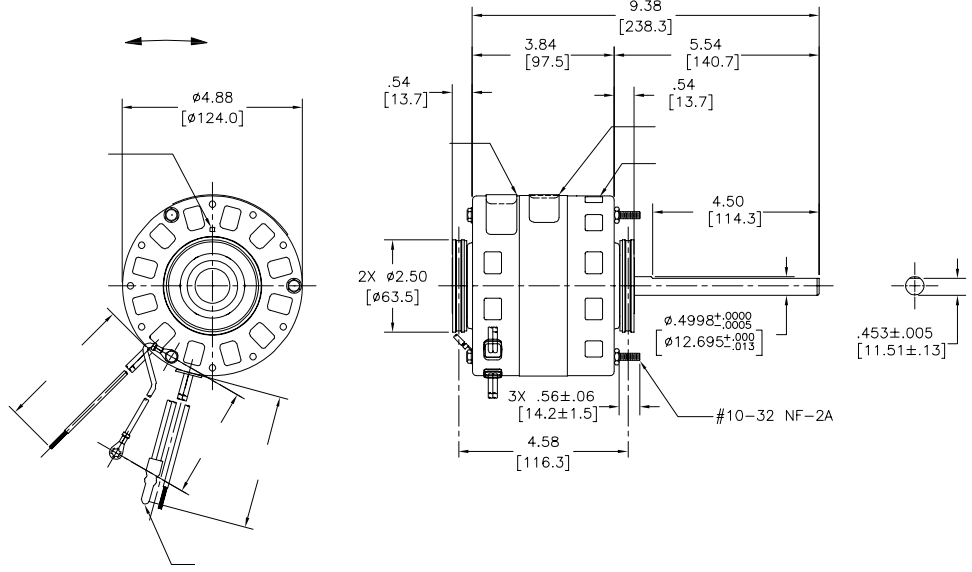
DESCRIPTION: MODEL-RFHP-48FR OUTLINE

SIZE: C DWG NO: 11674-009

SCALE: NONE SHEET 1

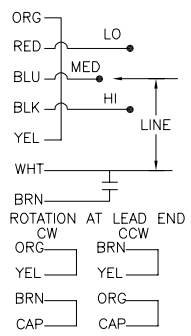
4	3	2	1																												
<p>INFORMACION GENERAL:</p> <p>OSCILACION DE FLECHA: .001 [.03] L.T.I. LONGITUD DE EXTENSION POR PULGADA</p> <p>BALEROS: BOLA</p> <p>POSICION DE MONTAJE: TODO EL ANGULO</p> <p>DATOS ELECTRICOS:</p> <p>SOBRECARGA DEL PROTECTOR: REINICIO AUTOMATICO (T.I. 7AM 036)</p> <p>CABLES DE LINEA: NO. 18 GA., .06 [1.5] DE ESPESOR EPDM 125°C AISLANTE</p> <p>CABLE DE TIERRA: NO. 18 GA., .03 [.8] ESPESOR (VERDE) AISLANTE</p> <p>TAPON DE INVERSION: NO. 18 GA., .03 [.8] ESPESOR XLP 125°C AISLANTE</p>		<table border="1" style="width:100%; border-collapse: collapse;"> <tr> <td>REVISION: ECO</td> <td>REVISADO POR: F.NAVARRO</td> <td>FECHA: 05-25-2012</td> <td>APROBADO POR: R.RASCON</td> <td>FECHA: 05-25-2012</td> </tr> <tr> <td>G</td> <td>0026376</td> <td></td> <td></td> <td></td> </tr> </table>		REVISION: ECO	REVISADO POR: F.NAVARRO	FECHA: 05-25-2012	APROBADO POR: R.RASCON	FECHA: 05-25-2012	G	0026376																					
REVISION: ECO	REVISADO POR: F.NAVARRO	FECHA: 05-25-2012	APROBADO POR: R.RASCON	FECHA: 05-25-2012																											
G	0026376																														
<p>DATOS DE PLACA DE DATOS:</p> <p>MODEL NO.: 322P490</p> <p>CUST. P/N: _____</p> <p>HP: 1/5, 1/8, 1/10</p> <p>ROT.: REVERSIBLE</p> <p>RPM: 1075</p> <p>TYPE: FLL</p> <p>FRAME: 42Y</p> <p>VOLTS: 115</p> <p>PH: 1</p> <p>AMPS: 3.2, 2.1, 1.7</p> <p>HZ: 60</p> <p>INS.: B</p> <p>AMB.: 40°C</p> <p>DUTY: AIR OVER</p> <p>CAP.: 7.5 MFD/370V</p> <p>UL & CSA LOGO</p> <p>THERMALLY PROTECTED</p> <p>TYPE C</p>		<p>PLANO</p> <p>PLANO USABLE</p> <p>PLANO</p> <p>EMPAQUE</p> <p>FLUAR LA ETIQUETA DE ADVERTENCIA DE CONEXION AL CABLE COMUN AMARILLO APROX. 2.00 PULGADAS [50.8] DESDE EL MOTOR</p> <p>PARTE SUPERIOR DE LA ETIQUETA DE ADVERTENCIA</p> <p>PARTE SUPERIOR DE LA ETIQUETA DE CLASIF.</p> <p>PARTE SUPERIOR DE LA ETIQUETA DE CONSERVACION</p> <p>NOTA:</p> <p>DENOTA CARACTERISTICAS CRITICAS</p> <p>(4) TORNILLOS Y (4) TUERCAS SERAN EMPAQUETADAS CON CADA MOTOR</p>																													
<p>SEE NOTE</p> <p>DIAGRAMA DE CONEXION EXTERNA</p>		<p>CABLE DE TIERRA (LA TERMINAL HACIA EL MOTOR NO DEBE SOBREPASAR MAS ALLA DEL DIAMETRO EXTERIOR DEL MOTOR)</p> <p>TAPON DE INVERSION (EL MOTOR SERA EMBARCADO Y CONECTADO CON UNA ROTACION EN CONTRA DE LAS MANECILLAS DEL RELOJ)</p> <table border="1" style="width:100%; border-collapse: collapse;"> <tr> <td>VERDE (TIERRA)</td> <td>9.0/11.0 [229/279]</td> <td>.60 [.15] 0</td> </tr> <tr> <td>NEGRO/BLANCO</td> <td>34.5/37.5 [876/953]</td> <td>TAPON [DIS. 2] INVERSION</td> </tr> <tr> <td>CAFE</td> <td>34.5/37.5 [876/953]</td> <td>.60 [15.2] BANDERA</td> </tr> <tr> <td>CAFE/BLANCO</td> <td>34.5/37.5 [876/953]</td> <td>.60 [15.2] BANDERA</td> </tr> <tr> <td>ROJO</td> <td>34.5/37.5 [876/953]</td> <td>.60 [15.2] FORRO</td> </tr> <tr> <td>NEGRO</td> <td>34.5/37.5 [876/953]</td> <td>.60 [15.2] FORRO</td> </tr> <tr> <td>AMARILLO</td> <td>34.5/37.5 [876/953]</td> <td>.60 [15.2] FORRO</td> </tr> <tr> <td>COLOR</td> <td>LONGITUD</td> <td>TERMINAL O LONGITUD DE DESFORRE</td> </tr> </table>		VERDE (TIERRA)	9.0/11.0 [229/279]	.60 [.15] 0	NEGRO/BLANCO	34.5/37.5 [876/953]	TAPON [DIS. 2] INVERSION	CAFE	34.5/37.5 [876/953]	.60 [15.2] BANDERA	CAFE/BLANCO	34.5/37.5 [876/953]	.60 [15.2] BANDERA	ROJO	34.5/37.5 [876/953]	.60 [15.2] FORRO	NEGRO	34.5/37.5 [876/953]	.60 [15.2] FORRO	AMARILLO	34.5/37.5 [876/953]	.60 [15.2] FORRO	COLOR	LONGITUD	TERMINAL O LONGITUD DE DESFORRE				
VERDE (TIERRA)	9.0/11.0 [229/279]	.60 [.15] 0																													
NEGRO/BLANCO	34.5/37.5 [876/953]	TAPON [DIS. 2] INVERSION																													
CAFE	34.5/37.5 [876/953]	.60 [15.2] BANDERA																													
CAFE/BLANCO	34.5/37.5 [876/953]	.60 [15.2] BANDERA																													
ROJO	34.5/37.5 [876/953]	.60 [15.2] FORRO																													
NEGRO	34.5/37.5 [876/953]	.60 [15.2] FORRO																													
AMARILLO	34.5/37.5 [876/953]	.60 [15.2] FORRO																													
COLOR	LONGITUD	TERMINAL O LONGITUD DE DESFORRE																													
<table border="1" style="width:100%; border-collapse: collapse;"> <tr> <td>CURVAS DE FUNCIONAMIENTO</td> <td>TORSION @1075 RPM (25°C)</td> <td>MUESTRA APROVADA</td> <td>COMPONENTE</td> <td>CCN #</td> <td>AR</td> <td>HI</td> <td>W</td> <td>CCW</td> <td>CSA</td> </tr> <tr> <td>C32102</td> <td>39.5 OZ. INES</td> <td>PSA7748</td> <td>E46412</td> <td>PRGY2</td> <td>LR43341</td> <td>260</td> <td>-</td> <td>-</td> <td>0</td> </tr> </table>		CURVAS DE FUNCIONAMIENTO	TORSION @1075 RPM (25°C)	MUESTRA APROVADA	COMPONENTE	CCN #	AR	HI	W	CCW	CSA	C32102	39.5 OZ. INES	PSA7748	E46412	PRGY2	LR43341	260	-	-	0	<p>INFORMACION DE CABLES</p> <table border="1" style="width:100%; border-collapse: collapse;"> <tr> <td>CUERPO PPAL.-OLE</td> <td>CERRADO</td> </tr> <tr> <td>TAPA FINAL - OLE</td> <td>CERRADO CON ORIFICIO DE DRENADO</td> </tr> <tr> <td>CUERPO PPAL.-OLE</td> <td>CERRADO</td> </tr> <tr> <td>TAPA FINAL - OLE</td> <td>CERRADO CON ORIFICIO DE DRENADO</td> </tr> </table> <p>TIPO DE MOTOR</p> <p>CLIENTE</p> <p>DISTRIBUTION SERVICE</p>		CUERPO PPAL.-OLE	CERRADO	TAPA FINAL - OLE	CERRADO CON ORIFICIO DE DRENADO	CUERPO PPAL.-OLE	CERRADO	TAPA FINAL - OLE	CERRADO CON ORIFICIO DE DRENADO
CURVAS DE FUNCIONAMIENTO	TORSION @1075 RPM (25°C)	MUESTRA APROVADA	COMPONENTE	CCN #	AR	HI	W	CCW	CSA																						
C32102	39.5 OZ. INES	PSA7748	E46412	PRGY2	LR43341	260	-	-	0																						
CUERPO PPAL.-OLE	CERRADO																														
TAPA FINAL - OLE	CERRADO CON ORIFICIO DE DRENADO																														
CUERPO PPAL.-OLE	CERRADO																														
TAPA FINAL - OLE	CERRADO CON ORIFICIO DE DRENADO																														
<p>CARACTERISTICAS DE GEOMETRIA Y SIMBOLOS</p> <p>▭ PLANICIDAD</p> <p>▭ RECTITUD</p> <p>∠ ANGULARIDAD</p> <p>⊥ PERPENDICULARIDAD (A ESQUADRA)</p> <p>∥ PARALELISMO</p> <p>○ REDONDEZ (CIRCULARIDAD)</p> <p>⊘ CILINDRICIDAD</p> <p>⊖ PERFIL DE CUALQUIER SUPERFICIE</p> <p>⊖ PERFIL DE CUALQUIER LINEA</p> <p>↑ VARIACION</p> <p>⊕ POSICION REAL</p> <p>⊙ CONCENRICIDAD</p> <p>≡ SIMETRIA</p> <p>ASME Y14.5M 1994</p>		<p>REGAL-BELOIT CORPORATION (RBC) PROVEE ASISTENCIA TECNICA A NUESTROS CLIENTES EN VARIAS AREAS. DESDE QUE RBC NO RECIBE TODOS LOS DATOS EN RELACION AL USO Y A LA APLICACION DEL MOTOR, LA APLICACION ADECUADA DEL MOTOR DEBE SER DETERMINADA POR EL CLIENTE.</p> <p>DIMENSIONES SIN TOLERANCIA SON DE REFERENCIA SOLAMENTE</p> <p>DIBUJADO POR: J. RUPERT</p> <p>06-13-1997</p> <p>APROBADO POR: J. SOPK</p> <p>TERCER ANGULO DE PROYECCION</p> <p>FECHA EDS: 11-11-2011</p> <p>REV. FORMATO: H</p> <p>CONFIDENCIAL: ESTE DIBUJO Y SU INFORMACION SON PROPIEDAD DE USO EXCLUSIVO Y CONFIDENCIAL DE REGAL-BELOIT CORPORATION. Y NO DEBERAN SER REVELADOS, DUPLICADOS, DISTRIBUIDOS O USARSE DE OTRA MANERA SIN EL CONSENTIMIENTO ESCRITO DE REGAL-BELOIT CORPORATION. -TODOS LOS DERECHOS RESERVADOS.</p>																													
<p>REGAL-BELOIT CORPORATION</p>		<p>DESCRIPCION: MODEL-RFHP-48FR OUTLINE</p> <p>TAMAÑO: C</p> <p>NUMERO DE DIBUJO: 11674-009</p> <p>ESCALA: NONE</p> <p>HOJA: 1</p>																													

版本	ECO	编制	日期	批准	日期
G	0026376	F.NAVARRO	05-25-2012	R.RASCON	05-25-2012



SEE NOTE

MODEL NO.: 322P490
 CUST. P/N: _____
 HP: 1/5, 1/8, 1/10
 ROT.: REVERSIBLE
 RPM: 1075
 TYPE: FLL
 FRAME: 42Y
 VOLTS: 115
 PH: 1
 AMPS: 3.2, 2.1, 1.7
 HZ: 60
 INS.: B
 AMB.: 40°C
 DUTY: AIR OVER
 CAP.: 7.5 MFD/370V
 UL & CSA LOGO
 THERMALLY PROTECTED
 TYPE C



	9.0/11.0	
	[229/279]	
	34.5/37.5	.60 [15.2]
	[876/953]	
	34.5/37.5	.60 [15.2]
	[876/953]	
	34.5/37.5	.60 [15.2]
	[876/953]	
	34.5/37.5	.60 [15.2]
	[876/953]	
	34.5/37.5	.60 [15.2]
	[876/953]	
	34.5/37.5	.60 [15.2]
	[876/953]	

C32102	19.3 OZ. FT.	PSA7748	UL COMPONENT		CSA	
			FILE #	CCN #	FILE #	CLASS #
			E46412	PRGY2	LR43341	260-0-0

- 形状公差
- 平面度
- 直线度
- ∠ 倾斜度
- ⊥ 垂直度
- ∥ 平行度
- 圆度
- ⊘ 圆跳动
- ⊙ 面轮廓度
- ⌒ 线轮廓度
- ↗ 圆跳动
- ↖ 位置公差
- ↔ 对称度

ASME Y14.5M 1994

REGAL-BELOIT CORPORATION (RBC) 在个别领域为客户提供技术支持。鉴于RBC未收到任何涉及电机使用和应用环境的数据，电机的适用性由客户自己决定。

未注公差尺寸仅供参考。

制图: J. RUPERT 06-13-1997
 批准: J. SOPK
 第三角投影
 图档格式发布日期 11-11-2011
 图档格式版本 H
 机密: 本图纸及相关信息所有权归REGAL-BELOIT CORPORATION。未经REGAL-BELOIT CORPORATION书面授权, 不得泄露、复制、传播或作其他用途。--版权所有

REGAL REGAL-BELOIT CORPORATION

名称 MODEL-RFHP-48FR OUTLINE

图号 11674-009

比例 NONE

页号 1