

PRODUCT INFORMATION PACKET



Model No: BL6416
Catalog No: BL6416
1/5 HP Fan & Blower Motor, 1050 RPM, 4 Speed, 115 Volts, 42 Frame, OAO
Direct Drive Motors



Regal and Century are trademarks of Regal Beloit Corporation or one of its affiliated companies.
©2020 Regal Beloit Corporation, All Rights Reserved. MC017097E





Nameplate Specifications

Output HP	1/5 Hp	Output KW	0.15 kW
Frequency	60 Hz	Voltage	115 V
Current	7.1 A	Speed	1050 rpm
Service Factor	1	Phase	1
Duty	Air Over	Insulation Class	A
Frame	42Y	Enclosure	Open Air Over
Thermal Protection	Automatic	Ambient Temperature	40 °C
UL	Recognized	CSA	Y
CE	N		

Technical Specifications

Electrical Type	Shaded Pole	Starting Method	Across The Line
Poles	6	Rotation	Counterclockwise Lead End
Mounting	Resilient Rings	Motor Orientation	Horizontal
Drive End Bearing	Sleeve	Opp Drive End Bearing	Sleeve
Frame Material	Rolled Steel	Shaft Type	Flat
Overall Length	6.50 in	Shaft Diameter	0.500 in
Shaft Extension	2.7 in		
Connection Drawing	263B929F03	Outline Drawing	11674-027-S01

This is an uncontrolled document once printed or downloaded and is subject to change without notice. Date Created:06/11/2020

GENERAL INFORMATION:

SHAFT RUNOUT: .001[.03] T.I.R. PER INCH LENGTH OF EXTENSION.

END PLAY: .010 TO .063 [.25 TO 16.0]

BEARINGS: SLEEVE

MOUNTING POSITION: HORIZONTAL

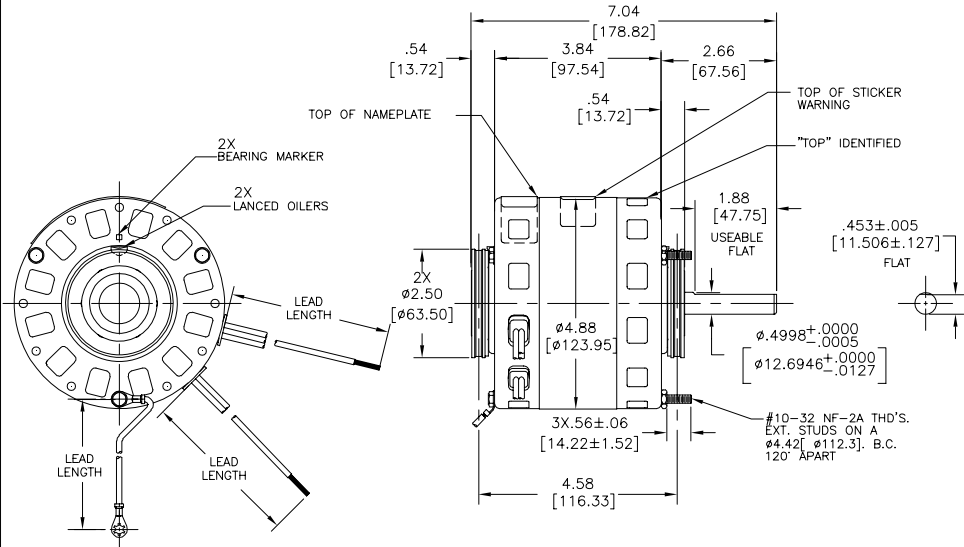
ELECTRICAL DATA:

OVERLOAD PROTECTOR: AUTOMATIC RESET (T.I. 7AM 034)

LEADS: NO. 18 GA., .06[1.5] THK., 125°C INSUL.

GROUND LEAD: NO. 18 GA., .03[.8] THK., GREEN INSUL.

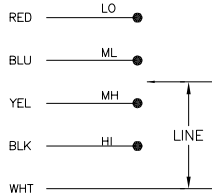
NOTE:
DISTRIBUTION: CUST. P/N: BL6416
GRAINGER: CUST. P/N: 4KA40



NAMEPLATE DATA:

EXTERNAL CONNECTION DIAGRAM

MODEL NO.: 319P368
CUST. P/N: [-----]
HP: 1/5
ROT: CCWLE
RPM: 1050/4 SPD.
TYPE: FE
FRAME: 42Y
VOLTS: 115
PH: 1
AMPS: 7.1
HZ: 60
INS: A
AMB: 40C
DUTY: AIR OVER
CAP.: -
UL & CSA LOGO
THERMALLY PROTECTED TYPE C



GREEN(GRD)	9.5/10.5[241/267]	#10 EYELET
RED	35/38[889/965]	.60[15.2] SKIN
BLUE	35/38[889/965]	.60[15.2] SKIN
YELLOW	35/38[889/965]	.60[15.2] SKIN
WHITE	35/38[889/965]	.60[15.2] SKIN
BLACK	35/38[889/965]	.60[15.2] SKIN

COLOR	LENGTH	TERMINAL OR STRIP LENGTH
LEAD DATA		

MAIN FRAME - OLE	OPEN
END FRAME - OLE	OPEN
MAIN FRAME - LE	OPEN
END FRAME - LE	OPEN
ENCLOSURE	

CUST. DISTRIBUTION SERVICES

PERFORMANCE CURVE NO.	TORQUE @ 1050 RPM (25°C)	APPROVED SAMPLE	UL COMPONENT FILE #	GUIDE #	CSA FILE #	GUIDE #
C31093	21.5 OZ. FT.	PSD 7576	E46412	PRG2	LR43341	260-Ø-0

DRAWING REVISION E ECO-0051079 SEE ECO	REVISION BY E.VILLA APPROVED BY J.RUIZ	DATE 05-13-2014 05-13-2014	TOLERANCES UNLESS OTHERWISE SPECIFIED DEC INCH mm ANGLE X ±0.1 (±2.5) ±0.5° XX ±0.02 (±0.81) XXX ±0.005 (±0.127) XXXX ±0.0008 (±0.0127) REMOVE BURRS & BREAK SHARP EDGES 0.02/015 (0.76/381) CORNER/FLETS 02 (1.51) MACHINED SURFACES 1/4 32 mm SHOWN IN BRACKETS	DRAWN BY: J.RUIZ DATE: 05-27-2003 APPROVED BY: J.RUIZ DATE: 05-27-2003 PROCESS/FINISH	Regal Beloit America, Inc. DESCRIPTION OUTLINE MATERIAL SIZE DWG NO 11674-027 THIRD ANGLE PROJECTION C
---	---	----------------------------------	--	---	---