

PRODUCT INFORMATION PACKET



Model No: BL6414
Catalog No: BL6414
1/5-1/8-1/10 HP Fan & Blower Motor, 1050 RPM, 3 Speed, 115 Volts, 42 Frame, OAO
Direct Drive Motors



Regal and Century are trademarks of Regal Beloit Corporation or one of its affiliated companies.
©2020 Regal Beloit Corporation, All Rights Reserved. MC017097E

The REGAL logo consists of the word 'REGAL' in a bold, white, sans-serif font, set against a dark grey, trapezoidal background.



Nameplate Specifications

Output HP	1/5,1/8,1/10 Hp	Output KW	0.15 kW
Frequency	60 Hz	Voltage	115 V
Current	6.5,4.0,3.0 A	Speed	1050 rpm
Service Factor	1	Phase	1
Duty	Air Over	Insulation Class	A
Frame	42Y	Enclosure	Open Air Over
Thermal Protection	Automatic	Ambient Temperature	40 °C
UL	Recognized	CSA	Y
CE	N		

Technical Specifications

Electrical Type	Shaded Pole	Starting Method	Across The Line
Poles	6	Rotation	Counterclockwise Lead End
Mounting	Resilient Rings	Motor Orientation	Horizontal
Drive End Bearing	Sleeve	Opp Drive End Bearing	Sleeve
Frame Material	Rolled Steel	Shaft Type	Flat
Overall Length	9.38 in	Shaft Diameter	0.500 in
Shaft Extension	5.5 in		
Outline Drawing	11674-028-S01	Connection Drawing	263B929F01

This is an uncontrolled document once printed or downloaded and is subject to change without notice. Date Created:06/11/2020

REV	ECO	REV BY	DATE	APPD	DATE
D	0026377	T.CUI	05-28-2012	B.SHEN	05-28-2012

GENERAL INFORMATION:

SHAFT RUNOUT: .001[.03] T.I.R. PER INCH LENGTH OF EXTENSION.

END PLAY: .010[.25] TO .063[1.60]

BEARINGS: SLEEVE

MOUNTING POSITION: HORIZONTAL

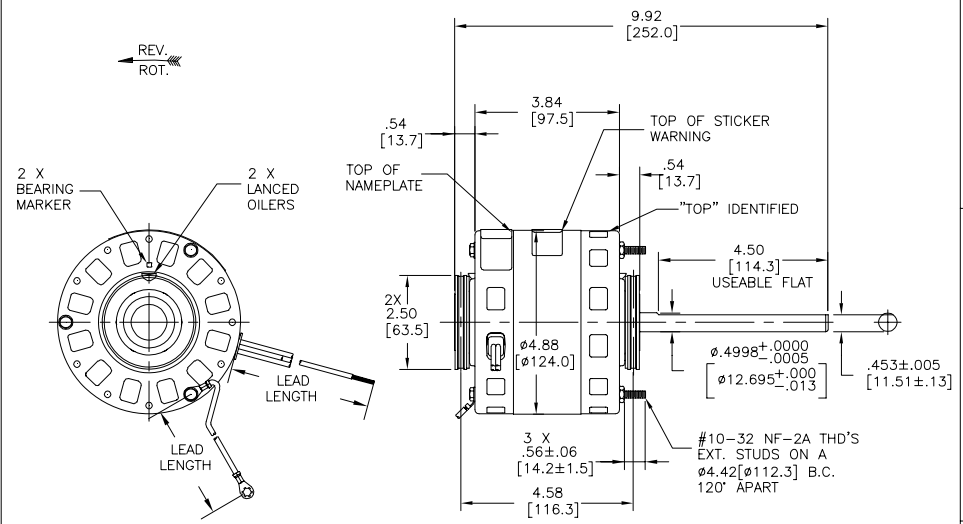
ELECTRICAL DATA:

OVERLOAD PROTECTOR: AUTOMATIC RESET (T.I. 7AM 034)

LEADS: NO. 18 GA., .03 THK., 125°C INSUL.

GROUND LEAD: NO. 18 GA., .03 THK., GREEN INSUL.

NOTE:
DISTRIBUTION: CUST. P/N: BL6414
GRAINGER: CUST. P/N: 4KA41



SEE NOTE

NAMEPLATE DATA:	EXTERNAL CONNECTION DIAGRAM
MODEL NO.: 319P852	
CUST. P/N: [-----]	
HP: 1/5,1/8,1/10	
ROT: CCWLE	
RPM: 1050	
TYPE: FE	
FRAME: 42Y	
VOLTS: 115	
PH: 1	
AMPS: 6.5,4.0,3.0	
HZ: 60	
INS: A	
AMB: 40°C	
DUTY: AIR OVER	
CAP.: -	
UL & CSA LOGO	
THERMALLY PROTECTED	
TYPE C	

RED — LO

BLU — MED

BLK — HI

WHT —

LINE

GREEN(GRD)	9.5/10.5 [241/267]	#10 EYELET
RED	35/38 [889/965]	.60[15.2] SKIN
BLUE	35/38 [889/965]	.60[15.2] SKIN
WHITE	35/38 [889/965]	.60[15.2] SKIN
BLACK	35/38 [889/965]	.60[15.2] SKIN

COLOR	LENGTH	TERMINAL OR STRIP LENGTH

MAIN FRAME - OLE	OPEN
END FRAME - OLE	OPEN
MAIN FRAME - LE	OPEN
END FRAME - LE	OPEN

ENCLOSURE

CUSTOMER	DISTRIBUTION SERVICE
----------	----------------------

PERFORMANCE CURVE NO.	TORQUE @1075 RPM (25°C)	APPROVED SAMPLE	UL COMPONENT	CSA
C32021	15.4 OZ. FT.	0143046A	E46412 PRGY2	LR43341 260-0-0

GEOMETRIC CHARACTERISTICS & SYMBOLS

- FLATNESS
- STRAIGHTNESS
- ANGULARITY
- PERPENDICULARITY (SQUARENESS)
- PARALLELISM
- ROUNDNESS (CIRCULARITY)
- CYLINDRICITY
- PROFILE OF ANY SURFACE
- PROFILE OF ANY LINE
- RUNOUT
- TRUE POSITION
- CONCENTRICITY
- SYMMETRY

REGAL-BELOIT CORPORATION (RBC) PROVIDES TECHNICAL ASSISTANCE TO OUR CUSTOMERS IN SEVERAL AREAS. SINCE RBC DOES NOT RECEIVE ALL DATA CONCERNING THE USE AND APPLICATION OF THE MOTOR, THE SUITABILITY OF THE MOTOR FOR THE APPLICATION MUST BE DETERMINED BY THE CUSTOMER.

DIMENSIONS WITHOUT TOLERANCES ARE FOR REFERENCE ONLY.

ASME Y14.5M 1994

DR BY: J. RUPERT 12-04-2003

APPD: J. RUPE 12-04-2003

EDS DATE 11-11-2011

THIRD ANGLE PROJECTION

CONFIDENTIAL: THIS DRAWING AND ITS INFORMATION ARE THE EXCLUSIVE AND CONFIDENTIAL PROPERTY OF REGAL-BELOIT CORPORATION AND ARE NOT TO BE DISCLOSED, DUPLICATED, DISTRIBUTED OR OTHERWISE USED WITHOUT THE WRITTEN CONSENT OF REGAL-BELOIT CORPORATION. -ALL RIGHTS RESERVED.

REGAL REGAL-BELOIT CORPORATION

DESCRIPTION: OUTLINE

SIZE: C DWG NO: 11674-028

SCALE: NONE SHEET 1