

PRODUCT INFORMATION PACKET



Model No: B6520
Catalog No: B6520
1/41/51/6 HP Fan & Blower Motor, 1075 RPM, 3 Speed, 230 Volts, 42 Frame, OAO
Direct Drive Motors



Regal and Century are trademarks of Regal Beloit Corporation or one of its affiliated companies.
©2020 Regal Beloit Corporation, All Rights Reserved. MC017097E





Nameplate Specifications

Output HP	1/4 1/5 1/6 Hp	Frequency	60 Hz
Voltage	230 V	Current	2.0 A
Speed	1075 rpm	Service Factor	1
Phase	1	Duty	Air Over
Insulation Class	B	Frame	42Y
Enclosure	Open Enclosed	Thermal Protection	Automatic
Ambient Temperature	40 °C	UL	Recognized
CSA	Y	CE	N

Technical Specifications

Electrical Type	Permanent Split Capacitor	Starting Method	Across The Line
Poles	6	Rotation	Reversible
Mounting	Extended Studs	Motor Orientation	Horizontal
Drive End Bearing	Sleeve	Opp Drive End Bearing	Sleeve
Frame Material	N/A	Shaft Type	Flat
Overall Length	9.83 in	Shaft Diameter	0.500 in
Shaft Extension	4.7 in		
Connection Drawing	617836	Outline Drawing	B6520-s01

This is an uncontrolled document once printed or downloaded and is subject to change without notice. Date Created:19/10/2020

GENERAL INFORMATION:

SHAFT RUNOUT: .001 [.025] T.I.R. PER INCH LENGTH OF EXTENSION

END PLAY: .010[.254] TO .063[1.600]

BEARINGS: SLEEVE

MOUNTING: HORIZONTAL

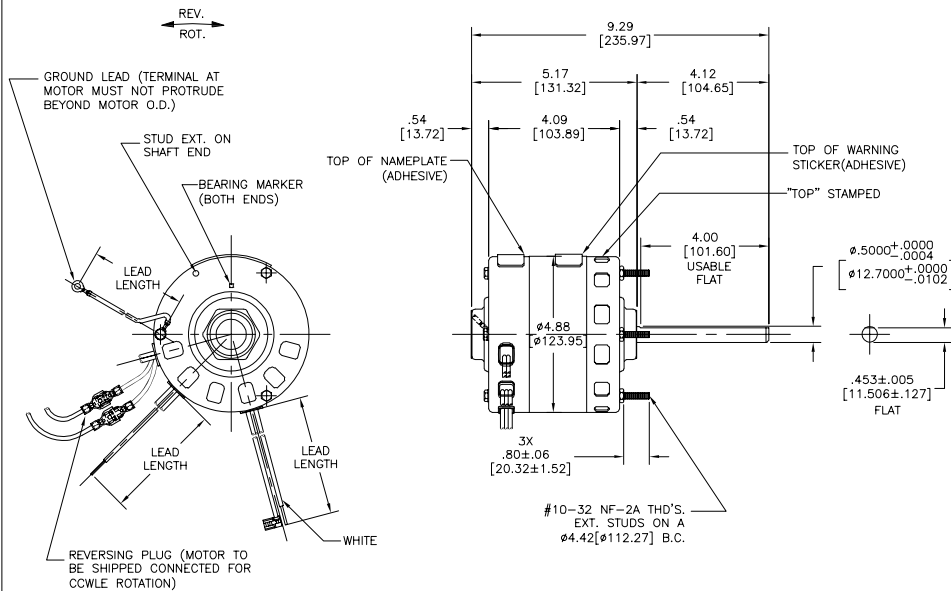
ELECTRICAL DATA:

OVERLOAD PROTECTOR: AUTOMATIC RESET (SENSATA 7AM 304)

LINE LEADS: NO. 18 GA., .03 [.76] THK. 125°C INSUL.

REVERSING LEADS: NO. 18 GA., 125°C INSUL. (.03 THK. BLACK,BLUE, AND WHITE) (.06 THK. BROWN)

GROUND LEAD: NO. 18 GA., .03 [.76] THK. (GREEN) INSUL.



GREEN(GRD)	5.0/7.0[127.0/177.8]	#10 EYELET
BLUE(REV)	4.0/6.0[101.6/152.4]	PRE-INSUL. TAB TERM.
BLACK(REV)	4.0/6.0[101.6/152.4]	PRE-INSUL. SPADE TERM.
WHITE(REV)	4.0/6.0[101.6/152.4]	PRE-INSUL. TAB TERM.
BROWN(REV)	4.0/6.0[101.6/152.4]	PRE-INSUL. SPADE TERM.
BROWN/WHITE TRACER	12.0/14.0[304.8/355.6]	.25[6.35] FLAG
BROWN	12.0/14.0[304.8/355.6]	.25[6.35] FLAG
BLUE	28.0/30.0[711.2/762.0]	.60 [15.24] SKIN
RED	28.0/30.0[711.2/762.0]	.60 [15.24] SKIN
BLACK	28.0/30.0[711.2/762.0]	.60 [15.24] SKIN
WHITE	28.0/30.0[711.2/762.0]	.60 [15.24] SKIN
COLOR	LENGTH	TERMINAL OR STRIP LENGTH

REGAL-BELOIT CORPORATION (RBC) PROVIDES TECHNICAL ASSISTANCE TO OUR CUSTOMERS IN SEVERAL AREAS. SINCE RBC DOES NOT RECEIVE ALL DATA CONCERNING THE USE AND APPLICATION OF THE MOTOR, THE SUITABILITY OF THE MOTOR FOR THE APPLICATION MUST BE DETERMINED BY THE CUSTOMER.

DIMENSIONS WITHOUT TOLERANCES ARE FOR REFERENCE ONLY.

MAIN FRAME - OLE	OPEN
END FRAME - OLE	OPEN
MAIN FRAME - LE	OPEN-BELOW t
END FRAME - LE	OPEN-BELOW t

NAMEPLATE DATA:	EXTERNAL CONNECTION DIAGRAM
MODEL: 322P925 CUST. P/N: B6520 HP: 1/4 1/5 1/6 ROT: REV RPM: 1075/3 SPD TYPE: FLL FRAME: 42Y VOLTS: 230 PH: 1 AMPS: 2.0 HZ: 60 INS: B* AMB: 40C DUTY: AIR OVER CODE: - CAP.: 5 MFD/370V UL LOGO CSA LOGO THERMALLY PROTECTED TYPE C	

PERFORMANCE CURVE NO.	TORQUE @1075 RPM (25°C)	APPROVED SAMPLE	UL COMPONENT	CSA
FILE #	CCN #	FILE #	CLASS #	
C30185	20.0 OZ. FT.	PSE7727C	E45993	PRGY2 LR43341 4211-01

LEAD DATA

DRAWING REVISION	REVISION BY	DATE
A	C.ZHANG	12-18-2014
ECO	APPROVED BY	DATE
0067294	C.ZHANG	12-18-2014
ECO DESCRIPTION		
NEW DRAWING		

DRAWN BY:	C.ZHANG	Regal Beloit America, Inc.
DATE:	12-18-2014	
APPROVED BY:	C.ZHANG	
DATE:	12-18-2014	
REFERENCE:		
MATERIAL:		
PROCESS/FINISH:		
SIZE	DWG NO	B6520
THIRD ANGLE PROJECTION		

MODEL-RFHP-42FR
OUTLINE

