

# PRODUCT INFORMATION PACKET



Model No: B6411  
Catalog No: B6411  
1/8 HP Fan & Blower Motor, 1050 RPM, 208-230 Volts, 42 Frame, OAO  
Direct Drive Motors



Regal and Century are trademarks of Regal Beloit Corporation or one of its affiliated companies.  
©2020 Regal Beloit Corporation, All Rights Reserved. MC017097E





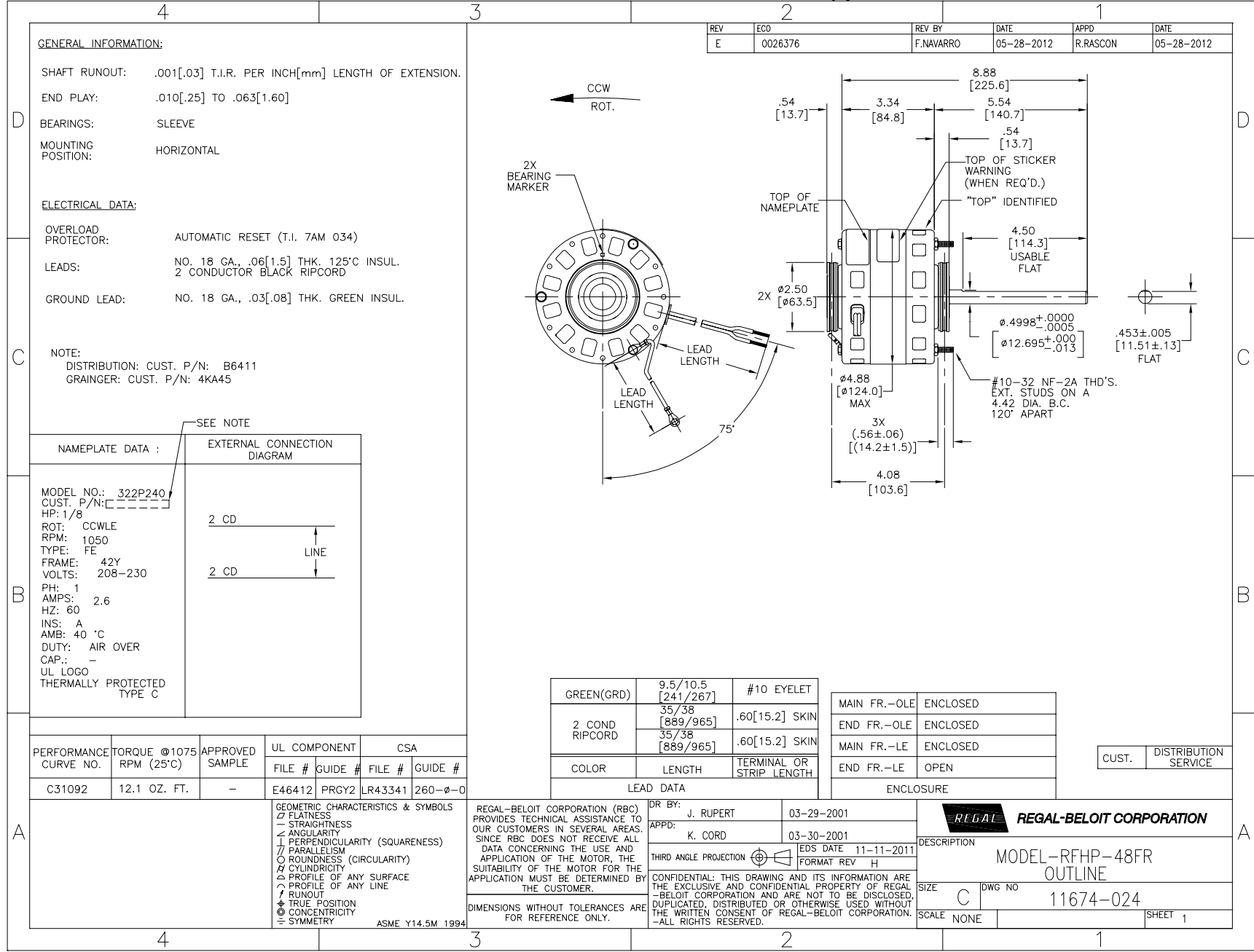
**Nameplate Specifications**

Output HP	1/8 Hp	Output KW	0.10 kW
Frequency	60 Hz	Voltage	208-230 V
Current	2.6 A	Speed	1050 rpm
Service Factor	1	Phase	1
Duty	Air Over	Insulation Class	A
Frame	42Y	Enclosure	Open Air Over
Thermal Protection	Automatic	Ambient Temperature	40 °C
UL	Recognized	CSA	N
CE	N		

**Technical Specifications**

Electrical Type	Shaded Pole	Starting Method	Across The Line
Poles	6	Rotation	Counterclockwise Lead End
Mounting	Resilient Rings	Motor Orientation	Horizontal
Drive End Bearing	Sleeve	Opp Drive End Bearing	Sleeve
Frame Material	Rolled Steel	Shaft Type	Flat
Overall Length	8.88 in	Shaft Diameter	0.500 in
Shaft Extension	5.5 in		
Connection Drawing	261B865F01	Outline Drawing	11674-024-S01

This is an uncontrolled document once printed or downloaded and is subject to change without notice. Date Created:27/05/2020



**GENERAL INFORMATION:**  
 SHAFT RUNOUT: .001[.03] T.I.R. PER INCH[mm] LENGTH OF EXTENSION.  
 END PLAY: .010[.25] TO .063[1.60]  
 BEARINGS: SLEEVE  
 MOUNTING POSITION: HORIZONTAL

**ELECTRICAL DATA:**  
 OVERLOAD PROTECTOR: AUTOMATIC RESET (T.I. 7AM 034)  
 LEADS: NO. 18 GA., .06[1.5] THK. 125°C INSUL. 2 CONDUCTOR BLACK RIPCORD  
 GROUND LEAD: NO. 18 GA., .03[.08] THK. GREEN INSUL.

NOTE:  
 DISTRIBUTION: CUST. P/N: B6411  
 GRAINGER: CUST. P/N: 4KA45

NAMEPLATE DATA :	EXTERNAL CONNECTION DIAGRAM			
MODEL NO.: 322P240 CUST. P/N: [ ] HP: 1/8 ROT: CCWLE RPM: 1050 TYPE: FE FRAME: 42Y VOLTS: 208-230 PH: 1 AMPS: 2.6 HZ: 60 INS: A AMB: 40 °C DUTY: AIR OVER CAP.: - UL LOGO THERMALLY PROTECTED TYPE C	<table border="1"> <tr> <td>2 CD</td> <td rowspan="2">LINE</td> </tr> <tr> <td>2 CD</td> </tr> </table>	2 CD	LINE	2 CD
2 CD	LINE			
2 CD				

PERFORMANCE CURVE NO.	TORQUE @1075 RPM (25°C)	APPROVED SAMPLE	UL COMPONENT		CSA	
C31092	12.1 OZ. FT.	-	FILE #	GUIDE #	FILE #	GUIDE #
			E46412	PRGY2	LR43341	260-0-0

GREEN(GRD)	9.5/10.5 [241/267]	#10 EYELET
2 COND RIPCORD	35/38 [889/965]	.60[15.2] SKIN
	35/38 [889/965]	.60[15.2] SKIN
COLOR	LENGTH	TERMINAL OR STRIP LENGTH

MAIN FR.-OLE	ENCLOSED
END FR.-OLE	ENCLOSED
MAIN FR.-LE	ENCLOSED
END FR.-LE	OPEN

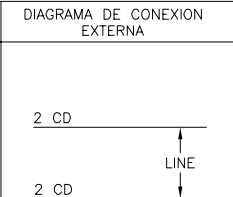
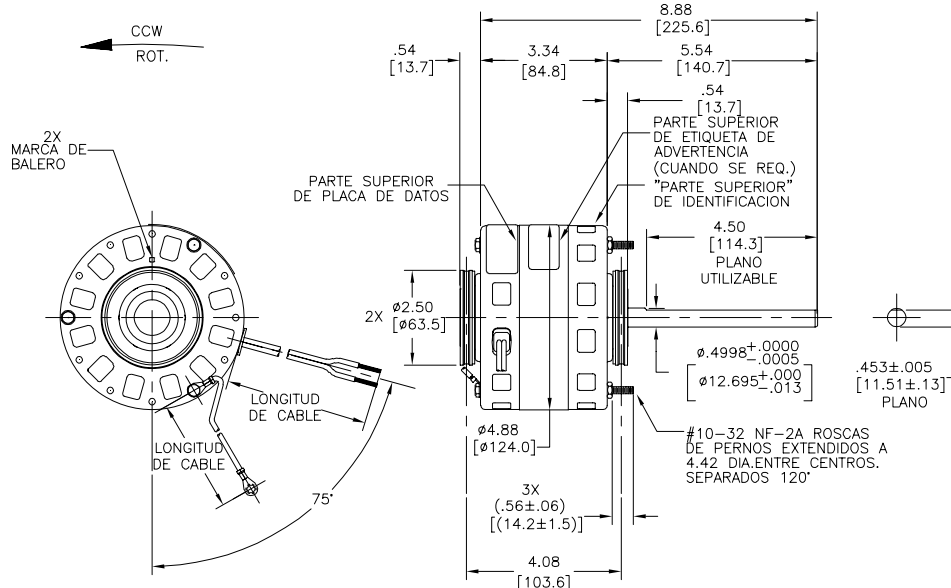
CUST. DISTRIBUTION SERVICE

**GEOMETRIC CHARACTERISTICS & SYMBOLS**  
 ▯ FLATNESS  
 - STRAIGHTNESS  
 < ANGLARITY  
 ⊥ PERPENDICULARITY (SQUARENESS)  
 // PARALLELISM  
 ○ ROUNDNESS (CIRCULARITY)  
 ⌀ CYLINDRICITY  
 ~ PROFILE OF ANY SURFACE  
 ~ PROFILE OF ANY LINE  
 † RUNOUT  
 → TRUE POSITION  
 ⊙ CONCENTRICITY  
 = SYMMETRY  
 ASME Y14.5M 1994

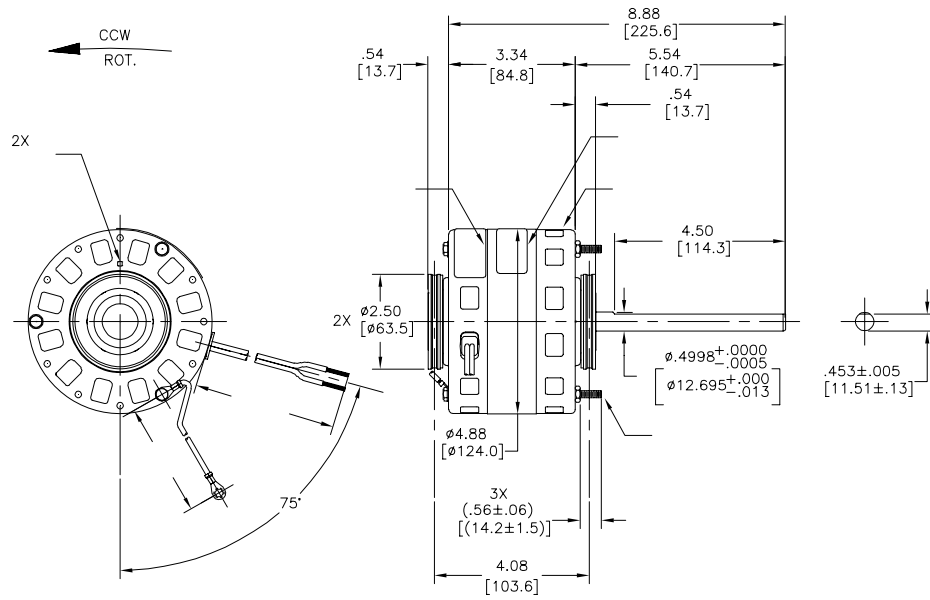
REGAL-BELOIT CORPORATION (RBC) PROVIDES TECHNICAL ASSISTANCE TO OUR CUSTOMERS IN SEVERAL AREAS. SINCE RBC DOES NOT RECEIVE ALL DATA CONCERNING THE USE AND APPLICATION OF THE MOTOR, THE SUITABILITY OF THE MOTOR FOR THE APPLICATION MUST BE DETERMINED BY THE CUSTOMER.  
 DIMENSIONS WITHOUT TOLERANCES ARE FOR REFERENCE ONLY.

DR BY: J. RUPERT 03-29-2001  
 APPD: K. CORD 03-30-2001  
 THRD ANGLE PROJECTION  
 EDS DATE 11-11-2011  
 FORMAT REV H  
 CONFIDENTIAL: THIS DRAWING AND ITS INFORMATION ARE THE EXCLUSIVE AND CONFIDENTIAL PROPERTY OF REGAL-BELOIT CORPORATION AND ARE NOT TO BE DISCLOSED, DUPLICATED, DISTRIBUTED OR OTHERWISE USED WITHOUT THE WRITTEN CONSENT OF REGAL-BELOIT CORPORATION. -ALL RIGHTS RESERVED.

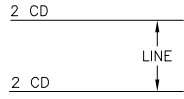
**REGAL REGAL-BELOIT CORPORATION**  
 DESCRIPTION: MODEL-RFHP-48FR OUTLINE  
 SIZE: C DWG NO: 11674-024  
 SCALE: NONE SHEET 1

4	3	2	1																		
<b>INFORMACION GENERAL:</b> OSCILACION DE FLECHA: .001[.03] L.T.I. POR PULGADA DE LONGITUD DE EXTENSION. JUEGO AXIAL: .010[.25] TO .063[1.60] BALEROS: FUNDA MOUNTING POSITION: HORIZONTAL  <b>ELECTRICAL DATA:</b> OVERLOAD PROTECTOR: RESETEO AUTOMATICO (T.I. 7AM 034) LEADS: NO. 18 GA., .06[1.5] THK. 125°C INSUL. 2 CONDUCTOR NEGRO CABLE DUPLEX GROUND LEAD: NO. 18 GA., .03[.08] GROSOR. VERDE AISL.  NOTA: 1. DISTRIBUCION: CLIENTE N/P: B6411 GRAINGER: CLIENTE N/P: 4KA45		<table border="1" style="width:100%; border-collapse: collapse;"> <tr> <td>REVISION: ECO</td> <td>REVISADO POR: F.NAVARRO</td> <td>FECHA: 05-28-2012</td> <td>APROBADO POR: R.RASCON</td> <td>FECHA: 05-28-2012</td> </tr> <tr> <td>E</td> <td>0026376</td> <td></td> <td></td> <td></td> </tr> </table>		REVISION: ECO	REVISADO POR: F.NAVARRO	FECHA: 05-28-2012	APROBADO POR: R.RASCON	FECHA: 05-28-2012	E	0026376											
REVISION: ECO	REVISADO POR: F.NAVARRO	FECHA: 05-28-2012	APROBADO POR: R.RASCON	FECHA: 05-28-2012																	
E	0026376																				
PLACA DE DATOS: <span style="float:right">VER NOTA</span> DIAGRAMA DE CONEXION EXTERNA 																					
MODEL NO.: 322P240 CUST. P/N: [ ] HP: 1/8 ROT: CCWLE RPM: 1050 TYPE: FE FRAME: 42Y VOLTS: 208-230 PH: 1 AMPS: 2.6 HZ: 60 INS: A AMB: 40 °C DUTY: AIR OVER CAP.: - UL LOGO THERMALLY PROTECTED TYPE C		<table border="1" style="width:100%; border-collapse: collapse;"> <tr> <td>VERDE(TIERRA)</td> <td>9.5/10.5 [241/267]</td> <td>#10 OJAL</td> </tr> <tr> <td>2 COND CABLE DUPLEX</td> <td>35/38 [889/965]</td> <td>.60[15.2] DESFORRE</td> </tr> <tr> <td></td> <td>35/38 [889/965]</td> <td>.60[15.2] DESFORRE</td> </tr> <tr> <td>COLOR</td> <td>LONGITUD</td> <td>TERMINAL O LOGITUD DESFORRE</td> </tr> </table>		VERDE(TIERRA)	9.5/10.5 [241/267]	#10 OJAL	2 COND CABLE DUPLEX	35/38 [889/965]	.60[15.2] DESFORRE		35/38 [889/965]	.60[15.2] DESFORRE	COLOR	LONGITUD	TERMINAL O LOGITUD DESFORRE						
VERDE(TIERRA)	9.5/10.5 [241/267]	#10 OJAL																			
2 COND CABLE DUPLEX	35/38 [889/965]	.60[15.2] DESFORRE																			
	35/38 [889/965]	.60[15.2] DESFORRE																			
COLOR	LONGITUD	TERMINAL O LOGITUD DESFORRE																			
<table border="1" style="width:100%; border-collapse: collapse;"> <tr> <td>CURVA DE DESEMPEÑO</td> <td>TORQUE @1075 RPM (25°C)</td> <td>MUESTRA APROVADA</td> <td>COMPONENT UL</td> <td>CSA</td> </tr> <tr> <td>C31092</td> <td>12.1 OZ. FT.</td> <td>-</td> <td>E46412 PRGY2</td> <td>LR43341 260-Ø-0</td> </tr> </table>		CURVA DE DESEMPEÑO	TORQUE @1075 RPM (25°C)	MUESTRA APROVADA	COMPONENT UL	CSA	C31092	12.1 OZ. FT.	-	E46412 PRGY2	LR43341 260-Ø-0	<table border="1" style="width:100%; border-collapse: collapse;"> <tr> <td>CARCAZA-LADO OPUESTO CABLES</td> <td>CERRADO</td> </tr> <tr> <td>TAPA-LADO OPUESTO CABLES</td> <td>CERRADO</td> </tr> <tr> <td>CARCAZA-LADO DE CABLES</td> <td>CERRADO</td> </tr> <tr> <td>TAPA LADO DE CABLE</td> <td>ABIERTO</td> </tr> </table>		CARCAZA-LADO OPUESTO CABLES	CERRADO	TAPA-LADO OPUESTO CABLES	CERRADO	CARCAZA-LADO DE CABLES	CERRADO	TAPA LADO DE CABLE	ABIERTO
CURVA DE DESEMPEÑO	TORQUE @1075 RPM (25°C)	MUESTRA APROVADA	COMPONENT UL	CSA																	
C31092	12.1 OZ. FT.	-	E46412 PRGY2	LR43341 260-Ø-0																	
CARCAZA-LADO OPUESTO CABLES	CERRADO																				
TAPA-LADO OPUESTO CABLES	CERRADO																				
CARCAZA-LADO DE CABLES	CERRADO																				
TAPA LADO DE CABLE	ABIERTO																				
CARACTERISTICAS DE GEOMETRIA Y SIMBOLOS ▽ PLANICIDAD - RECTITUD ∠ ANGULARIDAD ⊥ PERPENDICULARIDAD (A ESQUADRA) // PARALELISMO ○ REDONDEZ (CIRCULARIDAD) ⌀ CILINDRICIDAD ⊖ PERFIL DE CUALQUIER SUPERFICIE ~ PERFIL DE CUALQUIER LINEA † VARIACION ⊕ POSICION REAL ⊙ CONCENTRICIDAD ⇌ SIMETRIA ASME Y14.5M 1994		REGAL-BELOIT CORPORATION (RBC) PROVEE ASISTENCIA TECNICA A NUESTROS CLIENTES EN VARIAS AREAS. DESDE QUE RBC NO RECIBE TODOS LOS DATOS EN RELACION AL USO Y A LA APLICACION DEL MOTOR, LA APLICACION ADECUADA DEL MOTOR DEBE SER DETERMINADA POR EL CLIENTE. DIBUJADO POR: J. RUPERT 03-29-2001 APROBADO POR: K. CORD 03-30-2001 TERCER ANGULO DE PROYECCION CONFIDENCIAL: ESTE DIBUJO Y SU INFORMACION SON PROPIEDAD DE USO EXCLUSIVO Y CONFIDENCIAL DE REGAL-BELOIT CORPORATION. Y NO DEBERAN SER REVELADOS, DUPLICADOS, DISTRIBUIDOS O USARSE DE OTRA MANERA SIN EL CONSENTIMIENTO ESCRITO DE REGAL-BELOIT CORPORATION. -TODOS LOS DERECHOS RESERVADOS. DESCRIPCION: MODEL-RFHP-48FR OUTLINE TAMAÑO: C NUMERO DE DIBUJO: 11674-024 ESCALA: NONE HOJA: 1																			
4	3	2	1																		

版本	ECO	编制	日期	批准	日期
E	0026376	F.NAVARRO	05-28-2012	R.RASCON	05-28-2012



MODEL NO.: 322P240  
 CUST. P/N: [ ]  
 HP: 1/8  
 ROT: CCWLE  
 RPM: 1050  
 TYPE: FE  
 FRAME: 42Y  
 VOLTS: 208-230  
 PH: 1  
 AMPS: 2.6  
 HZ: 60  
 INS: A  
 AMB: 40 °C  
 DUTY: AIR OVER  
 CAP.: -  
 UL LOGO  
 THERMALLY PROTECTED  
 TYPE C



C31092	12.1 OZ. FT.	-	E46412	PRGY2	LR43341	260-0-0
--------	--------------	---	--------	-------	---------	---------

- 形位公差
- 平面度
- 直线度
- ∠ 倾斜度
- ⊥ 垂直度
- ∥ 平行度
- ⊙ 圆度
- ⊘ 圆柱度
- ⌒ 面轮廓度
- ⌚ 线轮廓度
- ↻ 圆跳动
- ⊕ 位置度
- ⊖ 同轴度
- ⇄ 对称度

ASME Y14.5M 1994

REGAL-BELOIT CORPORATION (RBC) 在个别领域为客户提供技术支持。鉴于RBC未收到任何涉及电机使用和应用环境的数据，电机的适用性由客户自己决定。

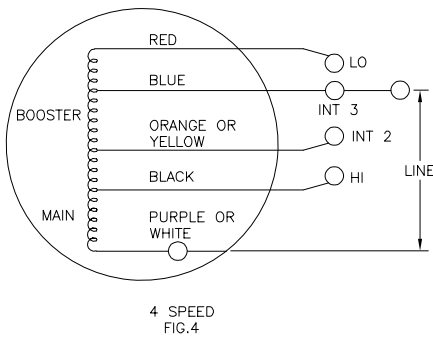
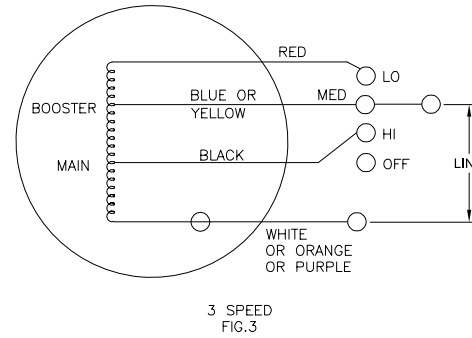
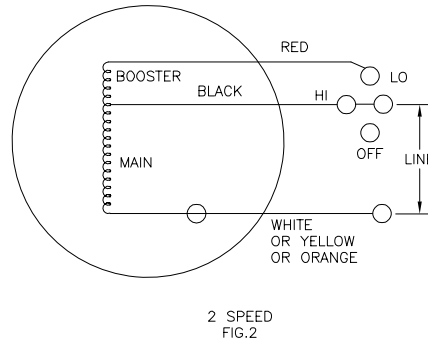
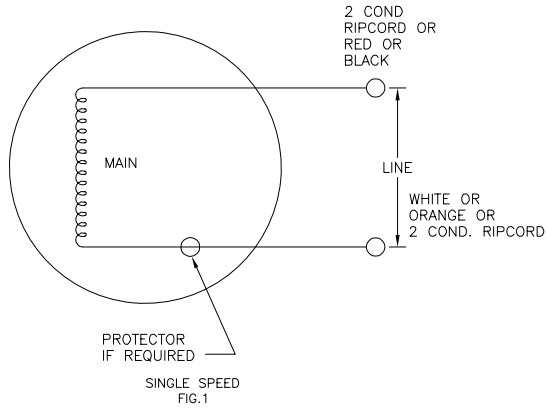
未注公差尺寸仅供参考。

绘图:	J. RUPERT	03-29-2001
批准:	K. CORD	03-30-2001
第三角投影		图纸格式发布日期 11-11-2011 图纸格式版本 H
机密: 本图纸及相关信息所有权归REGAL-BELOIT CORPORATION。未经REGAL-BELOIT CORPORATION书面授权, 不得泄露、复制、传播或作其他用途。--版权所有		

		<b>REGAL-BELOIT CORPORATION</b>	
名称 MODEL-RFHP-48FR OUTLINE			
图幅	C	图号	11674-024
比例	NONE	页号	1

REV	ECO	REV BY	DATE	APPD	DATE
T	ECO-0018824	J.HESS	04-15-2011	J.HESS	04-15-2011

FOR SINGLE SPEED ONLY  
COLOR OF LEADS TO BE OPTIONAL



QUALITY CONTROL NOTE:  
TO CHECK THE WINDINGS FOR OPENS VERIFY THE CONTINUITY AS OUTLINED BELOW.  
FIG.1 BETWEEN WHITE AND BLACK OR WHITE & RED LEADS  
FIG.2, 3 & 4, BETWEEN THE WHITE & RED LEADS.

GEOMETRIC CHARACTERISTICS & SYMBOLS

- ▭ FLATNESS
- STRAIGHTNESS
- ∠ ANGULARITY
- ⊥ PERPENDICULARITY (SQUARENESS)
- ∥ PARALLELISM
- ROUNDNESS (CIRCULARITY)
- ⊘ CYLINDRICITY
- ⌒ PROFILE OF ANY SURFACE
- ⌒ PROFILE OF ANY LINE
- ⌒ RUNOUT
- ⊕ TRUE POSITION
- ⊙ CONCENTRICITY
- ⊖ SYMMETRY

UNLESS OTHERWISE SPECIFIED  
DIM. TOLERANCES ARE AS FOLLOWS:  
INCH X XX XXX XXXX  
mm ±.1 ±.02 ±.005 ±.0005  
mm ±0.5 ±0.13 ±0.013  
ANG. ±.50 DEG  
REMOVE BURRS & BREAK SHARP EDGES:  
INCH .003-.015 mm 0.1-.04  
CORNER FILLETS TO:  
INCH .020 mm 0.5  
MACHINE SURFACES:  
INCH 125 mm 3.2  
METRIC DIMS. SHOWN IN [BRACKETS]

DR BY:	KLINE	10-24-1966
APPD:	RDS	10-27-1966
THIRD ANGLE PROJECTION		EDS DATE 02-22-2008 FORMAT REV F
CONFIDENTIAL: THIS DRAWING AND ITS INFORMATION ARE THE EXCLUSIVE AND CONFIDENTIAL PROPERTY OF A.O. SMITH CORP. AND ARE NOT TO BE DISCLOSED, DUPLICATED, DISTRIBUTED OR OTHERWISE USED WITHOUT THE WRITTEN CONSENT OF A.O. SMITH CORP. -ALL RIGHTS RESERVED. ASME Y14.5M 1994		

	<b>ELECTRICAL PRODUCTS COMPANY</b> A DIVISION OF A.O. SMITH CORPORATION
DESCRIPTION CONN DIAGRAM-EXTERNAL	
SIZE C	DWG NO 261B865F01
SCALE NONE	SHEET 1

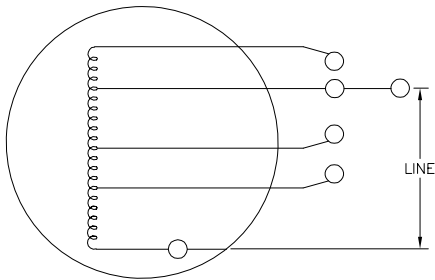
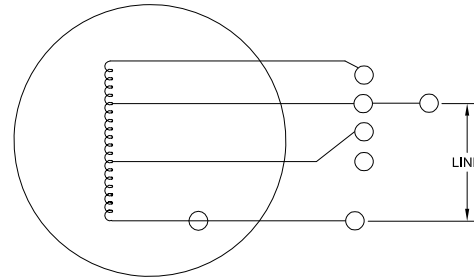
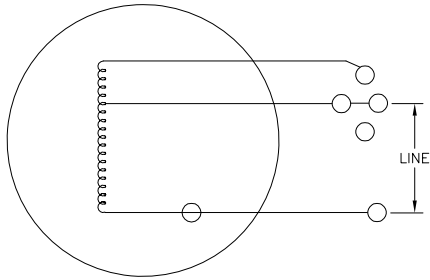
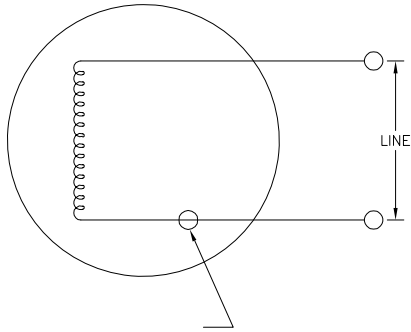
4

3

2

1

REVISION:	ECO	REVISADO POR:	FECHA:	APROBADO POR:	FECHA:
T	ECO-0018824	J.HESS	04-15-2011	J.HESS	04-15-2011



CARACTERISTICAS DE GEOMETRIA Y SIMBOLOS:  
 ▽ PLANICIDAD  
 — RECTITUD  
 ∠ ANGULARIDAD  
 ⊥ PERPENDICULARIDAD (A ESQUADRA)  
 // PARALELISMO  
 ○ REDONDEZ (CIRCULARIDAD)  
 ⌀ CILINDRICIDAD  
 ~ PERFIL DE CUALQUIER SUPERFICIE  
 ~ PERFIL DE CUALQUIER LINEA  
 † VARIACION  
 ⊕ POSICION REAL  
 ⊙ CONCENTRICIDAD  
 = SIMETRIA

A MENOS QUE SE ESPECIFIQUE DE OTRA MANERA, LAS TOLERANCIAS DE LAS DIMS. SON LAS SIGUIENTES:  
 PULG ±.1 ±.02 ±.005 ±.0005  
 mm ±0.5 ±0.13 ±0.013  
 ANG. ±50 GRADOS  
 ELIMINAR REBABAS Y ORILLAS FILOSAS DEL BORDE.  
 PULG .003-.015 mm 0.1-0.4  
 FILETEAR ESQUINA: PULG .020 mm 0.5  
 MAQUINAR SUPERFICIES  
 PULG 125 mm 3.2  
 DIMS METRICAS MOSTRADAS [PARENTESIS]

DIBUJADO POR:	KLINE	10-24-1966
APROBADO POR:	RDS	10-27-1966
TERCER ANGULO DE PROYECCION		FECHA EDS: 02-22-2008 REV. FORMATO: F

CONFIDENCIAL: ESTE DIBUJO Y SU INFORMACION SON PROPIEDAD DE USO EXCLUSIVO Y CONFIDENCIAL DE A.O.SMITH CORP. Y NO DEBERAN SER REVELADOS. DUPLICADOS, DISTRIBUIDOS O USARSE DE OTRA MANERA SIN EL CONSENTIMIENTO ESCRITO DE A.O. SMITH CORP.  
 -TODOS LOS DERECHOS RESERVADOS.ASME Y14.5M 1994

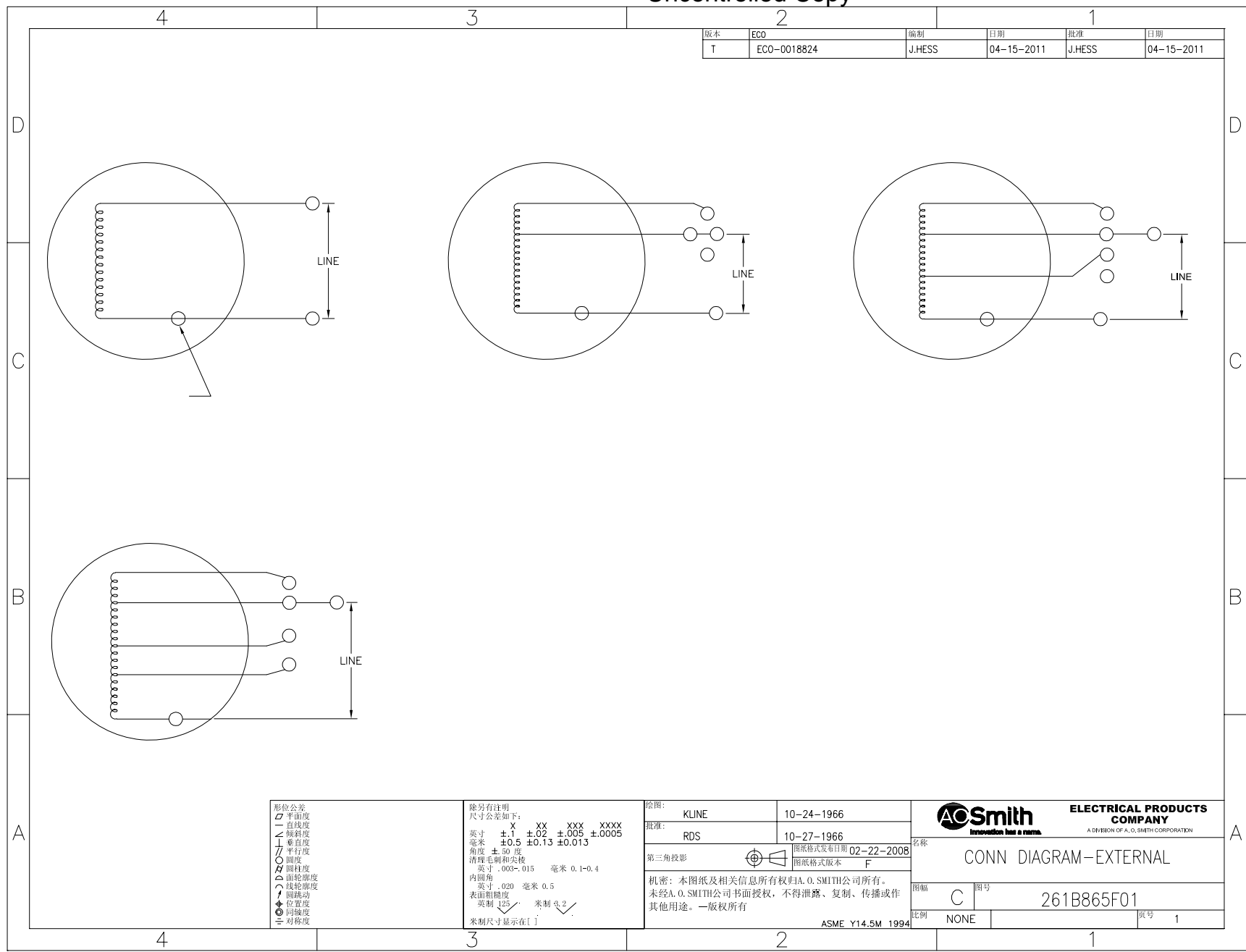
		<b>ELECTRICAL PRODUCTS COMPANY</b> A DIVISION OF A. O. SMITH CORPORATION
DESCRIPCION: CONN DIAGRAM-EXTERNAL		
TAMAÑO: C	NUMERO DE DIBUJO: 261B865F01	
ESCALA: NONE		HOJA: 1

4

3

2

1



版本	ECO	编制	日期	批准	日期
T	ECO-0018824	J.HESS	04-15-2011	J.HESS	04-15-2011

- 形位公差
- 平面度
- 直线度
- ∠ 倾斜度
- ⊥ 垂直度
- ∥ 平行度
- 圆度
- ⊙ 圆跳动
- ⌒ 圆跳动
- ⊖ 圆跳动
- ⊕ 位置度
- ⊖ 同轴度
- ≡ 对称度

除另有注明  
尺寸公差如下:

英寸	±.1	±.02	±.005	±.0005
毫米	±0.5	±0.13	±0.013	

角度 ±.50 度  
清理毛刺和尖棱  
英寸 .003-.015 毫米 0.1-0.4  
内圆角  
英寸 .020 毫米 0.5  
表面粗糙度  
英制 125 米制 3.2  
米制尺寸显示在[]

绘图:	KLINE	10-24-1966
批准:	RDS	10-27-1966
第三角投影		图纸格式发布日期 02-22-2008 图纸格式版本 F
机密: 本图纸及相关信息所有权归A. O. SMITH公司所有。 未经A. O. SMITH公司书面授权, 不得泄露、复制、传播或作 其他用途。—版权所有		
ASME Y14.5M 1994		

<b>ACSmith</b> <small>Innovation has a name.</small>		<b>ELECTRICAL PRODUCTS COMPANY</b> <small>A DIVISION OF A. O. SMITH CORPORATION</small>	
名称 <b>CONN DIAGRAM-EXTERNAL</b>			
图幅 <b>C</b>		图号 <b>261B865F01</b>	
比例 <b>NONE</b>		页号 <b>1</b>	