

# PRODUCT INFORMATION PACKET

Model No: 048C17D2044  
Catalog No: B315  
1/3,1725,DP,48Z,1/60/115/230  
Fan and Blower



Regal and Marathon are trademarks of Regal Beloit Corporation or one of its affiliated companies.  
©2018 Regal Beloit Corporation, All Rights Reserved. MC017097E



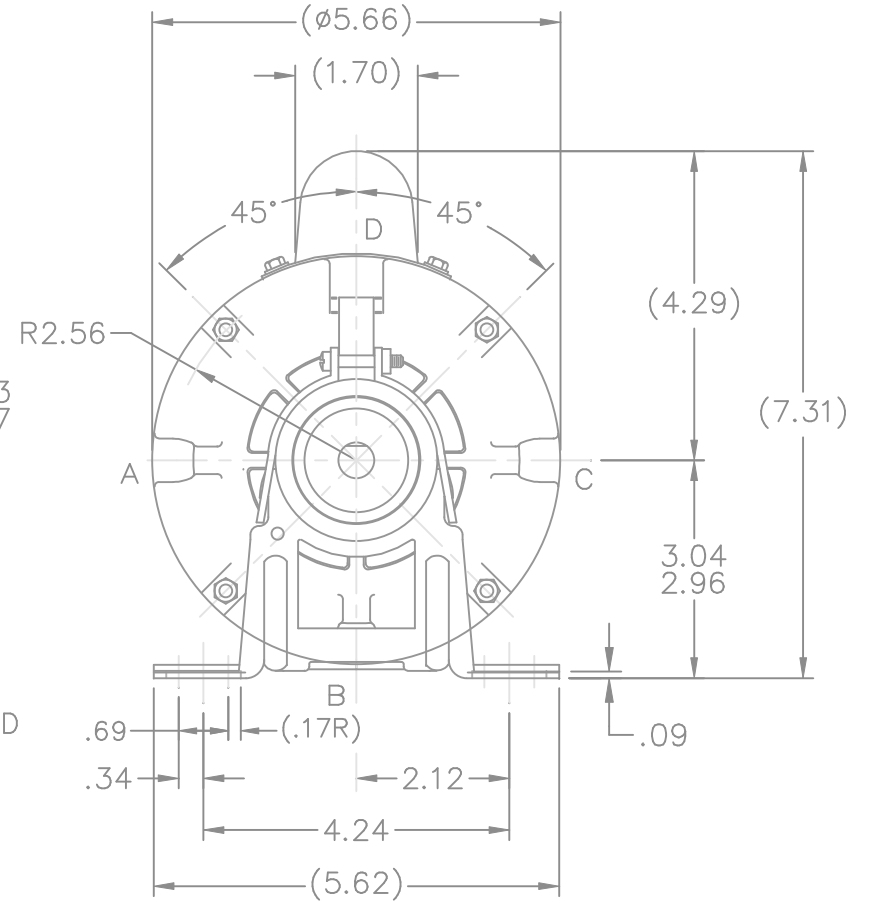
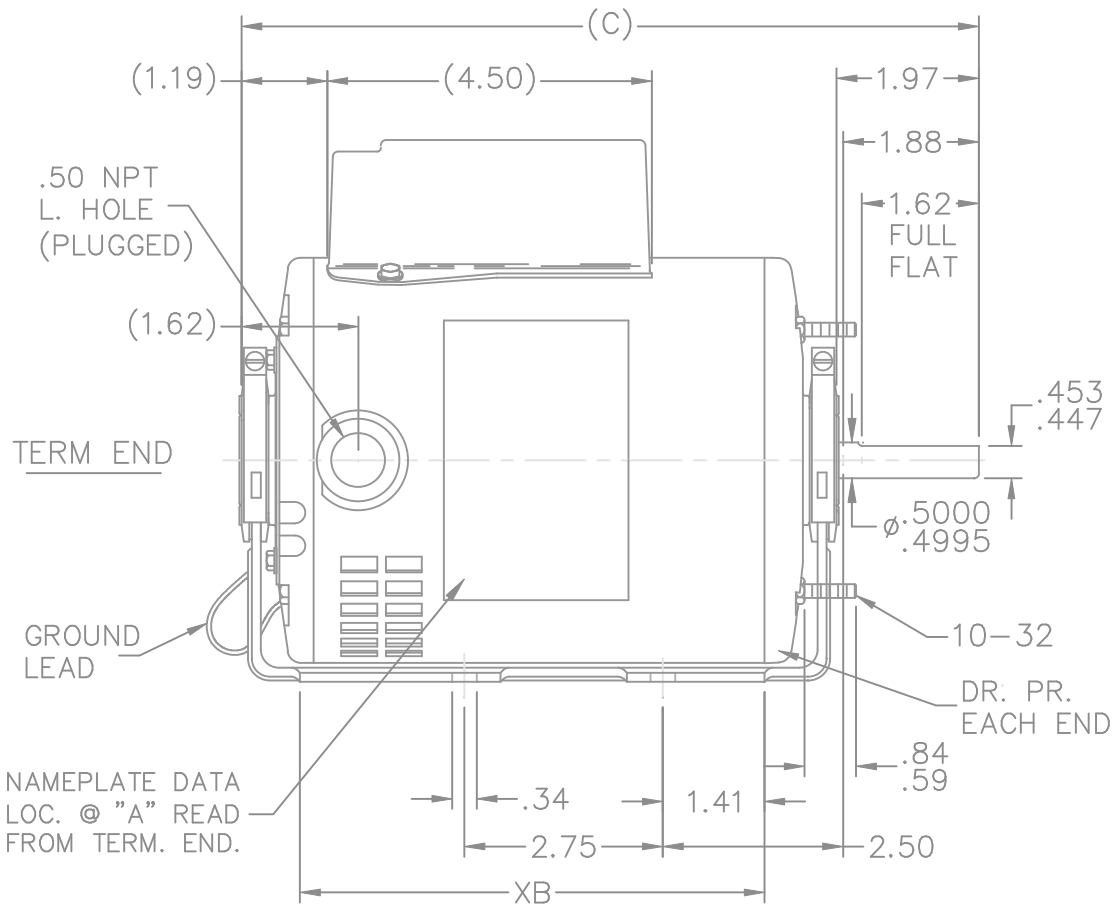
**Nameplate Specifications**

Output HP	<b>0.33 Hp</b>	Output KW	<b>0.25 kW</b>
Frequency	<b>60 Hz</b>	Voltage	<b>115/208-230 V</b>
Current	<b>5.8/3.1-2.9 A</b>	Speed	<b>1725 rpm</b>
Service Factor	<b>1.35</b>	Phase	<b>1</b>
Efficiency	<b>64 %</b>	Duty	<b>Continuous</b>
Insulation Class	<b>B</b>	Design Code	<b>NO DESIGN CODE</b>
KVA Code	<b>J</b>	Frame	<b>48Z</b>
Enclosure	<b>Drip Proof</b>	Overload Protector	<b>Automatic</b>
Ambient Temperature	<b>40 °C</b>	Drive End Bearing Size	<b>6203</b>
Opp Drive End Bearing Size	<b>6203</b>	UL	<b>Recognized</b>
CSA	<b>Y</b>	CE	<b>N</b>
IP Code	<b>22</b>		


**Technical Specifications**

Electrical Type	<b>Capacitor Start Induction Run</b>	Starting Method	<b>Across The Line</b>
Poles	<b>4</b>	Rotation	<b>Selective Counterclockwise</b>
Mounting	<b>Resilient Base - Extended Studs</b>	Motor Orientation	<b>Horizontal</b>
Drive End Bearing	<b>Ball</b>	Opp Drive End Bearing	<b>Ball</b>
Frame Material	<b>Rolled Steel</b>	Shaft Type	<b>Single Special Extension</b>
Overall Length	<b>10.22 in</b>	Frame Length	<b>6.25 in</b>
Shaft Diameter	<b>0.500 in</b>	Shaft Extension	<b>1.97 in</b>
Assembly/Box Mounting	<b>F1 Only</b>		
Outline Drawing	<b>A-SS79620-625</b>	Connection Diagram	<b>A-EE9002M</b>

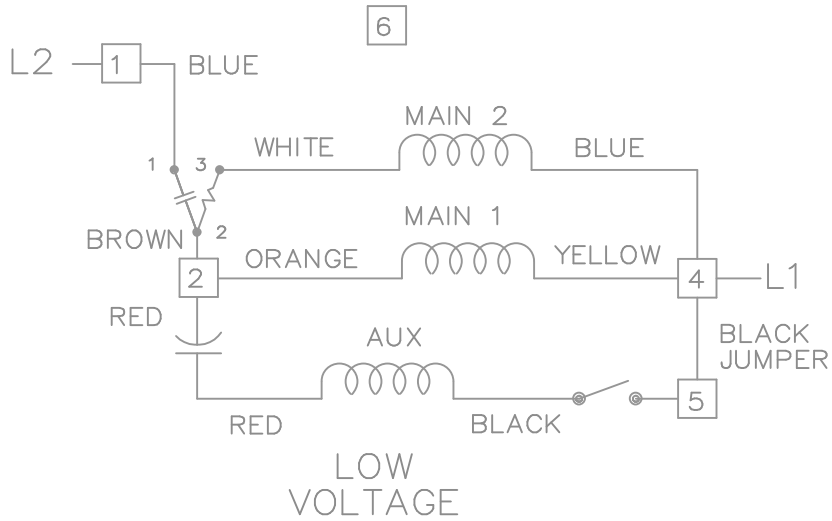
**This is an uncontrolled document once printed or downloaded and is subject to change without notice. Date Created: 10/08/2018**



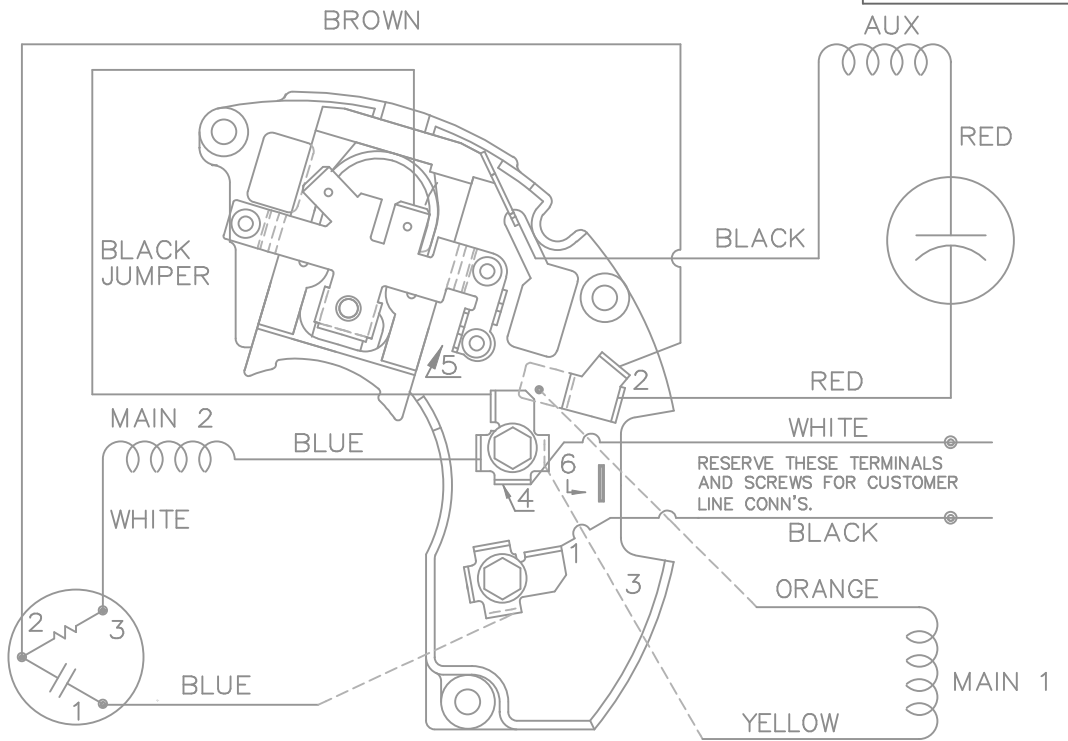
DASH	FR.	C	XB
550	48	9.47	5.69
575	48	9.72	5.94
625	48	10.22	6.44

			TOLERANCES UNLESS SPECIFIED			DRAWN DD 05-11-1993				
			DEC.	INCHES		CHK ML 05-12-1993				
			.X	±.1		APPD SAT 05-12-1993				
6	UPDATED DRAWING	TJW 04/27/2007	.XX	±.03	TITLE OUTLINE	SCALE 3=8				
5	REDRAWN IN AUTOCAD	TAT 09-01-2004	ML	.XXX ±.005		REF				
4	REDRAWN ON CADD 4031395	DD 05-17-1993		.XXXX ±.0005	MAT'L.	FMF				
NO.	REVISION	BY & DATE	CHK	ANG	FINISH	PREV				
			RFP		CAD FILE ss79620	SIZE A	DRAWING NO. SS79620	PAGE	OF	REV. 6
			DIST	WP						

THIS DRAWING IN DESIGN AND DETAIL IS OUR PROPERTY AND MUST NOT BE USED EXCEPT IN CONNECTION WITH OUR WORK ALL RIGHTS OF DESIGN AND INVENTION ARE RESERVED THIS IS AN ELECTRONICALLY GENERATED DOCUMENT - DO NOT SCALE THIS PRINT

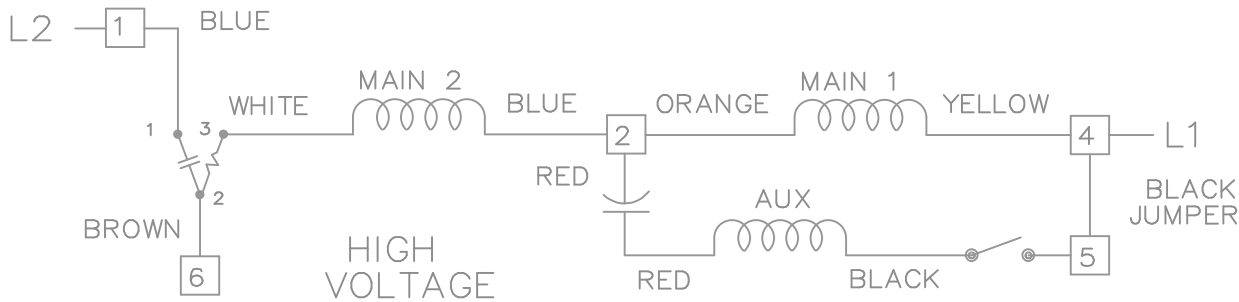


DUAL VOLTAGE CAPACITOR START REVERSIBLE ON TERM BOARD WITH OVERLOAD PROTECTION



VIEWING TERM END

LOW VOLTAGE CCW ROTATION SHOWN.



FOR HIGH VOLTAGE CONNECT BROWN TERM 2 TO TERM 6. CONNECT BLUE TERM 4 TO TERM 2.

TO REVERSE ROTATION EITHER VOLTAGE INTERCHANGE RED LEAD WITH BLACK LEAD.

				TOLERANCES UNLESS SPECIFIED		MARATHON ELECTRIC	DRAWN BW 02-22-1990					
				DEC.	INCHES		CHK	ML	02-22-1990			
				.X	± -	TITLE CONNECTION DIAGRAM 48 FR. DUAL VOLTAGE REVERSIBLE	APPD	GK	02-22-1990	SCALE	1=1	
3	ROUTING OF BLACK JUMPER	CN 35440	BJK 08-20-2002	.XX	± -		MAT'L.	REF				
2	REVISED BLACK LINE LOCATION	CN 6427	RM 01-28-1991	.XXX	± -		FINISH	FMF				
1	NEW DRAWING		BW 02-22-1990	.XXXX	± -			PREV				
NO.	REVISION		BY & DATE	CHK	ANG	± -						
THIS DRAWING IN DESIGN AND DETAIL IS OUR PROPERTY AND MUST NOT BE USED EXCEPT IN CONNECTION WITH OUR WORK ALL RIGHTS OF DESIGN AND INVENTION ARE RESERVED THIS IS AN ELECTRONICALLY GENERATED DOCUMENT - DO NOT SCALE THIS PRINT				RFP	CAD FILE EE9002M			SIZE	DRAWING NO.	PAGE	OF	REV.
				DIST	WP				A	EE9002M	3	



\*\* Subject to change without notice.