

PRODUCT INFORMATION PACKET



Model No: FSE1026SV1
Catalog No: FSE1026SV1
1/4 HP Condenser Fan Motor, 1075 RPM, 208-230 Volts, 48 Frame, TEAO
Condenser Fans Motors



Regal and Century are trademarks of Regal Beloit Corporation or one of its affiliated companies.
©2020 Regal Beloit Corporation, All Rights Reserved. MC017097E





Nameplate Specifications

Output HP	1/4 Hp	Output KW	0.19 kW
Frequency	60 Hz	Voltage	208-230 V
Current	1.9 A	Speed	1075 rpm
Service Factor	1	Phase	1
Duty	Air Over	Insulation Class	B
Frame	48	Enclosure	Totally Enclosed
Thermal Protection	Automatic	Ambient Temperature	60 °C
UL	Recognized	CSA	Y
CE	N		

Technical Specifications

Electrical Type	Permanent Split Capacitor	Starting Method	Across The Line
Poles	6	Rotation	Reversible
Mounting	Extended Studs	Motor Orientation	Any
Drive End Bearing	Sleeve	Opp Drive End Bearing	Sleeve
Frame Material	Rolled Steel	Shaft Type	Double Flat
Overall Length	11.36 in	Frame Length	3.75 in
Shaft Diameter	0.500 in	Shaft Extension	6.4 in
Connection Drawing	614131-242	Outline Drawing	FSE1026SV1-S01

This is an uncontrolled document once printed or downloaded and is subject to change without notice. Date Created:22/09/2020

GENERAL INFORMATION:

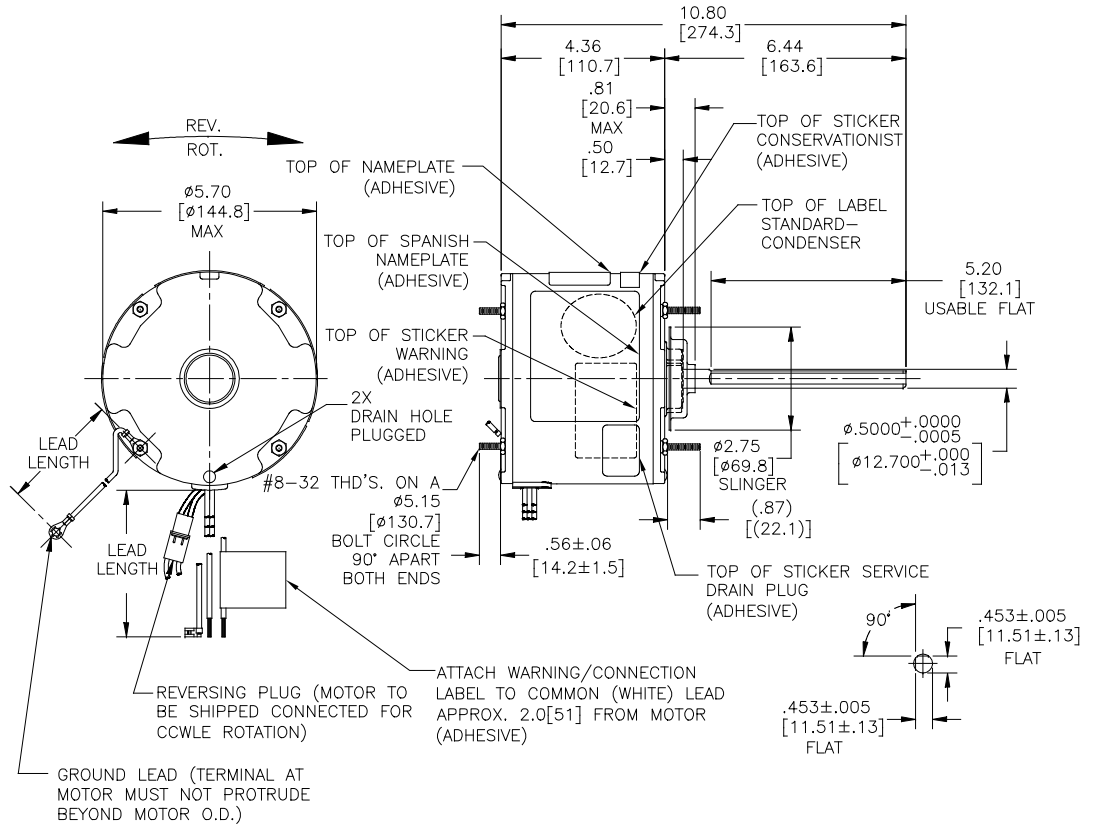
SHAFT RUNOUT: .001[.03] T.I.R. PER INCH LENGTH OF EXTENSION
 END PLAY: .010 TO .063 [.25 TO 1.60]
 BEARINGS: SLEEVE
 MOUNTING POSITION: ALL ANGLE

ELECTRICAL DATA:

OVERLOAD PROTECTOR: AUTOMATIC RESET (SENSATA 7AM 036)
 LEADS: NO. 18 GA., .06[1.5] THK. 125°C INSUL.
 GROUND LEAD: NO. 18 GA., .03[.8] THK. GREEN INSUL.

NOTES:

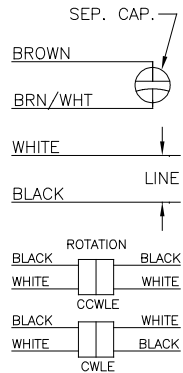
1. DISTRIBUTION: CUST. P/N: FSE1026SV1
2. THE SYMBOL OF CTQ: ▲ (NO CTQ ON THIS DRAWING)
3. MEET THE REQUIREMENT OF ROHS AND REACH: SEE EP000014_5.1



NAMEPLATE DATA:

MODEL NO.: F48AH18A01
 CUST. P/N: []
 HP: 1/4
 ROT.: REVERSIBLE
 RPM: 1075
 TYPE: UF
 FRAME: 48
 VOLTS: 208-230
 PH: 1
 AMPS: 1.9
 HZ: 60
 INS.: B
 AMB.: 60°C
 DUTY: AIR OVER
 CAP.: 5 MFD/370 V
 ENCL: ENCLOSED
 UL LOGO
 CSA LOGO
 THERMALLY PROTECTED

EXTERNAL CONNECTION DIAGRAM



614131-242

GREEN (GROUND)	12.0/13.0 [305/330]	#10 EYELET
BLACK/WHITE	3.0/5.0 [76/127]	REVERSING PLUG
BROWN	36.0/39.0 [914/991]	.25[6.4] FLAG
BROWN/WHITE	36.0/39.0 [914/991]	.25[6.4] FLAG
WHITE	36.0/39.0 [914/991]	.50[12.7] SKIN
BLACK	36.0/39.0 [914/991]	.50[12.7] SKIN
COLOR	LENGTH	TERMINAL OR STRIP LENGTH

REGAL-BELOIT CORPORATION (RBC) PROVIDES TECHNICAL ASSISTANCE TO OUR CUSTOMERS IN SEVERAL AREAS. SINCE RBC DOES NOT RECEIVE ALL DATA CONCERNING THE USE AND APPLICATION OF THE MOTOR, THE SUITABILITY OF THE MOTOR FOR THE APPLICATION MUST BE DETERMINED BY THE CUSTOMER.

DIMENSIONS WITHOUT TOLERANCES ARE FOR REFERENCE ONLY.

MAIN FRAME - OLE	ENCLOSED
END FRAME - OLE	ENCLOSED
MAIN FRAME - LE	ENCLOSED
END FRAME - LE	ENCLOSED

CUSTOMER	DISTRIBUTION SERVICE
----------	----------------------

PERFORMANCE CURVE NO.	TORQUE @ 1075 RPM (25°C)	APPROVED SAMPLE	UL COMPONENT		CSA	
			FILE #	CCN #	FILE #	CLASS #
C0000954	30.0 OZ. FT.	OER-0009869B	E46412	PRGY2	LR43341	4211-01

DRAWING REVISION		DATE
H	REVISION BY CADDIE.ZHOU	03-05-2020
ECC	APPROVED BY KEYUN.GONG	03-05-2020
ECO-0182191		
ADD SPANISH NAMEPLATE AND NOTES 2&3		
COPYRIGHT REGAL-BELOIT CORPORATION, INC. ALL RIGHTS RESERVED. PROPRIETARY AND CONFIDENTIAL INFORMATION - THIS DOCUMENT IS THE PROPERTY OF REGAL-BELOIT CORPORATION, INC. (RBC) AND CONTAINS OWNERS PROPRIETARY INFORMATION. ANY REPRODUCTION OR OTHER USE WITHOUT THE WRITTEN PERMISSION OF RBC IS STRICTLY PROHIBITED. BY RECEIVING IT, TO AGREE THAT IT, AND/OR ANY PART OF IT, SHALL NOT BE DISCLOSED TO ANY PERSON, CORPORATION OR OTHER ENTITY, EMPLOYEE, AND/OR USER, EXCEPT AS EXPRESSLY APPROVED IN WRITING BY RBC. THIS DOCUMENT SHALL BE RETURNED TO OWNER UPON REQUEST. IT MAY BE SUBJECT TO CERTAIN RESTRICTIONS UNDER APPLICABLE EXPORT CONTROL LAWS AND REGULATIONS.		

DRAWN BY: J.M. RAMIREZ	DATE: 06-08-2011
APPROVED BY: S. JIMENEZ	DATE: 06-08-2011
PROCESS/FINISH: -	THIRD ANGLE PROJECTION

DESCRIPTION: MODEL-RFHP-48FR OUTLINE	MATERIAL: -
SIZE: C	DWG NO: FSE1026SV1
SHEET: 1	

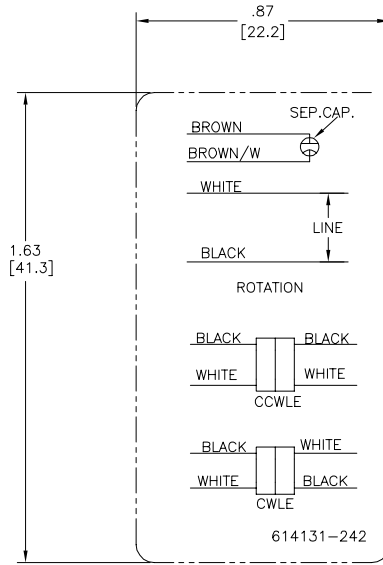
4

3

2

1

REV	ECO	REV BY	DATE	APPD	DATE
D	0029048	D.RODRIGUEZ	10-18-2012	J.HESS	10-18-2012



- NOTES:
 1. FOR USE WITH 614129 OR 2513020-001 NAMEPLATE BLANKS
 2. ----- INDICATES DIMENSION LIMITS

GEOMETRIC CHARACTERISTICS & SYMBOLS	
▭	FLATNESS
—	STRAIGHTNESS
∠	ANGULARITY
⊥	PERPENDICULARITY (SQUARENESS)
∥	PARALLELISM
○	ROUNDNESS (CIRCULARITY)
⊘	CYLINDRICITY
△	PROFILE OF ANY SURFACE
∩	PROFILE OF ANY LINE
⌀	RUNOUT
⊕	TRUE POSITION
◎	CONCENTRICITY
⊖	SYMMETRY

UNLESS OTHERWISE SPECIFIED DIM. TOLERANCES ARE AS FOLLOWS:	
INCH	±.1 ±.02 ±.005 ±.0005
mm	±0.5 ±0.13 ±0.013
ANG. ±.50 DEG	
REMOVE BURRS & BREAK SHARP EDGES:	
INCH	.003-.015
mm	0.1-.4
CORNER FILLETS TO:	
INCH	.020
mm	0.5
MACHINE SURFACES:	
INCH	125
mm	3.2
METRIC DIMS. SHOWN IN [BRACKETS]	

DR BY:	YL	04-15-2011
APPD:	HZ	04-15-2011
THIRD ANGLE PROJECTION	⊕	EDS DATE 11-11-2011 FORMAT REV H
CONFIDENTIAL: THIS DRAWING AND ITS INFORMATION ARE THE EXCLUSIVE AND CONFIDENTIAL PROPERTY OF REGAL-BELOIT CORPORATION AND ARE NOT TO BE DISCLOSED, DUPLICATED, DISTRIBUTED OR OTHERWISE USED WITHOUT THE WRITTEN CONSENT OF REGAL-BELOIT CORPORATION. -ALL RIGHTS RESERVED.		

REGAL REGAL-BELOIT CORPORATION	
DESCRIPTION CONN DIAGRAM-NAMEPLATE	
SIZE C	DWG NO 614131-242
SCALE NONE	SHEET 1

4

3

2

1

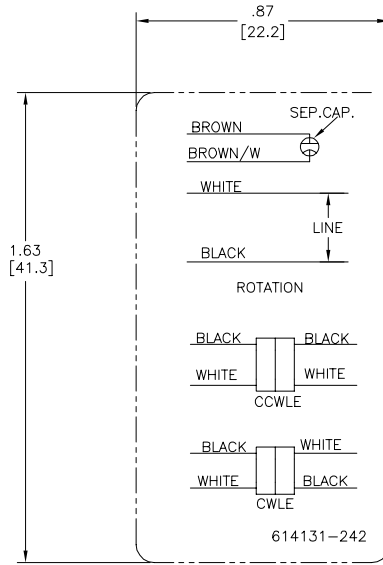
4

3

2

1

REVISION:	ECO	REVISADO POR:	FECHA:	APROBADO POR:	FECHA:
D	0029048	D.RODRIGUEZ	10-18-2012	J.HESS	10-18-2012



NOTAS:
 1. PARA USO CON PLACA DE DATOS EN BLANCO REGAL-BELOIT BRANDS
 2. INDICATES DIMENSION LIMITS
 2. INDICA LIMITES DE DIMENSION

CARACTERISTICAS DE GEOMETRIA Y SIMBOLOS ▽ PLANICIDAD — RECTITUD ∠ ANGULARIDAD ⊥ PERPENDICULARIDAD (A ESCUADRA) // PARALELISMO ○ REDONDEZ (CIRCULARIDAD) ⌀ CILINDRICIDAD ~ PERFIL DE CUALQUIER SUPERFICIE ∩ PERFIL DE CUALQUIER LINEA † VARIACION ⊕ POSICION REAL ⊙ CONCENRICIDAD ≡ SIMETRIA	A MENOS QUE SE ESPECIFIQUE DE OTRA MANERA, LAS TOLERANCIAS DE LAS DIMS. SON LAS SIGUIENTES: PULG ±.1 ±.02 ±.005 ±.0005 mm ±0.5 ±0.13 ±0.013 ANG. ±50 GRADOS ELIMINAR REBASAS Y ORILLAS FILOSAS DEL BORDE. PULG .003-.015 mm 0.1-0.4 FILETEAR ESQUINA: PULG .020 mm 0.5 MAQUINAR SUPERFICIES PULG 125 mm 3.2 DIMS METRICAS MOSTRADAS [PARENTESIS]	DIBUJADO POR: YL	04-15-2011	REGAL-BELOIT CORPORATION
		APROBADO POR: HZ	04-15-2011	
		TERCER ANGULO DE PROYECCION	FECHA EDS: 11-11-2011 REV. FORMATO: H	TAMAÑO: C
		CONFIDENCIAL: ESTE DIBUJO Y SU INFORMACION SON PROPIEDAD DE USO EXCLUSIVO Y CONFIDENCIAL DE REGAL-BELOIT CORPORATION. Y NO DEBERAN SER REVELADOS, DUPLICADOS, DISTRIBUIDOS O USARSE DE OTRA MANERA SIN EL CONSENTIMIENTO ESCRITO DE REGAL-BELOIT CORPORATION. -TODOS LOS DERECHOS RESERVADOS.		NUMERO DE DIBUJO: 614131-242
				ESCALA: NONE
				HOJA: 1

4

3

2

1