

PRODUCT INFORMATION PACKET

FASCO®

Model No: D921
Catalog No: D921
1/3 HP Condenser Fan Motor, 825 RPM, 230/460 Volts, 48 Frame, Semi Enclosed
Condenser Fans Motors



Regal and Fasco are trademarks of Regal Beloit Corporation or one of its affiliated companies.
©2019 Regal Beloit Corporation, All Rights Reserved. MC017097E

REGAL



Nameplate Specifications

Output HP	1/3 Hp	Output KW	0.25 kW
Frequency	60 Hz	Voltage	230/460 V
Current	2.70/ 1.40 A	Speed	825 rpm
Service Factor	1	Phase	1
Duty	Continuous Air Over	Insulation Class	B
Frame	48	Enclosure	Open Air Over
Thermal Protection	Thermally Protected	Ambient Temperature	60 °C
UL	Recognized	CSA	Y
CE	N		

Technical Specifications

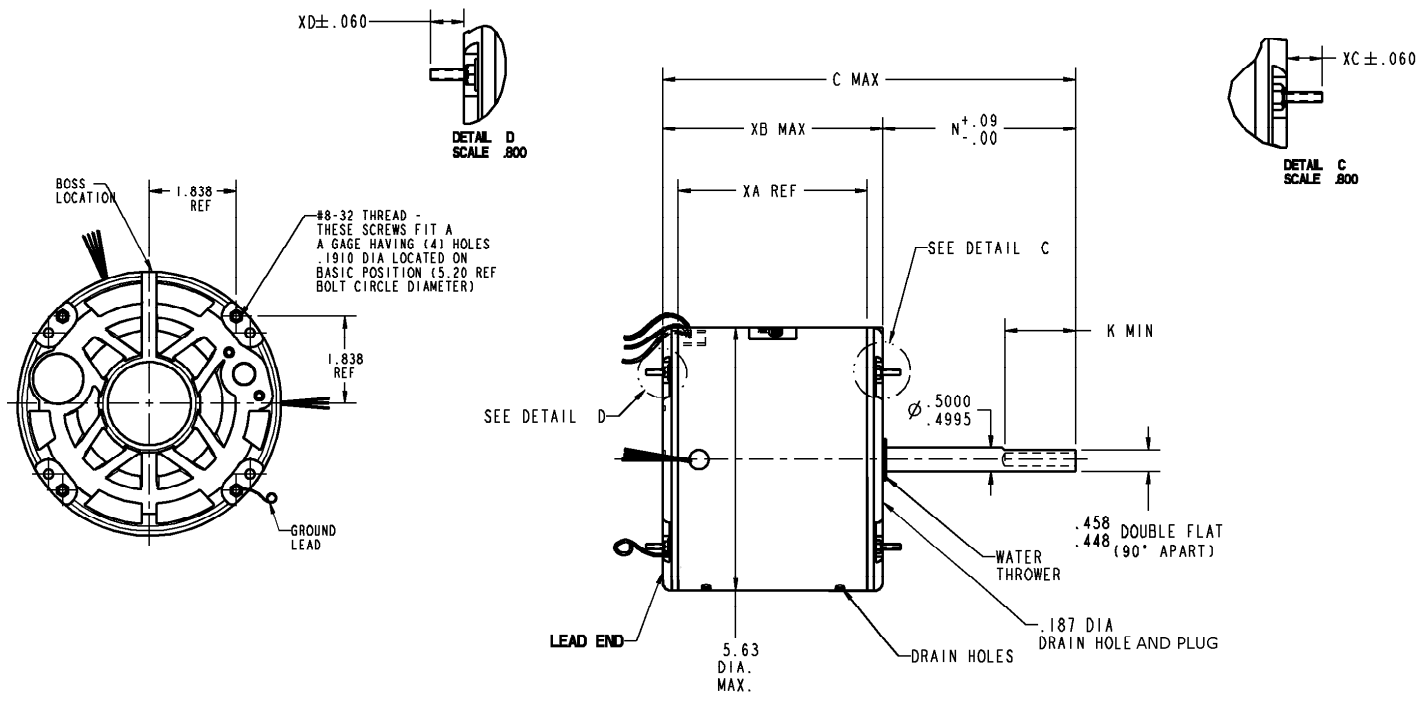
Electrical Type	Permanent Split Capacitor	Poles	8
Rotation	Reversible	Mounting	Extended Studs
Motor Orientation	Any	Drive End Bearing	Ball
Opp Drive End Bearing	Ball	Frame Material	Rolled Steel
Shaft Type	Double Flat	Overall Length	11.73 in
Frame Length	4.57 in	Shaft Diameter	0.500 in
Shaft Extension	6.42 in	Thru-bolts Extension	1.25 in

This is an uncontrolled document once printed or downloaded and is subject to change without notice. Date Created:29/10/2019

NAME: 501221413 OBJECT: MOTOR_OUTLINE_LEADTABLE DATE: 07-May-09 14:31:16

SIZE DRAWING NO. **5KCP39MFBB46S** REV **3** SHEET **1**

VENTILATION SYSTEM		RBC PROPRIETARY AND CONFIDENTIAL INFORMATION This document is the property of REGAL BELOIT CORPORATION ("RBC") including its subsidiaries and divisions and contains proprietary information of RBC. This document is loaned on the express condition that neither it nor the information contained therein shall be disclosed to others without the express written consent of RBC, and that the information shall be used by the recipient only as approved expressly by RBC. This document shall be returned to RBC upon its request. This document may be subject to certain restrictions under U.S. export control laws and regulations.	REVISIONS			
SHELL VENTS	CLOSED		REV.	DESCRIPTION	DATE	APPROVED
ENDSHIELD (OPP. LEAD END)	CLOSED		2.	RELEASE TO PROD PER IS:09-2718	07/09/09	AVL
ENDSHIELD (LEAD END)	OPEN	3.	ADDED DRAIN PLUG	09/17/09	AVL	

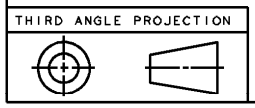


NOTE:
1. DIMENSIONS SHOWN ARE NOMINAL UNLESS OTHERWISE SPECIFIED.

SNO	CONNECTION	COLOR	ENT TYPE	ENT LOC (PENDING LB)	QNTY	MATERIAL	WIRE SIZE	LENGTH	TERMINATION
1	COMMON LEAD	PURPLE	12 CU IN CBOX HOLE	3:00	18	THERMOPLASTIC	4/64	27.00	.50 BWS
2	REV LEAD	YELLOW	SHELL NOTCH	11:20	18	THERMOPLASTIC	4/64	4.00	25 MALE 150C
3	CAPACITOR LEAD	BR/WH	SHELL NOTCH	11:20	18	THERMOPLASTIC	4/64	27.00	.25 FOC
4	REV LEAD	ORANGE	SHELL NOTCH	11:20	18	THERMOPLASTIC	4/64	4.00	.25 MALE 150C
5	CAPACITOR LEAD	BROWN	SHELL NOTCH	11:20	18	THERMOPLASTIC	4/64	27.00	.25 FOC
6	REV LEAD	BROWN	SHELL NOTCH	11:20	18	THERMOPLASTIC	4/64	4.00	.25 FISOC LO INS FORCE
7	DUAL VOLTAGE LEAD	BLUE	12 CU IN CBOX HOLE	3:00	18	THERMOPLASTIC	4/64	27.00	.50 BWS
8	DUAL VOLTAGE LEAD	YELLOW	12 CU IN CBOX HOLE	3:00	18	THERMOPLASTIC	4/64	27.00	.50 BWS
9	DUAL VOLTAGE LEAD	RED	12 CU IN CBOX HOLE	3:00	18	THERMOPLASTIC	4/64	27.00	.50 BWS
10	DUAL VOLTAGE LEAD	BLACK	12 CU IN CBOX HOLE	3:00	18	THERMOPLASTIC	4/64	27.00	.50 BWS
11	REV LEAD	PURPLE	SHELL NOTCH	11:20	18	THERMOPLASTIC	4/64	4.00	.25 FISOC LO INS FORCE
12	GROUND	GRN-YEL	CLAMPSCREW	4:30	18	THERMOPLASTIC	2/64	12.00	#10 SERR EYELET

NAMEPLATE DATA	
MODEL	5KCP39MFBB46S
CUST P/N	MODEL D921
HP	1/3
RPM	825
VOLTS	230/460
HZ	60
SPEEDS	1
AMPS	2.70/ 1.40
CAP REVD-1	5.00µfd/370Volts
CAP REVD-2	N/R
CONNL ORN	NP24X350100
ROTATION	CCW/CW (VIEWED FROM)

1.25	.75								
XC	XD								
11.73	6.42	5.37	N/A	N/A	N/A	4.57	5.23		
C	N	K	XN	XK	LM	XA	XB		



REGAL-BELOIT CORPORATION
FORTWAYNE, INDIANA

TITLE: **MOTOR OUTLINE**
(CUSTOMER NAME : FASCO)

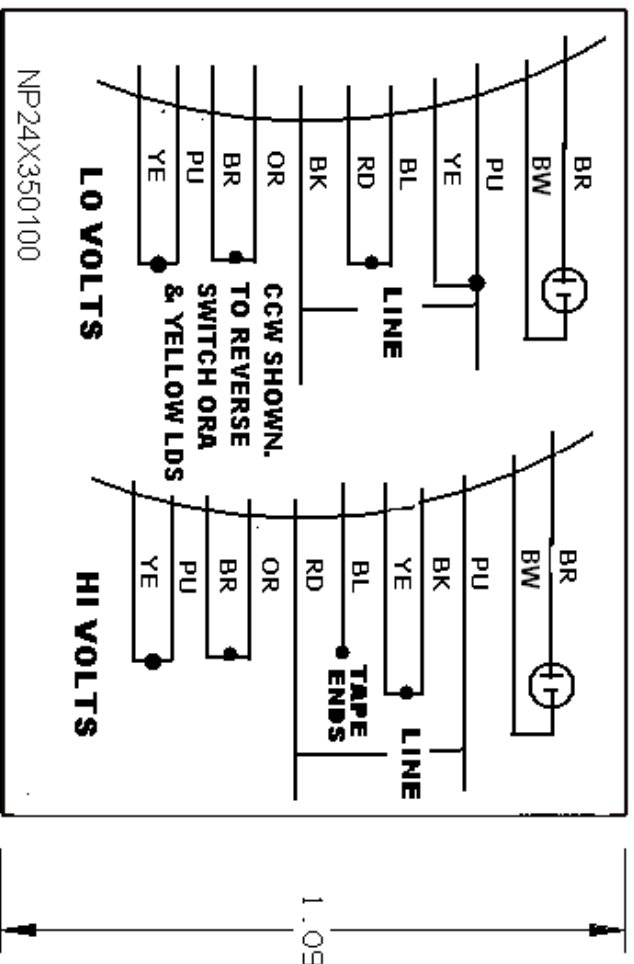
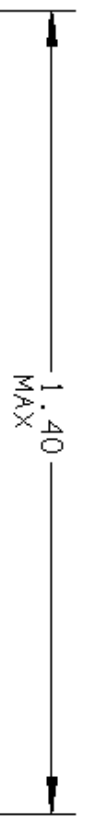
SIZE DRAWING: **B** **5KCP39MFBB46S** REV **3**

SCALE: NO ISSUED: 5/7/09 SHEET 1 of 1

880 PROPRIETARY STATEMENT

The document is the property of REGAL-BELOIT Corporation ("880") including its subsidiaries and divisions and contains proprietary information of 880. The document is loaned on the express condition that neither it nor the information contained therein shall be disclosed to others without the express written consent of 880, and that the information shall be used by the recipient only as approved expressly by 880. The document shall be returned to 880 upon its request. The document may be subject to certain restrictions under the U. S. export control law and regulations.

REV	DESCRIPTIONS
1.	BW CAP LD ADDED 08/25/09 AVL



TYPE FACE: COLORS OR NUMBERS DENOTING LEAD IDENTIFICATION AND N.P. NUMBER ARE TO BE 18 POINT NEWS GOTHIC CONDENSED. OTHER INFORMATION SHOULD BE 18 POINT IF SPACE ALLOWS, OTHERWISE USE 14 POINT.

MATERIALS: 4 MIL WHITE VINYL ADHESIVE STOCK GE SPEC A50FG41-S1
BLACK INK GE SPEC A50FM48

NOTE: THE BOX LINES AND DIMENSIONS REPRESENT THE SIZE OF THE TAPE TO BE USED. DO NOT INCLUDE THESE IN STAMP FORMAT.



CONNECTION DIAGRAM

FILE:	DPC #	ISSUED	SCALE
NP24X350100		NT 7/9/09	NO