

PRODUCT INFORMATION PACKET



Model No: 3730
Catalog No: 3730
1/2 HP Condenser Fan Motor, 1075 RPM, 208-230 Volts, 48 Frame, TEAO
Condenser Fans Motors



Regal and Genteq are trademarks of Regal Beloit Corporation or one of its affiliated companies.
©2020 Regal Beloit Corporation, All Rights Reserved. MC017097E





Nameplate Specifications

| | | | |
|--------------------|---------------------|---------------------|---------------------------|
| Output HP | 1/2 Hp | Output KW | 0.37 kW |
| Frequency | 60 Hz | Voltage | 208-230 V |
| Current | 3.50 A | Speed | 1075 rpm |
| Service Factor | 1 | Phase | 1 |
| Duty | Continuous Air Over | Insulation Class | B |
| Frame | 48 | Enclosure | Totally Enclosed Air Over |
| Thermal Protection | Thermally Protected | Ambient Temperature | 60 °C |
| UL | Recognized | CSA | Y |
| CE | N | | |

Technical Specifications

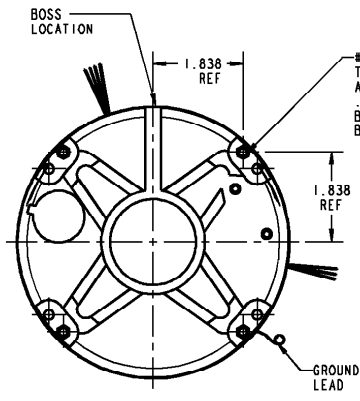
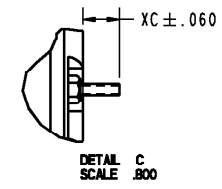
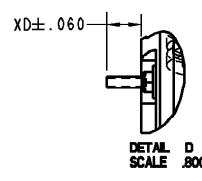
| | | | |
|-----------------------|---------------------------|----------------------|----------------|
| Electrical Type | Permanent Split Capacitor | Poles | 6 |
| Rotation | Reversible | Mounting | Round |
| Motor Orientation | Any | Drive End Bearing | Sleeve |
| Opp Drive End Bearing | Sleeve | Frame Material | Rolled Steel |
| Shaft Type | Flat | Overall Length | 12.21 in |
| Frame Length | 5.07 in | Shaft Diameter | 0.500 in |
| Shaft Extension | 6.00 in | Thru-bolts Extension | 0.75 in |
| Connection Drawing | NP24X327691 | Outline Drawing | 5KCP39PGS618AS |

This is an uncontrolled document once printed or downloaded and is subject to change without notice. Date Created:06/11/2020

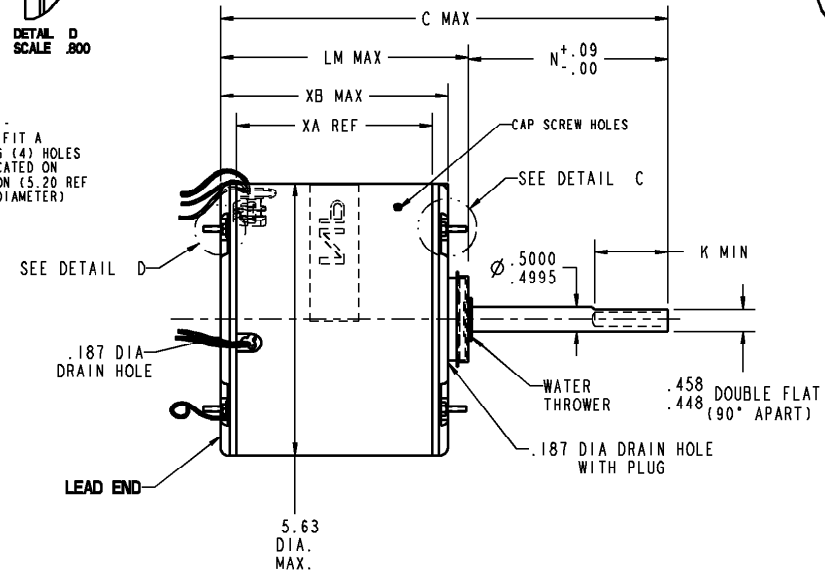
DATE: 07-Dec-11 18:25:40

OBJECT: 5KCP39PGS618AS

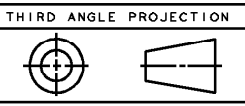
NAME: 100020344



#8-32 THREAD - THESE SCREWS FIT A GAGE HAVING (4) HOLES .1910 DIA LOCATED ON BASIC POSITION (.520 REF BOLT CIRCLE DIAMETER)



NOTE:
1. DIMENSIONS SHOWN ARE NOMINAL UNLESS OTHERWISE SPECIFIED.



| QTY | CONNECTION | COLOR | END TYPE | EXIT LOC (REVISED) LB | QTY | MATERIAL | WALL THK | LENGTH | TERMINATION |
|-----|-----------------|-----------|----------------|-----------------------|-----|---------------|----------|--------|------------------------|
| 1 | COMMON LEAD | YELLOW | 4-5 LD BUSHING | 3:20 | 18 | THERMOPLASTIC | 4/64 | 26.00 | .50 BWS |
| 2 | REV LEAD | YELLOW | 4-5 LD BUSHING | 11:20 | 18 | THERMOPLASTIC | 4/64 | 5.00 | .25 MALE 1SDC |
| 3 | CAPACITOR LEAD | BROWN/WHY | 4-5 LD BUSHING | 3:20 | 18 | THERMOPLASTIC | 4/64 | 26.00 | .25 FOC |
| 4 | REV LEAD | ORANGE | 4-5 LD BUSHING | 11:20 | 18 | THERMOPLASTIC | 4/64 | 5.00 | .25 MALE 1SDC |
| 5 | CAPACITOR LEAD | BROWN | 4-5 LD BUSHING | 3:20 | 18 | THERMOPLASTIC | 4/64 | 26.00 | .25 FOC |
| 6 | REV LEAD | BROWN | 4-5 LD BUSHING | 11:20 | 18 | THERMOPLASTIC | 4/64 | 5.00 | .25 FISDC LD INS FORCE |
| 7 | HIGH SPEED LEAD | BLACK | 4-5 LD BUSHING | 3:20 | 18 | THERMOPLASTIC | 4/64 | 26.00 | .50 BWS |
| 8 | REV LEAD | PURPLE | 4-5 LD BUSHING | 11:20 | 18 | THERMOPLASTIC | 4/64 | 5.00 | .25 FISDC LD INS FORCE |
| 9 | GROUND | GRN-YEL | CLAMPSCREW | 4:30 | 18 | THERMOPLASTIC | 2/64 | 12.00 | #10 EYELET PREW |

| NAMEPLATE DATA | |
|----------------|-------------------------------|
| MODEL | 5KCP39PGS618AS |
| CUST P/N | STOCK NO 3730 |
| HP | 1/2 |
| RPM | 1075 |
| VOLTS | 208-230 |
| HZ | 60 |
| * SPEEDS | 1 |
| AMPS | 3.50 |
| CAP REVD-1 | 10.00µfd/370Vdlts |
| CAP REVD-2 | N/R |
| CONN DRW | NP24X327691 |
| ROTATION | CCW/CW (VIEWED FROM LEAD END) |

| | | | | | | | | |
|-------|------|------|-----|-----|------|------|------|--|
| | .75 | .75 | | | | | | |
| | XC | XD | | | | | | |
| 12.21 | 6.00 | 5.50 | N/A | N/A | 6.14 | 5.07 | 5.73 | |
| C | N | K | XN | XK | LM | XA | XB | |

REGAL
ELECTRIC

REGAL-BELOIT CORPORATION
FORTWAYNE, INDIANA

TITLE: **MOTOR OUTLINE**
(CUSTOMER NAME : DEF PUR)

SIZE: B DRAWING: **5KCP39PGS618AS** REV: 1

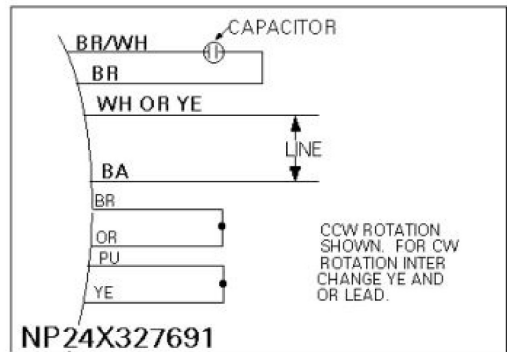
SCALE: NO ISSUED: 12/07/11 SHEET 1 of 1

CONFIDENTIAL AND PROPRIETARY

This document is the property of General Electric Company and contains proprietary and confidential information of the Motor Business Group (MBG). The document is issued on the express condition that neither it nor the information contained herein shall be disclosed to others without the express consent of MBG and that the information shall be used by the recipient only, as approved expressly by MBG. Also, the document shall be returned to MBG upon its request.

| REVISIONS | |
|-----------|-------------------------|
| REV | DESCRIPTION |
| 1 | CAS 9/29/00 ELEC FORMAT |

Uncontrolled Copy



NP24X327691

GENERAL ELECTRIC
 MOTOR BUSINESS GROUP FORT WAYNE, INDIANA

| | | | | |
|-------|-------|--------------|-------------|-------|
| FILE: | DPC # | NP 24X327691 | ISSUED | SCALE |
| | | | CAS 4/29/94 | 4/0 |