

PRODUCT INFORMATION PACKET



Model No: 3205
Catalog No: 3205
1/3 HP Condenser Fan Motor, 825 RPM, 208-230 Volts, 48 Frame, TEAO
Condenser Fans Motors



Regal and Genteq are trademarks of Regal Beloit Corporation or one of its affiliated companies.
©2019 Regal Beloit Corporation, All Rights Reserved. MC017097E





Nameplate Specifications

Output HP	1/3 Hp	Frequency	60 Hz
Voltage	208-230 V	Current	1.90 A
Speed	825 rpm	Service Factor	1
Phase	1	Duty	Continuous Air Over
Insulation Class	B	Frame	48
Enclosure	Totally Enclosed Air Over	Thermal Protection	Thermally Protected
Ambient Temperature	40 °C	UL	Recognized
CSA	Y	CE	N

Technical Specifications

Electrical Type	Permanent Split Capacitor	Poles	8
Rotation	Reversible	Mounting	Extended Studs
Motor Orientation	Any	Drive End Bearing	Ball
Opp Drive End Bearing	Ball	Frame Material	Rolled Steel
Shaft Type	Double Flat	Overall Length	11.81 in
Frame Length	5.07 in	Shaft Diameter	0.500 in
Shaft Extension	6.00 in	Thru-bolts Extension	0.75 in

This is an uncontrolled document once printed or downloaded and is subject to change without notice. Date Created:25/10/2019

Uncontrolled Copy

SIZE B DRAWING NO.

5KCP39NFBA52S

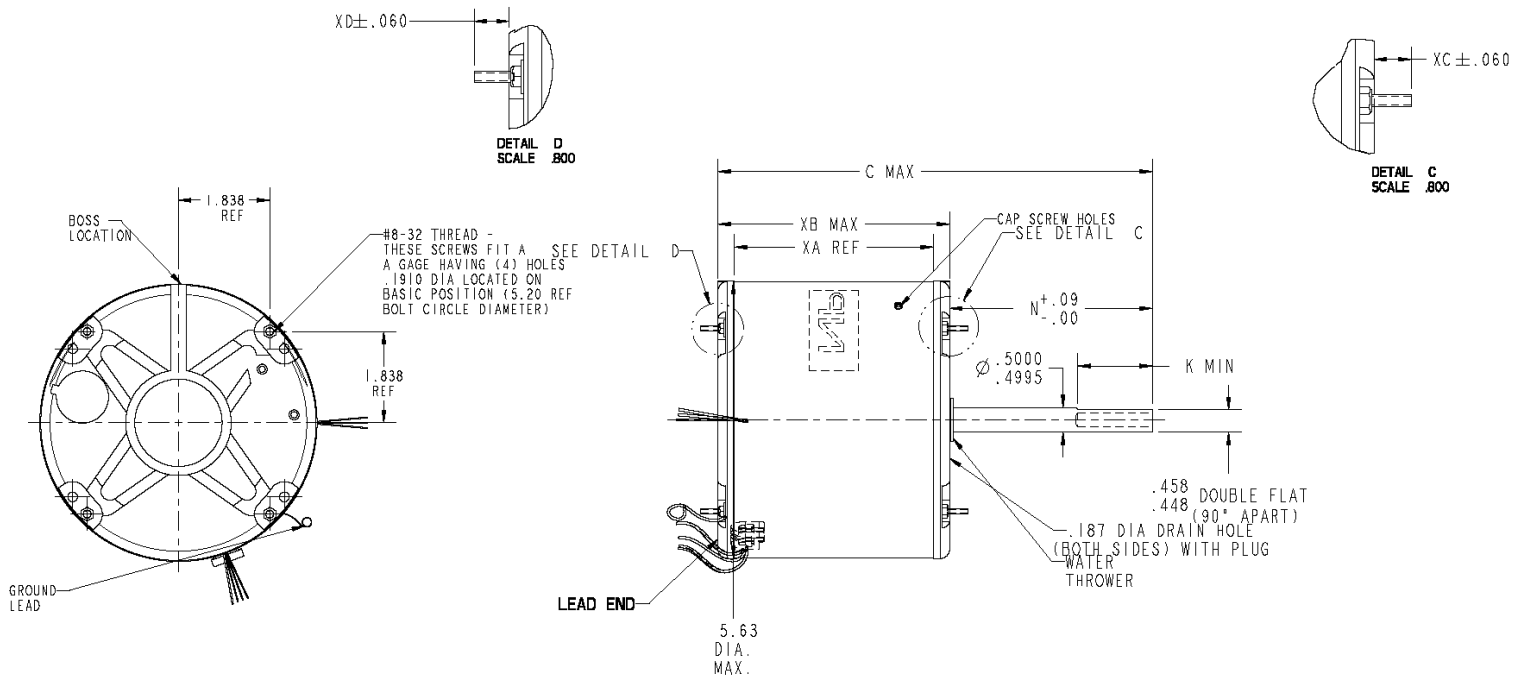
REV 3

SHEET 1

VENTILATION SYSTEM	
SHELL VENTS	CLOSED
ENDSHIELD (OPP. LEAD END)	CLOSED
ENDSHIELD (LEAD END)	CLOSED

RBC PROPRIETARY AND CONFIDENTIAL INFORMATION
 This document is the property of REGAL BELOIT CORPORATION ("RBC") including its subsidiaries and divisions and contains proprietary information of RBC. This document is loaned on the express condition that neither it nor the information contained herein shall be disclosed to others without the express written consent of RBC, and that the information shall be used by the recipient only as approved expressly by RBC. This document shall be returned to RBC upon its request. This document may be subject to certain restrictions under U.S. export control laws and regulations.

REVISIONS			
REV.	DESCRIPTION	DATE	APPROVED
2	STOCK NO ADDED	05/23/07	JS
3	REVERSIBLE LEAD LENGTH REDUCED PER IS-07-1903	08/30/07	S.KARTHIK



NOTE:
 1. DIMENSIONS SHOWN ARE NOMINAL UNLESS OTHERWISE SPECIFIED.

	.75	.75					
	XC	XD					
11.81	6.00	5.50	N/A	N/A	N/A	5.07	5.73
C	N	K	XN	XK	LM	XA	XB

S/N	CONNECTION	COLOR	EXIT TYPE	EXIT LDC (MIN/ID)	GAGE	MATERIAL	WALL THK	LENGTH	TERMINATION
1	COMMON LEAD	YELLOW	4-5 LD BUSHING	3:00	18	THERMOPLASTIC	4/64	28.00	.50 BWS
2	REV LEAD	YELLOW	4-5 LD BUSHING	5:20	18	EPDM	2/64	3.00	.25 MALE 1SGC
3	CAPACITOR LEAD	BRN/WHT	4-5 LD BUSHING	3:00	18	THERMOPLASTIC	4/64	28.00	.25 FOC
4	REV LEAD	ORANGE	4-5 LD BUSHING	5:20	18	EPDM	2/64	3.00	.25 MALE 1SGC
5	CAPACITOR LEAD	BROWN	4-5 LD BUSHING	3:00	18	THERMOPLASTIC	4/64	28.00	.25 FOC
6	REV LEAD	BROWN	4-5 LD BUSHING	5:20	18	EPDM	2/64	3.00	.25 FISOC LO INS FORCE
7	HIGH SPEED LEAD	BLACK	4-5 LD BUSHING	3:00	18	THERMOPLASTIC	4/64	28.00	.50 BWS
8	REV LEAD	PURPLE	4-5 LD BUSHING	5:20	18	EPDM	2/64	3.00	.25 FISOC LO INS FORCE
9	GROUND	GRN-YEL	CLAMPSCREW	4:30	18	THERMOPLASTIC	2/64	12.00	#10 EYELET

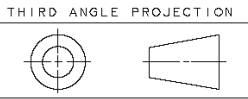
NAMEPLATE DATA	
MODEL	SKCP39NFBA52S
CUST P/N	STOCK NO. 3205
HP	1/3
RPM	825
VOLTS	208-230
HZ	60
SPEEDS	1
AMPS	1.90
CAP RECD-1	10.00µfd/370Volts
CAP RECD-2	N/R
CONN DRW*	NP24X327691
ROTATION	CCW/CW (VIEWED FROM LE EYELET)

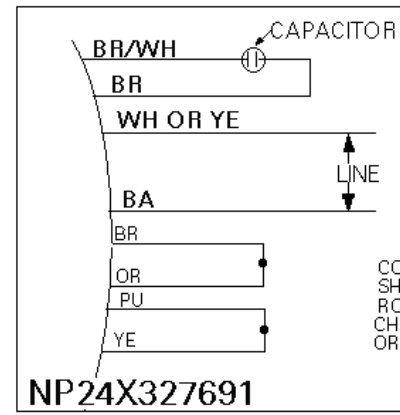
REGAL BELOIT REGAL-BELOIT CORPORATION
 FORTWAYNE, INDIANA

TITLE: **MOTOR OUTLINE**
 (CUSTOMER NAME : DEF PUR)

SIZE DRAWING: B
 DRAWING NO: 5KCP39NFBA52S
 REV: 3

SCALE: NO ISSUED: 08/30/07 SHEET 1 of 1





FILE:	DPC #
-------	-------