

PRODUCT INFORMATION PACKET



Model No: 3201
Catalog No: 3201
1/10 HP Condenser Fan Motor, 825 RPM, 208-230 Volts, 48 Frame, TEAO
Condenser Fans Motors



Regal and Genteq are trademarks of Regal Beloit Corporation or one of its affiliated companies.
©2020 Regal Beloit Corporation, All Rights Reserved. MC017097E





Nameplate Specifications

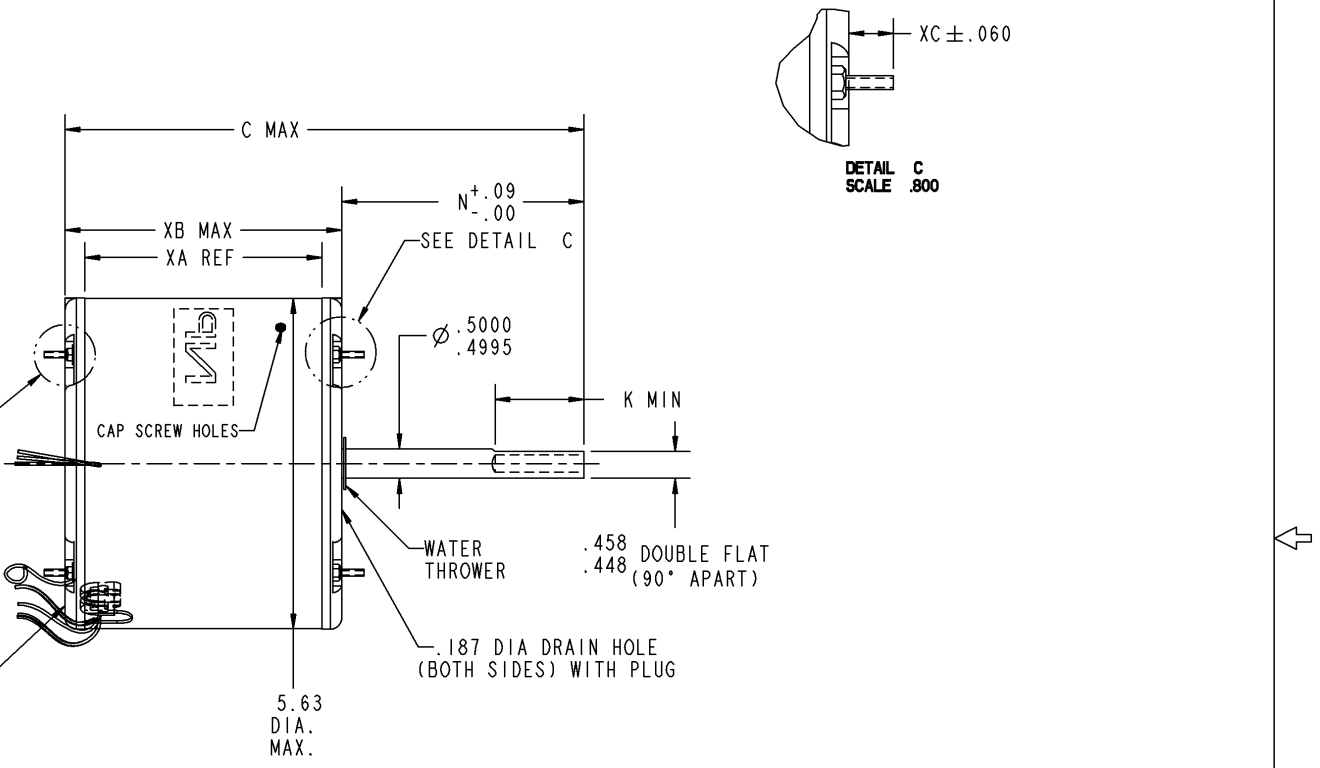
Output HP	1/10 Hp	Output KW	0.07 kW
Frequency	60 Hz	Voltage	208-230 V
Current	0.70 A	Speed	825 rpm
Service Factor	1	Phase	1
Duty	Continuous Air Over	Insulation Class	B
Frame	48	Enclosure	Totally Enclosed Air Over
Thermal Protection	Thermally Protected	Ambient Temperature	60 °C
UL	Recognized	CSA	Y
CE	N		

Technical Specifications

Electrical Type	Permanent Split Capacitor	Poles	8
Rotation	Reversible	Mounting	Extended Studs
Motor Orientation	Vertical Shaft Down	Drive End Bearing	Ball
Opp Drive End Bearing	Ball	Frame Material	Rolled Steel
Shaft Type	Double Flat	Overall Length	10.31 in
Frame Length	3.57 in	Shaft Diameter	0.500 in
Shaft Extension	6.00 in	Thru-bolts Extension	0.75 in
Connection Drawing	NP24X327691	Outline Drawing	5KCP39CFBA77S

This is an uncontrolled document once printed or downloaded and is subject to change without notice. Date Created:06/11/2020

Uncontrolled Copy	SIZE	DRAWING NO.	REV	SHEET												
	B	5KCP39CFBA77S	0	1												
PROPRIETARY AND CONFIDENTIAL INFORMATION <small>ent is the property of REGAL BELOIT CORPORATION ("RBC") including subsidiaries and divisions and contains proprietary information of RBC. ent is loaned on the express condition that neither it nor the n contained therein shall be disclosed to others without the express nent of RBC, and that the information shall be used by the recipient roved expressly by RBC. This document shall be returned to RBC upon t. This document may be subject to certain restrictions under U.S. nrol laws and regulations.</small>			REVISIONS <table border="1"> <thead> <tr> <th>REV.</th> <th>DESCRIPTION</th> <th>DATE</th> <th>APPROVED</th> </tr> </thead> <tbody> <tr> <td>0</td> <td></td> <td></td> <td></td> </tr> <tr> <td></td> <td></td> <td></td> <td></td> </tr> </tbody> </table>		REV.	DESCRIPTION	DATE	APPROVED	0							
REV.	DESCRIPTION	DATE	APPROVED													
0																



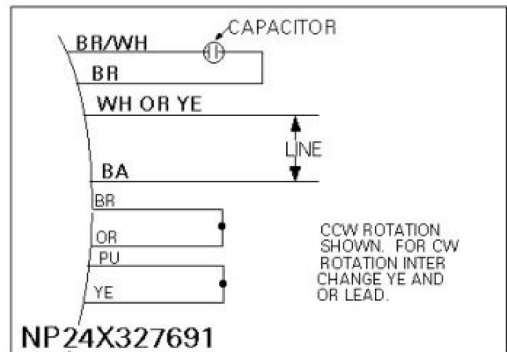
.75	.75
XC	XD

CONFIDENTIAL AND PROPRIETARY

This document is the property of General Electric Company and contains proprietary and confidential information of the Motor Business Group (MBG). The document is signed in the express conditions that neither it nor the information contained herein shall be disclosed to others without the express consent of MBG and that the information shall be used by the recipient only, as approved expressly by MBG. Also, the document shall be returned to MBG upon its request.

REVISIONS	
REV	DESCRIPTION
1	CAS 9/29/00 ELEC FORMAT

Uncontrolled Copy



GENERAL ELECTRIC
MOTOR BUSINESS GROUP FORT WAYNE, INDIANA

FILE:	DPC #	ISSUED	SCALE
		NP 24X327691 CAS 4/29/94	4/10