

PRODUCT INFORMATION PACKET



Model No: 98

Catalog No: 98

1/8-1/10-1/12 HP OEM Replacement Motor, 1050 RPM, 3 Speed, 115 Volts, 42 Frame, OAO
HVAC/R OEM Replacement Motors



Regal and Century are trademarks of Regal Beloit Corporation or one of its affiliated companies.
©2020 Regal Beloit Corporation, All Rights Reserved. MC017097E





Nameplate Specifications

Output HP	1/8, 1/10, 1/12 Hp	Output KW	0.10 kW
Frequency	60 Hz	Voltage	115 V
Current	5.1 A	Speed	1050 rpm
Service Factor	1	Phase	1
Duty	Continuous Air Over	Insulation Class	A
Frame	42	Enclosure	Open Air Over
Thermal Protection	Automatic	Ambient Temperature	40 °C
UL	Recognized	CSA	Y
CE	N		

Technical Specifications

Electrical Type	Shaded Pole	Starting Method	Across The Line
Poles	6	Rotation	Clockwise Shaft End
Mounting	Round Belly Band	Motor Orientation	Horizontal
Drive End Bearing	Sleeve	Opp Drive End Bearing	Sleeve
Frame Material	Rolled Steel	Shaft Type	Flat
Overall Length	7.96 in	Frame Length	3.67 in
Shaft Diameter	0.500 in	Shaft Extension	6.44 in
Outline Drawing	DA3F7675-S01		

This is an uncontrolled document once printed or downloaded and is subject to change without notice. Date Created:27/05/2020

4

3

2

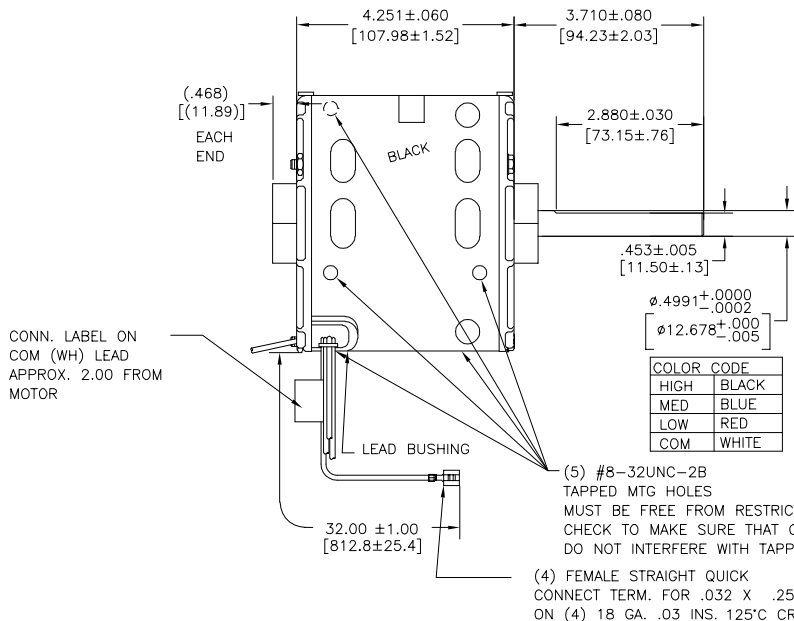
1

CUSTOMER IS SOLELY RESPONSIBLE FOR MOTOR PERFORMANCE AND SUITABILITY IN APPLICATIONS FOR CUSTOMER'S USES.

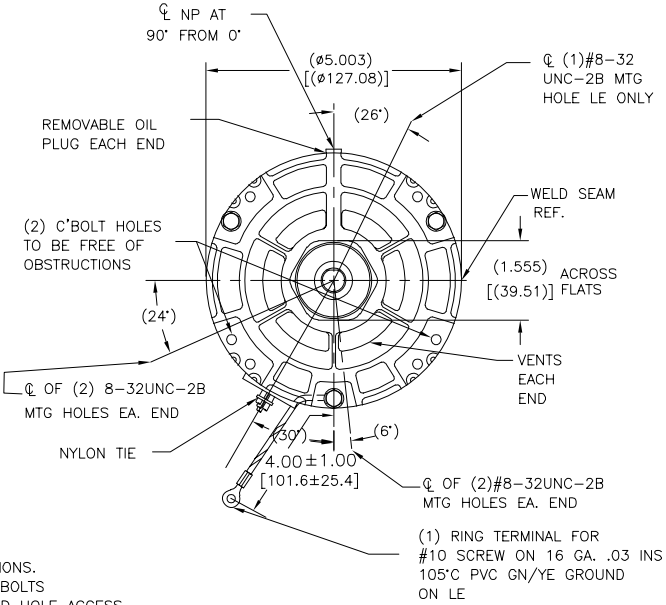
DA3F7675N#

REV	ECO	REV BY	DATE	APPD	DATE
E	0028994	I.LORTIZ	10-16-2012	M.AVILA	10-16-2012

END PLAY .005[.13] MIN - .040[1.02] MAX
 MAX. SHAFT RUN OUT .001[.03] PER INCH
 MAX. RUN OUT NOT TO EXCEED .0075[.191]

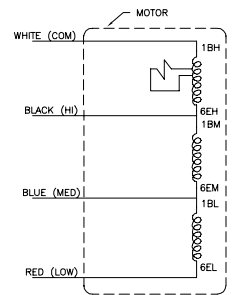


COLOR CODE	
HIGH	BLACK
MED	BLUE
LOW	RED
COM	WHITE



- (5) #8-32UNC-2B TAPPED MTG HOLES MUST BE FREE FROM RESTRICTIONS. CHECK TO MAKE SURE THAT C'BOLTS DO NOT INTERFERE WITH TAPPED HOLE ACCESS
- (4) FEMALE STRAIGHT QUICK CONNECT TERM. FOR .032 X .250 TAB ON (4) 18 GA. .03 INS. 125°C CROSS LINKED LEADS

ELECTRICALLY PER SAMPLE S-718E-1



SCHEMATIC-274

ROT.: - CCWLE-CWSE

NAMEPLATE DATA: **Century** TIPP CITY, OHIO THERMALLY PROTECTED

SER. DATE & MOD PLT LIR MOD DA3F75N# STK NO 98
 VOLTS 115 HZ 60 AMPS 5.1
 RPM 1050 SP3 PH1 CAP
 INS CL AMB °C HP CONT A.O. ←ROTATION←
 BRG SLV BK-HI 5.1A 1/8HP
 BU-MED 3.5A 1/10HP
 RD-LO 3.0A 1/12HP
 WH-COM
 ASSEMBLED IN MEXICO

SAFETY WARNING
 63T7433-210

GEOMETRIC CHARACTERISTICS & SYMBOLS

- FLATNESS
- STRAIGHTNESS
- ∠ ANGULARITY
- ⊥ PERPENDICULARITY (SQUARENESS)
- // PARALLELISM
- ROUNDNESS (CIRCULARITY)
- ⊘ CYLINDRICITY
- ~ PROFILE OF ANY SURFACE
- ~ PROFILE OF ANY LINE
- ⊕ RUNOUT
- ⊕ TRUE POSITION
- ⊙ CONCENTRICITY
- ≡ SYMMETRY

ASME Y14.5M 1994

UNLESS OTHERWISE SPECIFIED DIM. TOLERANCES ARE AS FOLLOWS:

INCH	±.1	±.02	±.005	±.0005
mm	±0.5	±0.13	±0.013	

ANG. ±.50 DEG
 REMOVE BURRS & BREAK SHARP EDGES:
 INCH .003-.015 mm 0.1-.04
 CORNER FILLETS TO:
 INCH .020 mm 0.5
 MACHINE SURFACES:
 INCH 125 mm 3.2

METRIC DIMS. SHOWN IN [BRACKETS]

DR BY:	DLC	10-16-1998
APPD:	DRB	
THIRD ANGLE PROJECTION		EDS DATE 11-11-2011 FORMAT REV H
CONFIDENTIAL: THIS DRAWING AND ITS INFORMATION ARE THE EXCLUSIVE AND CONFIDENTIAL PROPERTY OF REGAL-BELOIT CORPORATION AND ARE NOT TO BE DISCLOSED, DUPLICATED, DISTRIBUTED OR OTHERWISE USED WITHOUT THE WRITTEN CONSENT OF REGAL-BELOIT CORPORATION. -ALL RIGHTS RESERVED.		

REGAL REGAL-BELOIT CORPORATION	
DESCRIPTION MODEL-RFHP-42FR OUTLINE	
SIZE C	DWG NO DA3F7675
SCALE NONE	SHEET 1

4

3

2

1

4

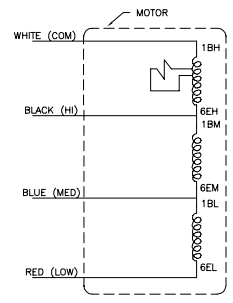
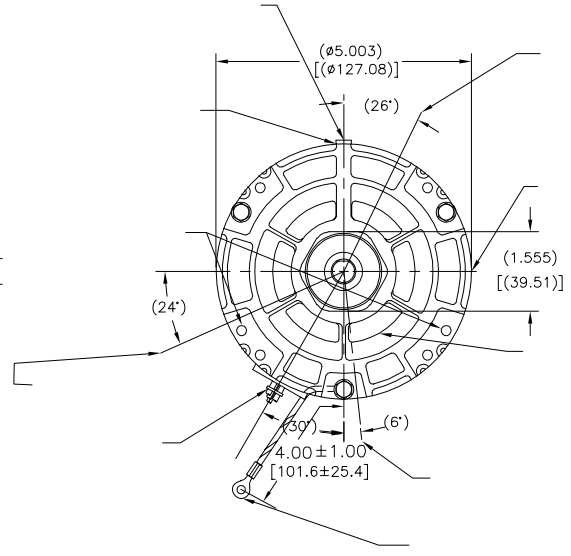
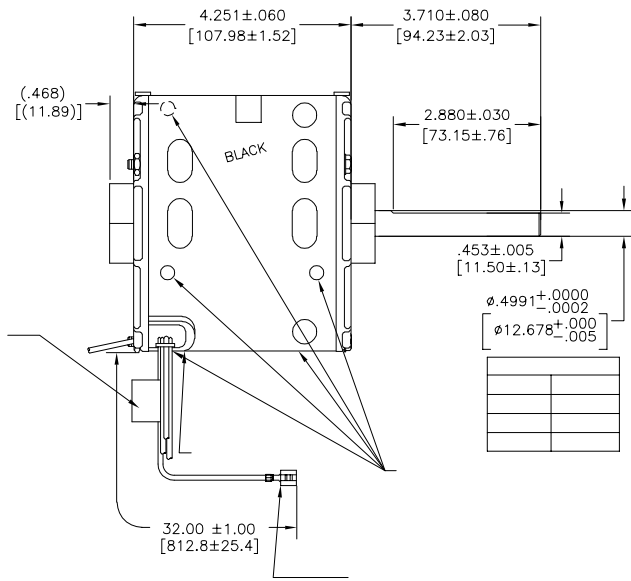
3

2

1

DA3F7675N#

REVISION: ECO	REVISADO POR: I.LORTIZ	FECHA: 10-16-2012	APROBADO POR: M.AVILA	FECHA: 10-16-2012
E	0028994			



SCHEMATIC-274

ROT.: - CCWLE-CWSE

NAMEPLATE DATA: **Century** TIPP CITY, OHIO THERMALLY PROTECTED
 SER. DATE & PO# PLT LIR MOD DA3F75N# STK NO 98
 VOLTS 115 HZ 60 AMPS 5.1
 RPM1050 SP3 PH1 CAP
 INS CL AMB °C HP CONT A.O. ← ROTATION ←
 BRG SLV BK-HI 5.1A 1/8HP
 BU-MED 3.5A 1/10HP
 RD-LO 3.0A 1/12HP
 WH-COM
 ASSEMBLED IN MEXICO

SAFETY WARNING
63T7433-210

CARACTERÍSTICAS DE GEOMETRIA Y SIMBOLOS
 ▽ PLANICIDAD
 ⊥ RECTITUD
 ∠ ANGULARIDAD
 ⊥ PERPENDICULARIDAD (A ESQUADRA)
 // PARALELISMO
 ○ REDONDEZ (CIRCULARIDAD)
 A CILINDRICIDAD
 ⊖ PERFIL DE CUALQUIER SUPERFICIE
 ⊖ PERFIL DE CUALQUIER LINEA
 † VARIACION
 ⊕ POSICION REAL
 ⊙ CONCENTRICIDAD
 ≡ SIMETRIA
 ASME Y14.5M 1994

A MENOS QUE SE ESPECIFIQUE DE OTRA MANERA, LAS TOLERANCIAS DE LAS DIMS: SON LAS SIGUIENTES:
 PULG ±.1 ±.02 ±.005 ±.0005
 mm ±0.5 ±0.13 ±.005 ±.013
 ANG. ±50 GRADOS
 ELIMINAR REBASAS Y ORILLAS FILOSAS DEL BORDE.
 PULG .003-.015 mm 0.1-0.4
 FILETEAR ESQUINA: PULG .020 mm 0.5
 MAQUINAR SUPERFICIES
 PULG .125 mm .32

DIMS METRICAS MOSTRADAS [PARENTESIS]

DIBUJADO POR: DLC 10-16-1998
 APROBADO POR: DRB
 TERCER ANGULO DE PROYECCION
 FECHA EDS: 11-11-2011
 REV. FORMATO: H
 CONFIDENCIAL: ESTE DIBUJO Y SU INFORMACION SON PROPIEDAD DE USO EXCLUSIVO Y CONFIDENCIAL DE REGAL-BELOIT CORPORATION. Y NO DEBERAN SER REVELADOS, DUPLICADOS, DISTRIBUIDOS O USARSE DE OTRA MANERA SIN EL CONSENTIMIENTO ESCRITO DE REGAL-BELOIT CORPORATION. -TODOS LOS DERECHOS RESERVADOS.

REGAL REGAL-BELOIT CORPORATION
 DESCRIPCION: MODEL-RFHP-42FR OUTLINE
 TAMANO: C NUMERO DE DIBUJO: DA3F7675
 ESCALA: NONE HOJA: 1

4

3

2

1

4

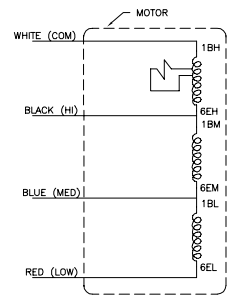
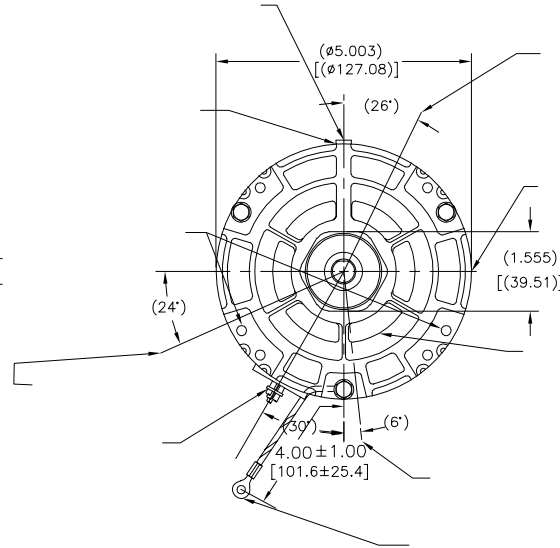
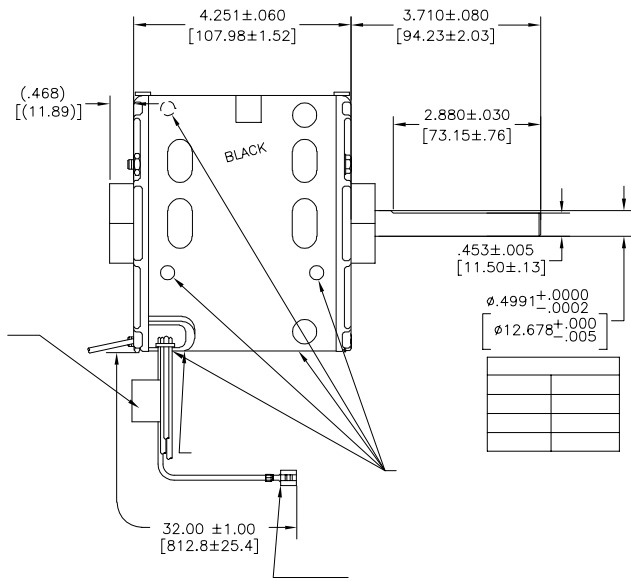
3

2

1

DA3F7675N#

版本	ECO	编制	日期	核准	日期
E	0028994	LORTIZ	10-16-2012	M.AVILA	10-16-2012



SCHEMATIC-274

ROT.: - CCWLE-CWSE

NAMEPLATE DATA:



TIPP CITY, OHIO
 SER. DATE & POINT LTR MOD DA3F675N# STK NO 98
 VOLTS 115 HZ 60 AMPS 5.1
 RPM1050 SP3 PH1 CAP
 INS CL AMB °C HP CONT A.O. ←ROTATION←
 BRG SLV BK-HI 5.1A 1/8HP
 BU-MED 3.5A 1/10HP
 RD-LO 3.0A 1/12HP
 WH-COM
 ASSEMBLED IN MEXICO

SAFETY WARNING
 63T7433-210

- 形位公差
- 平面度
- 直线度
- ∠ 倾斜度
- ⊥ 垂直度
- // 平行度
- 圆度
- ⊙ 圆柱度
- ⌒ 圆弧半径度
- ⌀ 轮廓圆度
- ⊕ 圆跳动
- ⊖ 位置度
- ⊙ 同轴度
- ⊥ 对称度

ASME Y14.5M 1994

除另有注明
 尺寸公差如下:
 英寸 X XX XXX XXXX
 毫米 ±.1 ±.02 ±.005 ±.0005
 毫米 ±0.5 ±0.13 ±0.013
 角度 ±.50 度
 清理毛刺和尖棱
 *英寸 .003-.015 毫米 0.1-0.4
 内圆角
 英寸 .020 毫米 0.5
 表面粗糙度
 英寸 125 微米 3.2
 米制尺寸显示在L

除阴:

DLC	10-16-1998
批准:	DRB
第三角投影	图纸格式发布日期 11-11-2011 图纸格式版本 H
机密: 本图纸及相关信息所有权归REGAL-BELOIT CORPORATION 未经REGAL-BELOIT CORPORATION书面授权, 不得泄露、 复制、传播或作其他用途。--版权所有	

REGAL REGAL-BELOIT CORPORATION

MODEL-RFHP-42FR
 OUTLINE

名称	MODEL-RFHP-42FR OUTLINE	
图号	C	DA3F7675
比例	NONE	页号 1

4

3

2

1